

# JENN-AIR® BOTTOM MOUNT BUILT-IN REFRIGERATOR

REFRIGERADOR EMPOTRADO CON  
CONGELADOR EN LA PARTE INFERIOR  
DE JENN-AIR®

RÉFRIGÉRATEUR ENCASTRÉ AVEC  
CONGÉLATEUR EN BAS JENN-AIR®

---

## INSTALLATION GUIDE

For questions about features, operation/performance, parts, accessories, or service,  
call **1-800-JENNAIR (1-800-536-6247)** or visit our website at **www.jennair.com**.

In Canada, call **1-800-JENNAIR (1-800-536-6247)** or visit our website at **www.jennair.ca**.

---

## GUÍA DE INSTALACIÓN

Si tiene preguntas respecto a las características, funcionamiento, rendimiento, partes, accesorios o servicio técnico,  
llame al **1-800-JENNAIR (1-800-536-6247)** o visite nuestro sitio de internet: **www.jennair.com**.

En Canadá, llame al **1-800-JENNAIR (1-800-536-6247)** o visite nuestro sitio de internet: **www.jennair.ca**.

---

## GUIDE D'INSTALLATION

Au Canada, pour assistance, installation ou service, composez le **1-800-JENNAIR (1-800-536-6247)**  
ou visitez notre site Web à **www.jennair.ca**.

---

Table of Contents / Índice / Table des matières .....2

---

**JENN-AIR®**

**W10735232A**

# TABLE OF CONTENTS

<b>REFRIGERATOR SAFETY</b> .....	<b>3</b>	Standard Integrated Grille Installation Requirements .....	14
<b>36" SINGLE-DOOR MODELS</b> .....	<b>4</b>	Stainless Steel Panel Kit Installation Requirements.....	15
Accessories.....	4	Custom Wood Overlay Panel Requirements .....	15
<b>36" FRENCH DOOR MODELS</b> .....	<b>5</b>	Custom Wood Overlay Panel Dimensions .....	16
Accessories.....	5	<b>INSTALLATION INSTRUCTIONS</b> .....	<b>17</b>
<b>42" FRENCH DOOR MODELS</b> .....	<b>6</b>	Unpack the Refrigerator .....	17
Accessories.....	6	Move the Refrigerator into House .....	18
<b>INSTALLATION REQUIREMENTS</b> .....	<b>7</b>	Install Anti-Tip Boards .....	18
Tools and Parts.....	7	Connect the Water Supply .....	18
Location Requirements.....	8	Plug in Refrigerator .....	20
Electrical Requirements.....	9	Install Side Trims .....	20
Water Supply Requirements.....	10	Move Refrigerator to Final Location.....	21
Product Dimensions .....	10	Level and Align Refrigerator .....	21
Tipping Radius .....	11	Install Refrigerator and Panels .....	22
Door Swing Dimensions .....	12	Install Base Grille .....	27
Cabinet and Panel Installation Options .....	12	Complete Installation.....	27
Fully Integrated Grille Installation Requirements.....	13		

# ÍNDICE

<b>SEGURIDAD DEL REFRIGERADOR</b> .....	<b>29</b>	Requisitos para la instalación de la rejilla completamente incorporada .....	40
<b>MODELOS DE UNA PUERTA, DE 36"</b> .....	<b>30</b>	Requisitos para la instalación de la rejilla incorporada estándar .....	41
Accesorios .....	30	Requisitos de instalación del juego de paneles de acero inoxidable.....	41
<b>MODELOS DE DOS PUERTAS CON CONGELADOR EN LA PARTE INFERIOR, DE 36"</b> .....	<b>31</b>	Requisitos para los paneles de madera recubiertos a la medida .....	42
Accesorios .....	31	Dimensiones de los paneles de madera recubiertos a la medida.....	43
<b>MODELOS DE DOS PUERTAS CON CONGELADOR EN LA PARTE INFERIOR, DE 42"</b> .....	<b>32</b>	<b>INSTRUCCIONES DE INSTALACIÓN</b> .....	<b>44</b>
Accesorios .....	32	Desempaque el refrigerador.....	44
<b>REQUISITOS DE INSTALACIÓN</b> .....	<b>33</b>	Cómo introducir el refrigerador en la casa.....	45
Herramientas y piezas .....	33	Cómo instalar los tableros antivuelco.....	45
Requisitos de ubicación .....	34	Conexión del suministro de agua.....	46
Requisitos eléctricos.....	36	Cómo enchufar el refrigerador .....	47
Requisitos del suministro de agua .....	36	Instalación de las molduras laterales .....	48
Dimensiones del producto.....	37	Cómo mover el refrigerador a su ubicación final .....	48
Arco de vuelco .....	38	Nivelación y alineamiento del refrigerador .....	49
Medidas de oscilación de las puertas.....	38	Instalación del refrigerador y los paneles.....	49
Opciones para la instalación del armario y los paneles.....	39	Instalación de la rejilla de la base.....	56
		Complete la instalación .....	56

# TABLE DES MATIÈRES

<b>SÉCURITÉ DU RÉFRIGÉRATEUR</b> .....	<b>57</b>	Exigences d'installation d'une grille intégrée standard .....	69
<b>MODÈLES AVEC PORTE À BATTANT SIMPLE DE 36"</b> .....	<b>58</b>	Spécifications pour l'installation de l'ensemble de panneaux en acier inoxydable .....	69
Accessoires.....	58	Spécifications des panneaux en bois décoratifs personnalisés.....	70
<b>MODÈLES AVEC PORTE À DOUBLE BATTANT DE 36"</b> .....	<b>59</b>	Panneaux décoratifs en bois personnalisés - Dimensions.....	70
Accessoires.....	59	<b>INSTRUCTIONS D'INSTALLATION</b> .....	<b>72</b>
<b>MODÈLES AVEC PORTE À DOUBLE BATTANT DE 42"</b> .....	<b>60</b>	Déballage du réfrigérateur .....	72
Accessoires.....	60	Déplacement du réfrigérateur dans le domicile .....	72
<b>EXIGENCES D'INSTALLATION</b> .....	<b>61</b>	Installation de planches antibasculement .....	73
Outillage et pièces .....	61	Raccordement à l'alimentation en eau.....	73
Exigences d'emplacement .....	62	Branchement du réfrigérateur .....	75
Spécifications électriques.....	64	Installation des garnitures latérales.....	75
Spécifications de l'alimentation en eau.....	64	Déplacement du réfrigérateur à son emplacement définitif.....	76
Dimensions du produit.....	65	Réglage de l'aplomb et alignement du réfrigérateur.....	76
Rayon de basculement.....	66	Installation du réfrigérateur et des panneaux.....	77
Dimensions pour l'ouverture des portes .....	66	Installation de la grille de la base .....	83
Options d'installation du placard et du panneau .....	67	Achever l'installation .....	83
Exigences d'installation d'une grille totalement intégrée.....	68		

# REFRIGERATOR SAFETY

## Your safety and the safety of others are very important.

We have provided many important safety messages in this manual and on your appliance. Always read and obey all safety messages.



This is the safety alert symbol.

This symbol alerts you to potential hazards that can kill or hurt you and others.

All safety messages will follow the safety alert symbol and either the word "DANGER" or "WARNING."

These words mean:

**⚠ DANGER**

You can be killed or seriously injured if you don't immediately follow instructions.

**⚠ WARNING**

You can be killed or seriously injured if you don't follow instructions.

All safety messages will tell you what the potential hazard is, tell you how to reduce the chance of injury, and tell you what can happen if the instructions are not followed.

## ⚠ WARNING



### Tip Over Hazard

Refrigerator is top heavy and tips easily when not completely installed.

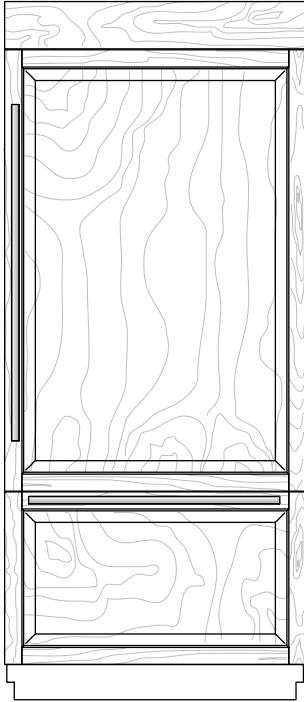
Keep doors taped closed until refrigerator is completely installed.

Use two or more people to move and install refrigerator.

Failure to do so can result in death or serious injury.

---

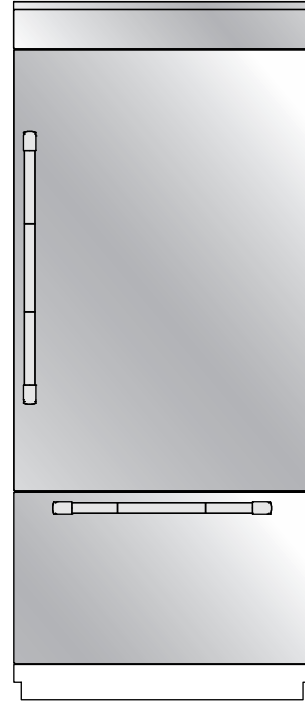
## 36" SINGLE-DOOR MODELS



### Custom-Made Panel Design

Features custom-made panels and custom hardware provided by the cabinetmaker for a seamless appearance designed to blend with existing kitchen cabinetry.

**Base Model Numbers:** JB36NFXLE, JB36NFXRE

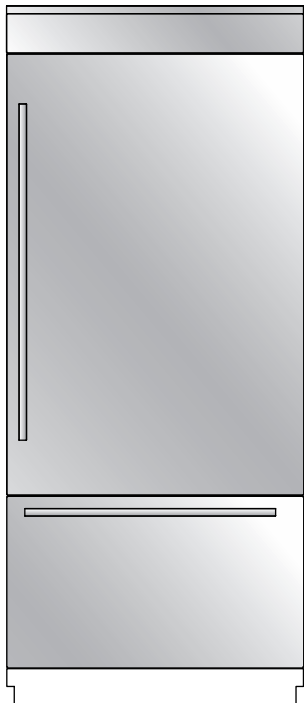


### Pro-Style® Stainless Design

Features stainless steel wrapped doors and Pro-Style® handles with diamond-etched grip.

**Base Model Numbers:** JB36NFXLE, JB36NFXRE

**Kit Model Number:** JPK36BNXEPS



### Euro-Style Stainless Design

Features stainless steel wrapped doors and new Euro-style handles designed to compliment the Jenn-Air® Euro kitchen suite or enhance any kitchen decor.

**Base Model Numbers:** JB36NFXLE, JB36NFXRE

**Kit Model Number:** JPK36BNXESS

---

## Accessories

All factory parts are available through your Jenn-Air dealer or by calling Jenn-Air at **1-800-JENNAIR (1-800-536-6247)**. In Canada, call **1-800-807-6777**.

### Door Handle Kits

For custom wood overlay panels only, handle kits can be ordered. Follow the kit instructions for installation.

**IMPORTANT:** These handle kits are not intended for use with stainless steel door panel kits.

**Pro-Style® Stainless Steel—BM—W10250641**

**Euro-Style Stainless Steel—BM—W10250638**

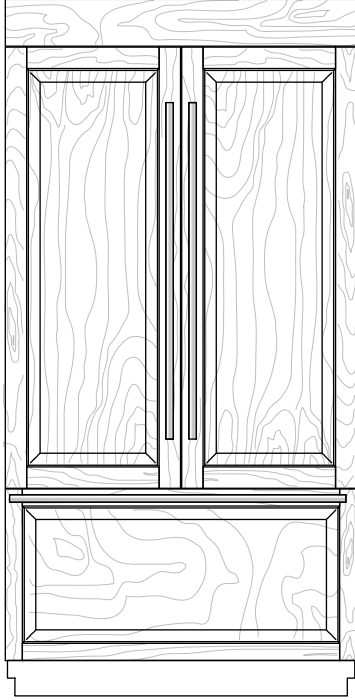
### Armoire-Style Door Panel Kit

Refer to the installation instructions that come with the Armoire kit, for custom wood overlay panel dimensions and installation details.

**36" Model (Black)—W10663562**

---

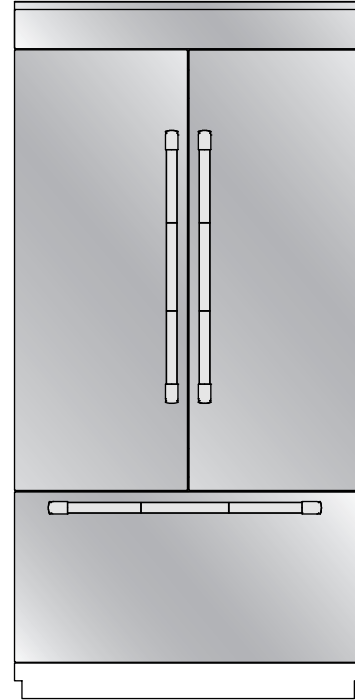
## 36" FRENCH DOOR MODELS



### Custom-Made Panel Design

Features custom-made panels and custom hardware provided by the cabinetmaker for a seamless appearance designed to blend with existing kitchen cabinetry.

**Base Model Number:** JF36NFXDE

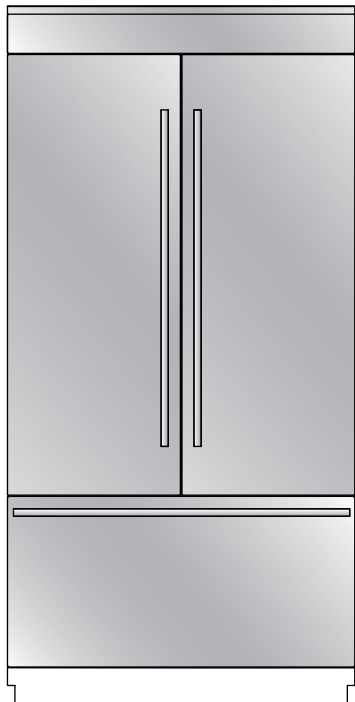


### Pro-Style® Stainless Design

Features stainless steel wrapped doors and Pro-Style® handles with diamond-etched grip.

**Base Model Number:** JF36NFXDE

**Kit Model Number:** JPK36FNXEPS



### Euro-Style Stainless Design

Features stainless steel wrapped doors and new Euro-style handles designed to compliment the Jenn-Air® Euro kitchen suite or enhance any kitchen decor.

**Base Model Number:** JF36NFXDE

**Kit Model Number:** JPK36FNXESS

---

## Accessories

All factory parts are available through your Jenn-Air dealer or by calling Jenn-Air at **1-800-JENNAIR (1-800-536-6247)**. In Canada, call **1-800-807-6777**.

### Door Handle Kits

For custom wood overlay panels only, handle kits can be ordered. Follow the kit instructions for installation.

**IMPORTANT:** These handle kits are not intended for use with stainless steel door panel kits.

**Pro-Style® Stainless Steel FDBM**—W10745429

**Euro-Style Stainless Steel FDBM**—W10745430

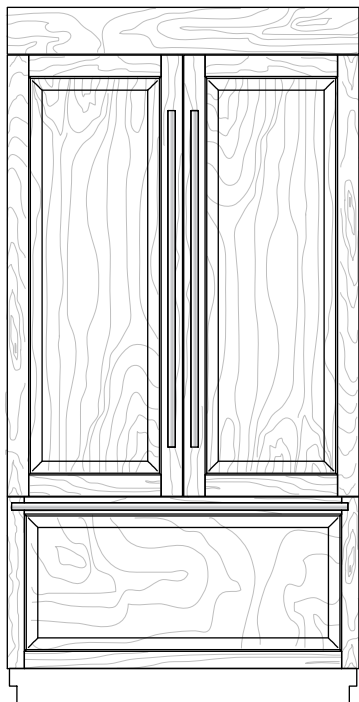
### Armoire-Style Door Panel Kit

Follow the kit instructions for installation.

**36" Model (Black)**—W10663562

---

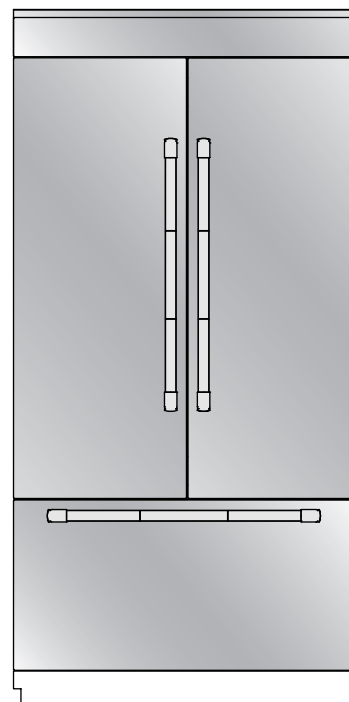
## 42" FRENCH DOOR MODELS



### Custom-Made Panel Design

Features custom-made panels and custom hardware provided by the cabinetmaker for a seamless appearance designed to blend with existing kitchen cabinetry.

**Base Model Number:** JF42NXFXDE

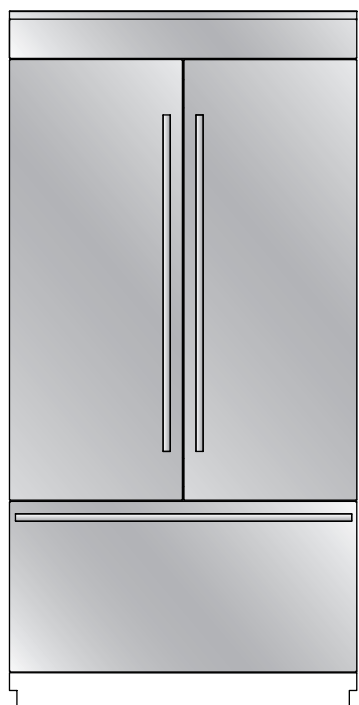


### Pro-Style® Stainless Design

Features stainless steel wrapped doors and Pro-Style® handles with diamond-etched grip.

**Base Model Number:** JF42NXFXDE

**Kit Model Number:** JPK42FNXEPS



### Euro-Style Stainless Design

Features stainless steel wrapped doors and new Euro-style handles designed to compliment the Jenn-Air® Euro kitchen suite or enhance any kitchen decor.

**Base Model Number:** JF42NXFXDE

**Kit Model Number:** JPK42FNXESS

---

## Accessories

All factory parts are available through your Jenn-Air dealer or by calling Jenn-Air at **1-800-JENNAIR (1-800-536-6247)**. In Canada, call **1-800-807-6777**.

### Door Handle Kits

For custom wood overlay panels only, handle kits can be ordered. Follow the kit instructions for installation.

**IMPORTANT:** These handle kits are not intended for use with stainless steel door panel kits.

**Pro-Style® Stainless Steel FDBM**—W10250642

**Euro-Style Stainless Steel FDBM**—W10250639

### Armoire-Style Door Panel Kit

Follow the kit instructions for installation.

**42" Model (Black)**—W10663564

# INSTALLATION REQUIREMENTS

## Tools and Parts

### IMPORTANT:

- Installer: Leave Installation Instructions with the homeowner.
- Homeowner: Keep Installation Instructions for future reference. Save these Installation Instructions for the local electrical inspector's use.

### Tools Needed:

Gather the required tools and parts before starting installation. Read and follow the instructions provided with any tools listed here.

- Cordless drill
- Drill bits
- Adjustable wrenches (2)
- Phillips screwdriver
- Small level
- $\frac{3}{32}$ " hex key (panel kits only)
- $\frac{1}{16}$ " nut driver
- $\frac{3}{8}$ " and  $\frac{1}{2}$ " open-end wrenches
- $\frac{5}{32}$ " and  $\frac{3}{16}$ " hex key
- $\frac{1}{4}$ " and  $\frac{5}{16}$ " socket drivers
- Tape measure
- Utility knife
- Tape (painters)
- Appliance dolly

### Parts Needed:

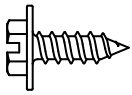

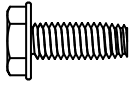
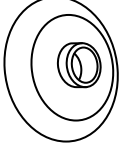
- #8 x 3" (7.6 cm) wood screws (longer screws may be needed) (6)
- 2" x 4" x 32" (5 cm x 10 cm x 81 cm) wood boards (2)
- Custom wood overlay panels—consult a qualified cabinetmaker or carpenter to make the custom wood panels. See "Custom Wood Overlay Panels" for more information.

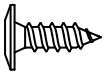

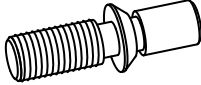
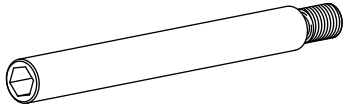
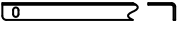
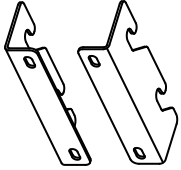
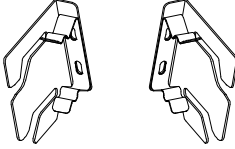



### OR

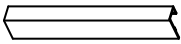
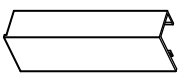
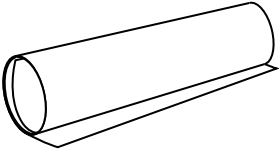

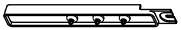
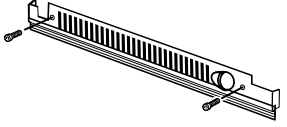
Panel kit—See "36" Models or 42" French Door Models" for panel kit information.

- Flexible, codes-approved water supply tubing, a ferrule, a union and a  $\frac{1}{4}$ " (6.35 mm) compression fitting.

### Parts Provided:

 <p>Slotted Hex-head Screw</p> <p><b>W10141645</b> (21)</p>	 <p>Hex-head Pointed Screw</p> <p><b>W10141189</b> (8)</p>
 <p>Hex-head Blunt Screw</p> <p><b>W10142233</b> (4)</p>	 <p>Shoulder Washer (use with hex-head pointed screw)</p> <p><b>W10471946</b> (4)</p>

 <p>Phillips-head Flat Screw</p> <p><b>8281252</b> (28)</p>	 <p>Round-head Screw</p> <p><b>1163283</b> (24)</p>
 <p>Door Adjustment Pin (preinstalled)</p> <p><b>W10234194</b> (2)</p>	 <p>Door Stop Pin</p> <p><b>W10234202</b> (2)</p>
 <p>Drawer Panel Bracket</p> <p><b>W10606815</b> (2)</p>	 <p>Standard Integrated Grille Bracket</p> <p><b>W10182743</b>—Left (1) <b>W10182741</b>—Right (1)</p>
 <p>Fully Integrated Grille Bracket</p> <p><b>W10260890</b>—Left (1) <b>W10260891</b>—Right (1)</p>	 <p>Filler Board "L" Bracket</p> <p><b>W10234199</b> (2)</p>
 <p>Panel Top Bracket</p> <p><b>W10667450</b> (2)</p>	 <p>Top Grille Lower Trim</p> <p><b>W10634858</b>—36" BM (1) <b>W10606812</b>—42" BM, SxS (1)</p>

 <p>RC Hinge Cover Trim</p> <p><b>W10648975</b>—36" BM (Right)  <b>W10564251</b>—36" FDBM (Right)  <b>W10606804</b>—42" FDBM (Right)</p>	 <p>FC Hinge Cover Trim</p> <p><b>W10611107</b>—36" BM (Left)  <b>W10582015</b>—36" FDBM (Left)  <b>W10606808</b>—42" FDBM (Left)</p>
 <p>Panel Templates</p> <p><b>W10222281</b>—SxS  <b>W10488115</b>—36" BM  <b>W10704869</b>—36" FDBM  <b>W10488118</b>—42" FDBM  <b>W10489178</b>—Grille</p>	 <p>Handle Side Door Trim</p> <p><b>W10611106</b>—BM (Left)  <b>W10648977</b>—BM (Right)  <b>W10606802</b>—FDBM (Right)  <b>W10606806</b>—FDBM (Left)</p>
 <p>Installation Block</p> <p><b>W10234156</b></p>	 <p>Grille—Bottom / Skirt—Grille</p> <p><b>W10189198 / W10188549</b>—42" BM  <b>W10189196 / W10188547</b>—36" BM</p>

## Location Requirements

### **⚠ WARNING**



#### Explosion Hazard

Keep flammable materials and vapors, such as gasoline, away from refrigerator.

Failure to do so can result in death, explosion, or fire.

#### IMPORTANT:

- Observe all governing codes and ordinances.
- It is recommended that you do not install the refrigerator near an oven, radiator, or other heat source.
- Do not install in a location where the temperature will fall below 55°F (13°C).

- Floor must support the refrigerator weight, more than 600 lbs (272 kg), door panels and contents of the refrigerator. Flooring under refrigerator must be at same level as the room. Face of cabinetry must be plumb.
- Ceiling height must allow for side tipping radius. See “Tipping Radius.”
- Location should permit door to open fully. See “Door Swing Dimensions.”
- Location must permit top grille removal. See “Opening Dimensions.”

## Opening Dimensions

#### IMPORTANT:

- The width of the opening (Width A), from side to side, must be as specified for your model, for at least 2" (5.08 cm) back from the face of the cabinet.

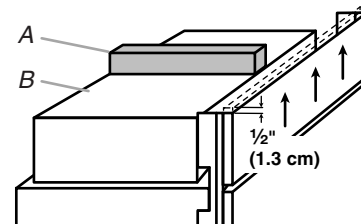
**NOTE:** If your opening does not meet this requirement, you will need to make modifications.

- A solid soffit or wall cabinet must be installed 84" (213.4 cm) above the floor. If the solid soffit is higher than 84" (213.4 cm) or one is not available, then the refrigerator must be braced.

If anti-tip boards are needed, they must be attached to the rear wall studs so that there is 84" (213.4 cm) from the bottom of the anti-tip board to the floor. See “Install Anti-Tip Boards” for more information.

#### NOTES:

- A clearance of ½" (1.3 cm) must be maintained above the top grille so that the top grille can be removed.
- Do not remove the foam gasket from the top of the compressor cover unless removal is necessary to fit the unit under a soffit. Removal of the gasket will cause loss in cooling efficiency.
- If installing under a solid soffit, after installation raise the leveling legs so that the gasket is pressed snugly against the soffit.

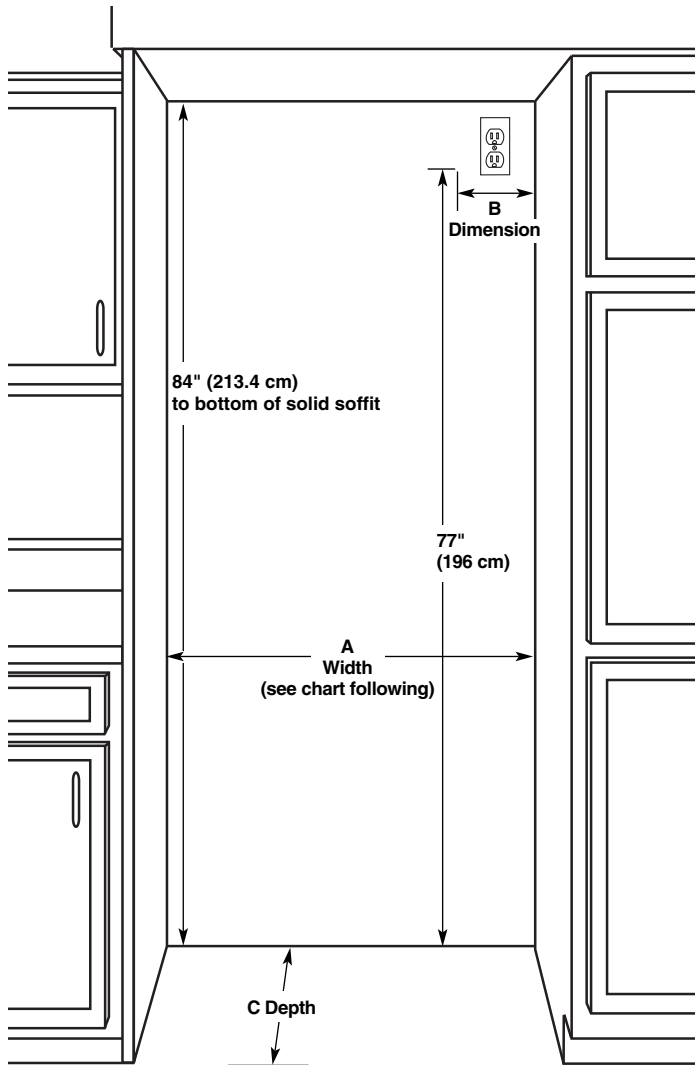


A. Gasket  
B. Compressor cover

- For a fully integrated installation, a minimum of 6" (15.24 cm) of open space above the refrigerator is required. See “Fully Integrated Installation.” Anti-tip boards are required. See “Install Anti-Tip Boards” for more information.
- A grounded 3 prong electrical outlet should be located within a specified number of inches from the right-hand side cabinets or end panel. See the chart following the graphic for the number of inches required for your model. For more information, see “Electrical Requirements.”



- The water shutoff should be located in the base cabinet on either side of the refrigerator or some other easily accessible area. If the water shutoff valve is not in the cabinets, the plumbing for the water line can come through the floor. See “Water Supply Requirements” for more information.



Model	Width A (as shown above)	Dimension B (as shown above)
36	36" (91.4 cm)	4" (10.2 cm)
42	42" (106.7 cm)	7½" (19.1 cm)

Installation Type	Depth C (as shown above)
Standard Flush (new installation)	25" (63.5 cm) minimum
Retrofit Installations	24" (60.9 cm) minimum

## Electrical Requirements

### ⚠ WARNING



#### Electrical Shock Hazard

Plug into a grounded 3 prong outlet.

Do not remove ground prong.

Do not use an adapter.

Do not use an extension cord.

Failure to follow these instructions can result in death, fire, or electrical shock.

Before you move your refrigerator into its final location, it is important to make sure you have the proper electrical connection.

#### Recommended Grounding Method

A 115 volt, 60 Hz., AC only, 15- or 20-amp fused, grounded electrical supply is required. It is recommended that a separate circuit serving only your refrigerator be provided. Use an outlet that cannot be turned off by a switch. Do not use an extension cord.

**IMPORTANT:** If this product is connected to a GFCI (Ground Fault Circuit Interrupter) protected outlet, nuisance tripping of the power supply may occur, resulting in loss of cooling. Food quality and flavor may be affected. If nuisance tripping has occurred, and if the condition of the food appears poor, dispose of it.

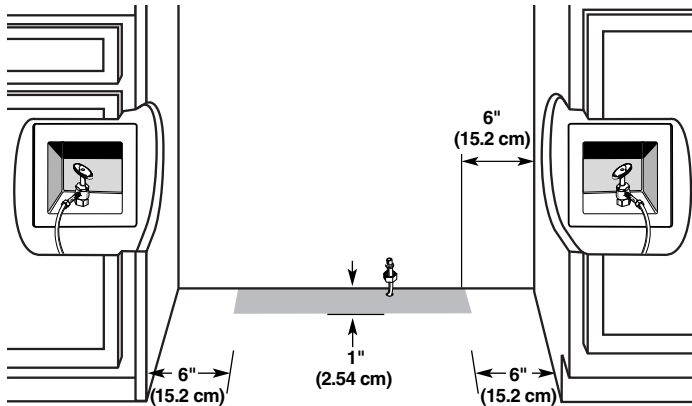
**NOTE:** Before performing any type of installation or cleaning, remove the top grille and turn the master power switch to OFF or disconnect power at the circuit breaker box.

When you are finished, turn ON the master power switch or reconnect power at the circuit breaker box. Then reset the control to the desired setting.

## Water Supply Requirements

### IMPORTANT:

- All installations must meet local plumbing code requirements.
- There is not enough clearance to achieve a flush installation if a water shutoff valve is located in the wall behind the refrigerator.
- The water shutoff should be located in the base cabinet on either side of the refrigerator or some other easily accessible area. The water supply line, however, must come up through the floor in the gray shaded area shown.



- A  $\frac{1}{2}$ " (12.7 mm) hole for plumbing should be drilled on the floor at least 6" (15.2 cm) from the right- or left-hand side cabinet and should be no more than 1" (2.54 cm) away from the back wall. See "Connect the Water Supply."
  - The water supply connection is made at the front of the refrigerator.
  - If additional tubing is needed, use copper tubing and check for leaks. Install the copper tubing only in areas where the household temperatures will remain above freezing.
  - Do not use a piercing-type or  $\frac{3}{16}$ " (4.76 mm) saddle valve which reduces water flow and also clogs more easily.
- NOTE:** Your refrigerator dealer has a kit available with a  $\frac{1}{4}$ " (6.35 mm) saddle-type shutoff valve, a union, and copper tubing. Before purchasing, make sure a saddle-type valve complies with your local plumbing codes.

## Water Pressure

A cold water supply with water pressure between 30 and 120 psi (207 and 827 kPa) is required to operate the water dispenser and ice maker. If you have questions about your water pressure, call a licensed, qualified plumber.

### Reverse Osmosis Water Supply

**IMPORTANT:** The pressure of the water supply coming out of a reverse osmosis system going to the water inlet valve of the refrigerator needs to be between 30 and 120 psi (207 and 827 kPa).

If a reverse osmosis water filtration system is connected to your cold water supply, the water pressure to the reverse osmosis system needs to be a minimum of 40 to 60 psi (276 to 414 kPa).

If the water pressure to the reverse osmosis system is less than 40 to 60 psi (276 to 414 kPa):

- Check to see whether the sediment filter in the reverse osmosis system is blocked. Replace the filter if necessary.
- Allow the storage tank on the reverse osmosis system to refill after heavy usage.
- If your refrigerator has a water filter, it may further reduce the water pressure when used in conjunction with a reverse osmosis system. Remove the water filter cartridge.

If you have questions about your water pressure, call a licensed, qualified plumber.

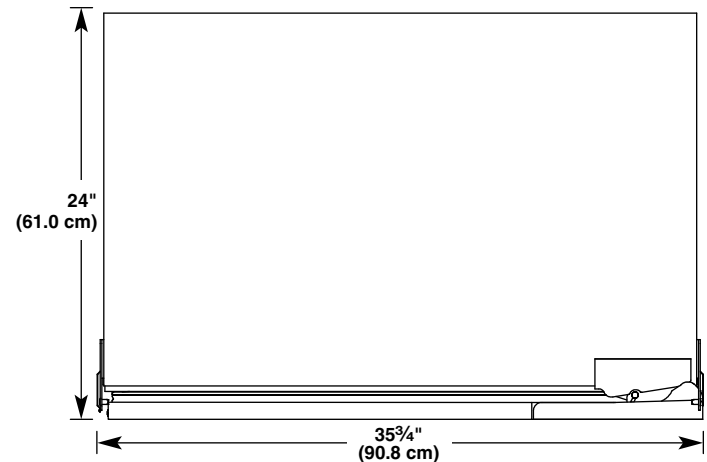
## Product Dimensions

### IMPORTANT:

- The depth from the front face of the doors to the back of the refrigerator cabinet is 24" (60.96 cm) without panels.
- The power cord is 84" (213 cm) long.
- The water supply connection is made at the bottom front of the refrigerator.

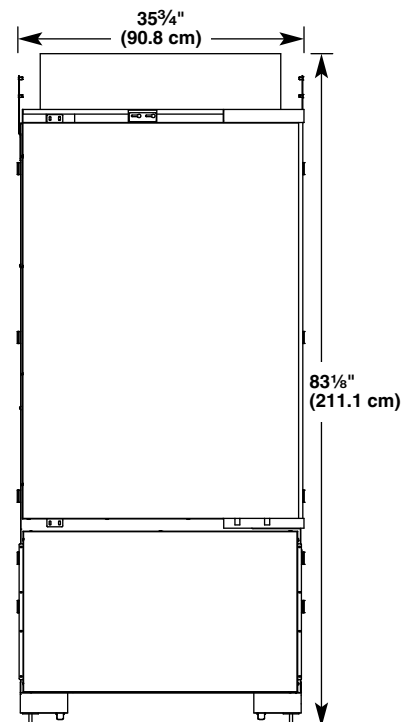
### 36" Single Door and 36" French Door Bottom Mount

#### Top View



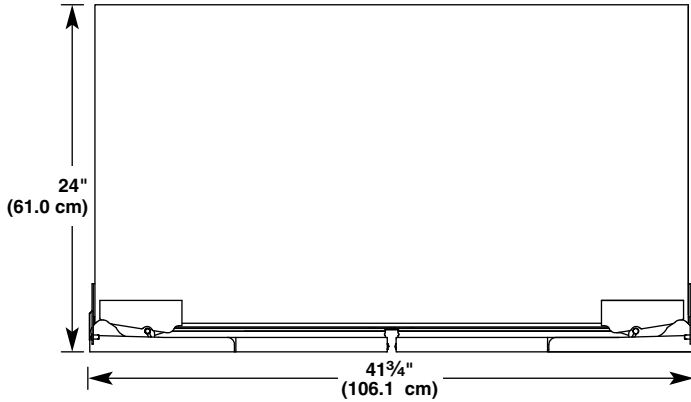
#### Front View

- Width dimensions were measured from hinge edge to clip edge.
- When leveling legs are fully extended to  $1\frac{1}{4}$ " (3.2 cm) below rollers, add  $1\frac{1}{4}$ " (3.2 cm) to the height dimension.



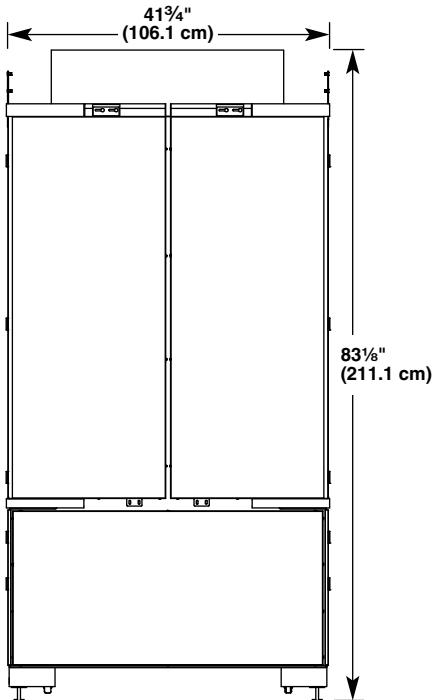
## 42" French Door Bottom Mount

### Top View



### Front View

- Width dimensions were measured from hinge edge to hinge edge.
- When leveling legs are fully extended to 1<sup>1</sup>/<sub>4</sub>" (3.2 cm) below rollers, add 1<sup>1</sup>/<sub>4</sub>" (3.2 cm) to the height dimension.



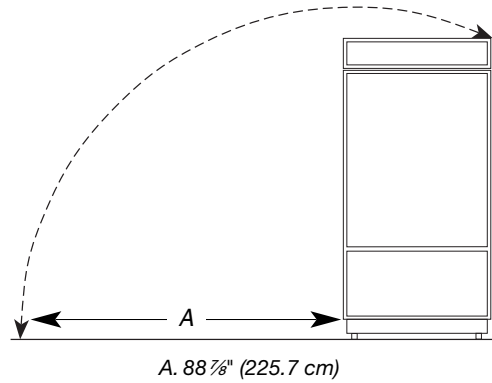
## Tipping Radius

Be sure there is adequate ceiling height to stand the refrigerator upright when it is moved into place.

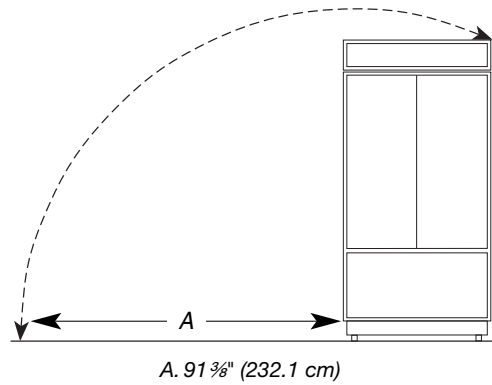
- The dolly wheel height must be added to the tipping radius when a dolly is used.

**NOTE:** Tip on side only.

### Side Tipping Radius—36" (91.4 cm) Models



### Side Tipping Radius—42" (106.7 cm) Models

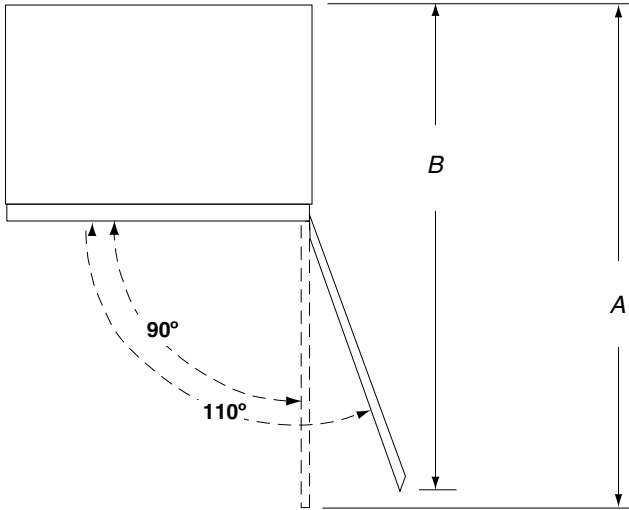


## Door Swing Dimensions

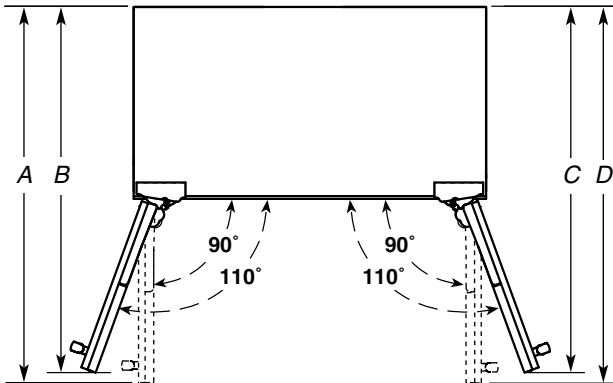
- The location must permit both doors to open to a minimum of 90°.
- Allow 4½" (11.4 cm) minimum space between the side of the refrigerator and a corner wall.

**NOTE:** More clearance may be required if you are using custom wood overlay panels, custom handles or extended handles.

### 36" (91.4 cm) Single Door Models



### 36" (91.4 cm) and 42" (106.6 cm) French Door Models



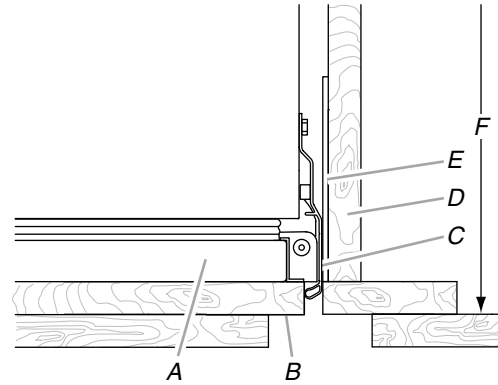
Model	A	B	C	D
36	58¾" (149.2 cm)	56⅝" (143.8 cm)	56⅝" (143.8 cm)	58¾" (149.2 cm)
36 FD	41" (104 cm)	39¾" (101 cm)	39¾" (101 cm)	41" (104 cm)
42 FD	44" (111.8 cm)	42¾" (108.6 cm)	42¾" (108.6 cm)	44" (111.8 cm)

## Cabinet and Panel Installation Options

**NOTE:** Graphics shown below illustrate installation configuration options given the specified cabinet depths. All possible configurations are not shown.

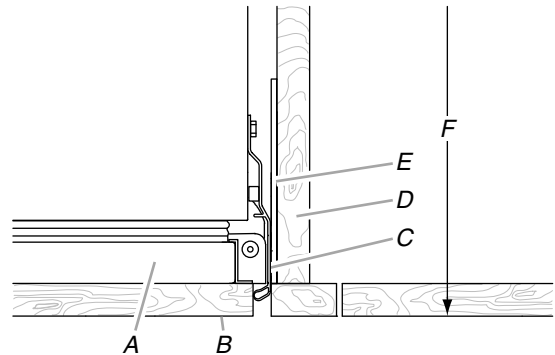
### Cabinet Depth—25" (63.5 cm)

#### Framed Cabinetry Top View



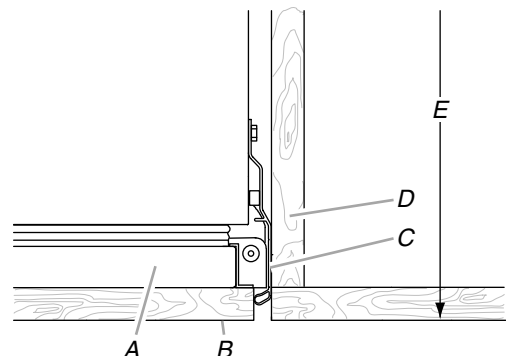
- A. Refrigerator door
- B. Door panel
- C. Side trim
- D. Adjacent cabinet
- E. Flush return filler
- F. 25" (63.5 cm)

#### Inset Top View



- A. Refrigerator door
- B. Door panel
- C. Side trim
- D. Adjacent cabinet
- E. Flush return filler
- F. 25" (63.5 cm)

#### Frameless Cabinetry Top View



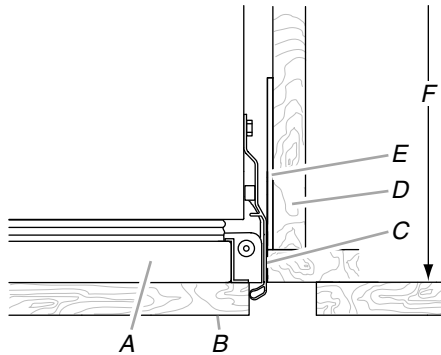
- A. Refrigerator door
- B. Door panel
- C. Side trim
- D. Adjacent cabinet
- E. 25" (63.5 cm)

## Cabinet Depth—24" (60.9 cm)

**NOTE:** A flush installation is not possible with a 24" (60.9 cm) deep opening.

### Framed Cabinetry

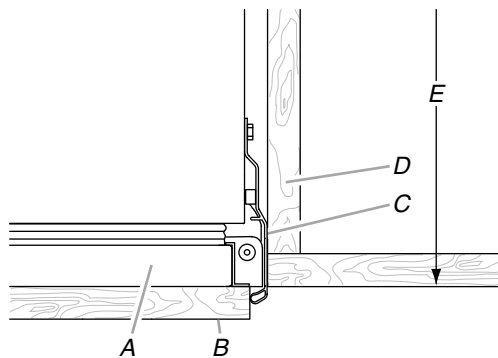
#### Top View



- |                      |                        |
|----------------------|------------------------|
| A. Refrigerator door | D. Adjacent cabinet    |
| B. Door panel        | E. Flush return filler |
| C. Side trim         | F. 24" (60.9 cm)       |

### Frameless Cabinetry

#### Top View



- |                      |                     |
|----------------------|---------------------|
| A. Refrigerator door | D. Adjacent cabinet |
| B. Door panel        | E. 24" (60.9 cm)    |
| C. Side trim         |                     |

## Fully Integrated Grille Installation Requirements

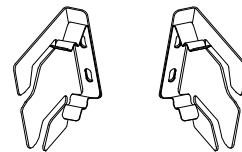
The refrigerator can be installed fully integrated if the adjacent cabinetry meets the airflow venting requirements critical to refrigerator performance. A Fully Integrated Grille installation has no visible air gap because the grille extends upward to the soffit or upper cabinet.

### IMPORTANT:

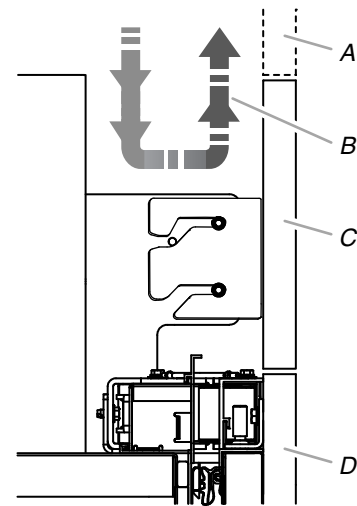
- A Fully Integrated Grille installation requires a minimum of 6" (15.24 cm) of open space above the refrigerator. This space must not be blocked in any way, including by soffits.
- A Fully Integrated Grille installation can be achieved with either a 24" (60.9 cm) or 25" (63.5 cm) deep opening.
- A full height grille is used to achieve a Fully Integrated Grille installation. Use the integrated grille bracket (provided with refrigerator) to attach the full height grille.

**NOTE:** A top grille vent is not required with a full height grille.

### Integrated Grille Bracket



### Fully Integrated Grille Installation—Side View

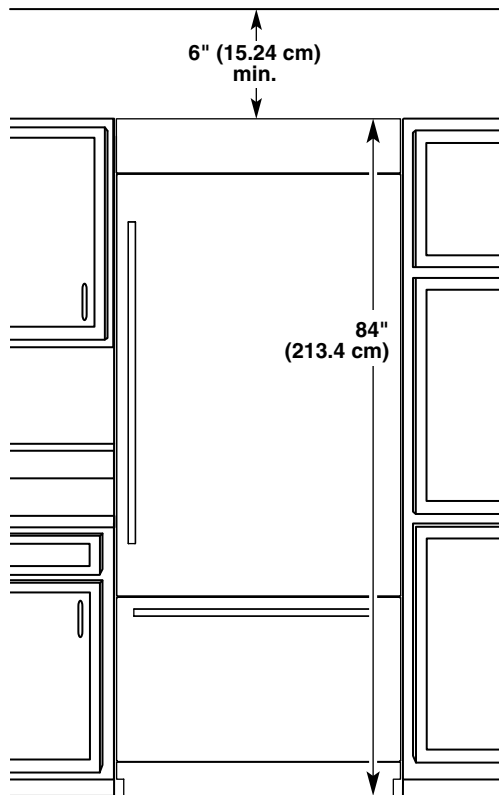


- |                           |                        |
|---------------------------|------------------------|
| A. False front (optional) | C. Full height grille* |
| B. Airflow                | D. Door panel*         |

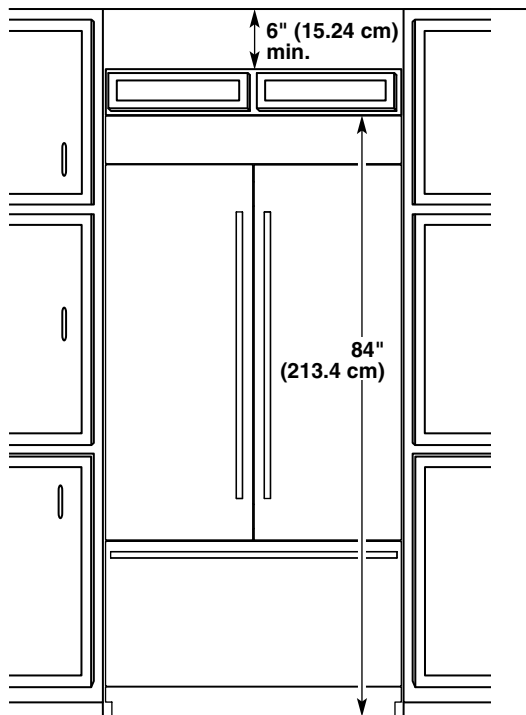
\*C and D are one piece in the Full-height Door Installation option.

## Fully Integrated Grille Installation Options

### Option 1—Open to Ceiling



### Option 2—False Front (cabinet face only)

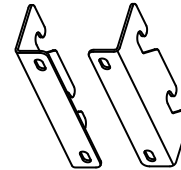


## Standard Integrated Grille Installation Requirements

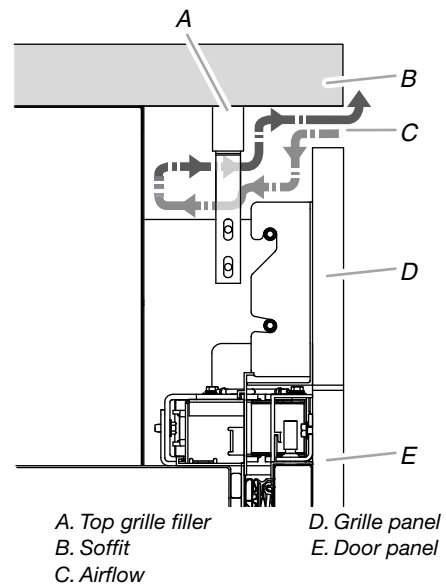
### IMPORTANT:

- A Standard Integrated Grille installation can be achieved with either a 24" (60.9 cm) or 25" (63.5 cm) deep opening.
- A standard grille is used to achieve a Standard Integrated Grille installation. Use the standard grille bracket (provided with refrigerator) to attach the standard grille.
- The grille panel height, shown in the "Standard Integrated Grille Installation—Side View" graphic, allows for an air gap critical to refrigerator performance.

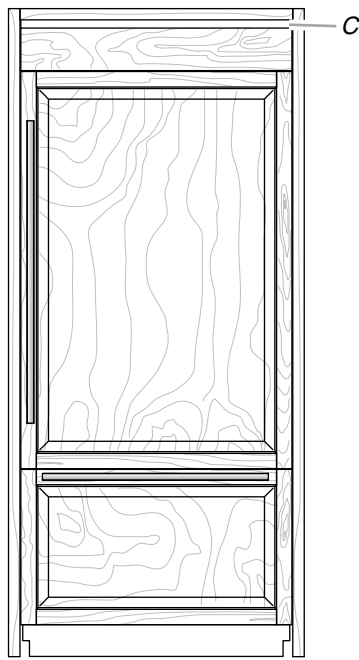
### Standard Grille Bracket



### Standard Integrated Grille Installation—Side View

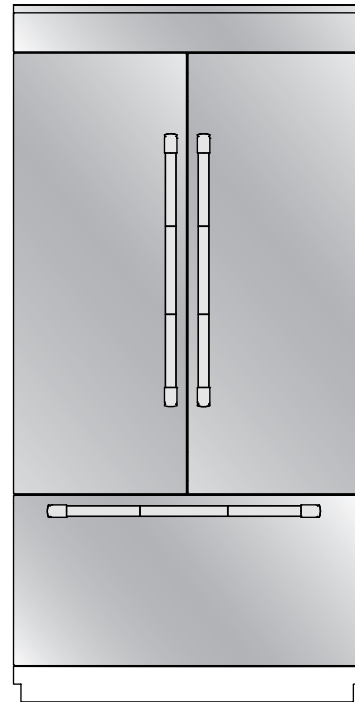


## Standard Integrated Grille Installation—Full Product View



C. Airflow

## Panel Kit Installation—Full Product View



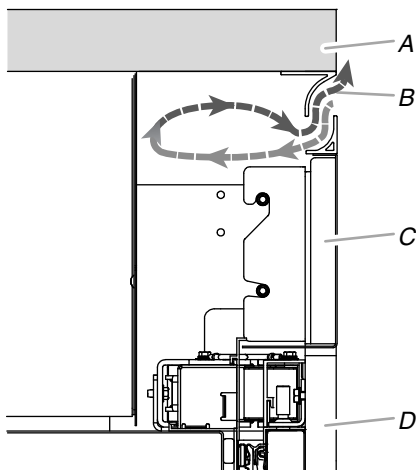
## Stainless Steel Panel Kit Installation Requirements

See the “36” Single Door Models” or the “36” or 42” French Door Models” section to see the panel kit options available for your model.

### IMPORTANT:

- A panel kit installation can be achieved with either a 24" (60.9 cm) or 25" (63.5 cm) deep opening.
- Refer to the instructions provided with the Stainless Steel Door Panel Kit to install the door panels and standard grille.
- The grille panel height, shown in the “Panel Kit Installation—Side View” graphic, allows for an air gap critical to refrigerator performance.

### Panel Kit Installation—Side View



A. Soffit  
B. Airflow

C. Grille panel  
D. Door panel

## Custom Wood Overlay Panel Requirements

Custom wood overlay panels allow you to blend the exterior of your refrigerator into the overall kitchen décor and to use custom handles for additional design flexibility.

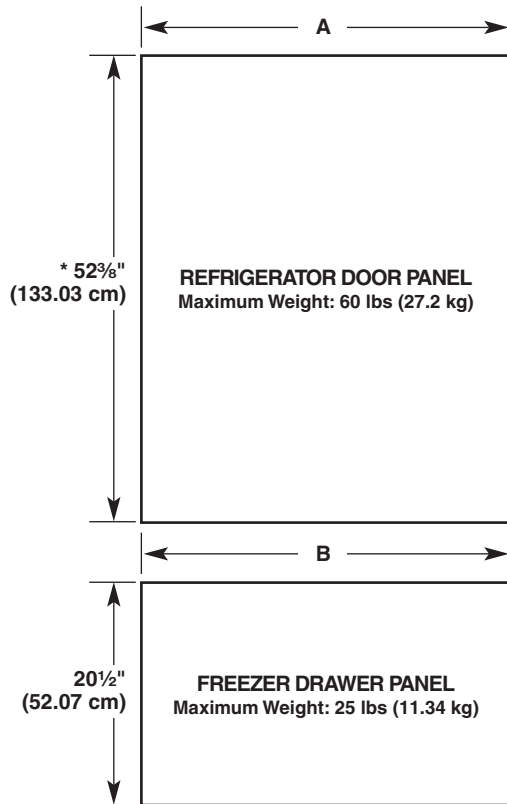
In some cases, your cabinet manufacturer may choose to work with one panel routed for the different dimensions. Follow these panel dimension and placement instructions to be sure that the custom wood overlay panels will fit properly.

### IMPORTANT:

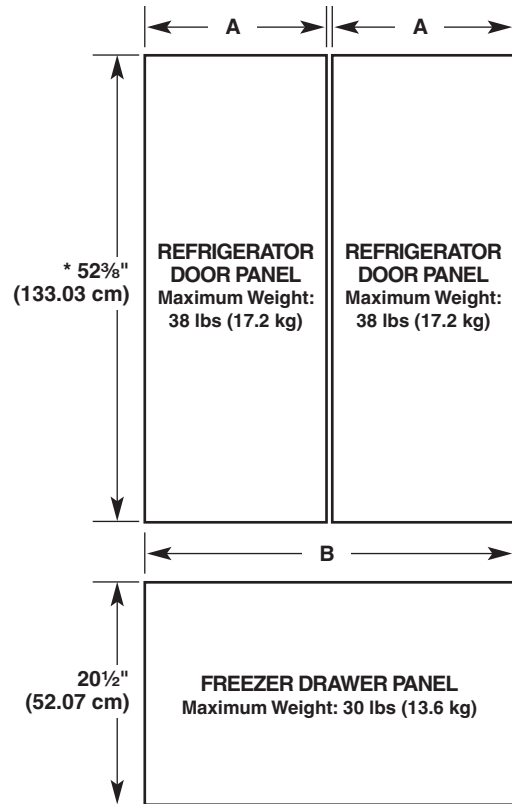
- For 36" (91.4 cm) Single Door models, the refrigerator door wood overlay panel cannot exceed 60 lbs (27.2 kg) and the freezer drawer overlay panel cannot exceed 25 lbs (11.3 kg).
- For 36" French Door models, the refrigerator door wood overlay panel cannot exceed 38 lbs (17.2 kg) and the freezer drawer overlay panel cannot exceed 25 lbs (11.3 kg).
- For 42" (106.7 cm) French Door models, the refrigerator door wood overlay panel cannot exceed 38 lbs (17.2 kg) and the freezer drawer overlay panel cannot exceed 30 lbs (13.6 kg).
- The weight of the top grille wood overlay panel cannot exceed 7 lbs (3.2 kg) for both models.
- The required thickness for all panels is 3/4" (1.91 cm).
- This installation does not require filler or backer panels.

## Custom Wood Overlay Panel Dimensions

### 36" (91.4 cm) Single Door Model—Door and Drawer Panels



### 36" (91.4 cm) and 42" (106.7 cm) French Door Models—Door and Drawer Panels



**⚠ CAUTION**

Pinch Hazard

Installation of door panels with less than a  $\frac{3}{8}$ " (0.95 cm) gap between the door panel and the adjacent cabinet increases the risk of potential pinching.

**⚠ CAUTION**

Pinch Hazard

Installation of door panels with less than a  $\frac{3}{8}$ " (0.95 cm) gap between the door panel and the adjacent cabinet increases the risk of potential pinching.

Model	36" Single Door Bottom Mount	
Reveal	$\frac{3}{8}$ "	$\frac{1}{8}$ "
A	35 <sup>1</sup> / <sub>4</sub> " (89.54 cm)	35 <sup>3</sup> / <sub>4</sub> " (90.81 cm)
B	35 <sup>1</sup> / <sub>4</sub> " (89.54 cm)	35 <sup>3</sup> / <sub>4</sub> " (90.81 cm)

\*For Fully-integrated grille or Standard grille installations.

Model	36" French Door Bottom Mount	
Reveal	$\frac{3}{8}$ "	$\frac{1}{8}$ "
A	17 <sup>9</sup> / <sub>16</sub> " (44.6 cm)	17 <sup>13</sup> / <sub>16</sub> " (45.2 cm)
B	35 <sup>1</sup> / <sub>4</sub> " (89.5 cm)	35 <sup>3</sup> / <sub>4</sub> " (90.8 cm)

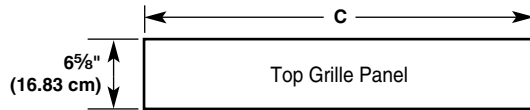
Model	42" French Door Bottom Mount	
Reveal	$\frac{3}{8}$ "	$\frac{1}{8}$ "
A	20 <sup>9</sup> / <sub>16</sub> " (52.23 cm)	20 <sup>13</sup> / <sub>16</sub> " (52.86 cm)
B	41 <sup>1</sup> / <sub>4</sub> " (104.78 cm)	41 <sup>3</sup> / <sub>4</sub> " (106.05 cm)

\*For Fully-integrated grille or Standard grille installations.



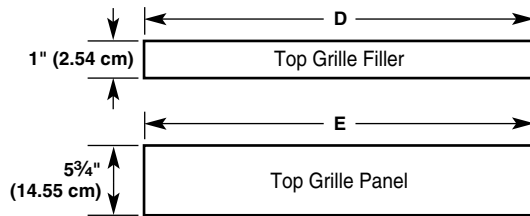
## Grille Panel

### Fully-Integrated Installation—Full Height Grille—Open Soffit



Model	36		42	
Reveal	3/8"	1/8"	3/8"	1/8"
C	35 1/4" (89.54 cm)	35 3/4" (90.81 cm)	41 1/4" (104.78 cm)	41 3/4" (106.05 cm)

### Standard Integrated Grille Installation—Open or Closed Soffit



Model	36		42	
Reveal	3/8"	1/8"	3/8"	1/8"
D	35 1/4" (89.54 cm)	35 3/4" (90.81 cm)	41 1/4" (104.78 cm)	41 3/4" (106.05 cm)
E	35 1/4" (89.54 cm)	35 3/4" (90.81 cm)	41 1/4" (104.78 cm)	41 3/4" (106.05 cm)

**IMPORTANT:** The grille panel height, shown in the “Standard Integrated Grille Installation” graphic, allows for an air gap critical to refrigerator performance.

### Full-Height Door Installation - No Grille - Open Soffit

No grille is used in a full-height door installation. Use an Armoire kit to disguise the cooling system, located on the top of the refrigerator, which is visible when the doors are opened. See the instructions, provided with the Armoire kit, for installation details and custom wood overlay door dimensions.

# INSTALLATION INSTRUCTIONS

## Unpack the Refrigerator

### **! WARNING**



#### Tip Over Hazard

Refrigerator is top heavy and tips easily when not completely installed.

Keep doors taped closed until refrigerator is completely installed.

Use two or more people to move and install refrigerator.

Failure to do so can result in death or serious injury.

#### IMPORTANT:

- Do not remove the film covering until the refrigerator is in its operating location.
  - All four leveling legs must contact the floor to support and stabilize the full weight of the refrigerator.
  - Keep the cardboard shipping piece or plywood under the refrigerator until it is installed in the operating location.
1. Remove and save the literature package and hardware kit located inside the refrigerator. Remove and save the literature, grille, and trim taped to the outside of the refrigerator.
 

**NOTE:** Do not remove tape and door bracing until the refrigerator is in its final location.

## Move the Refrigerator into House

### **WARNING**



#### Tip Over Hazard

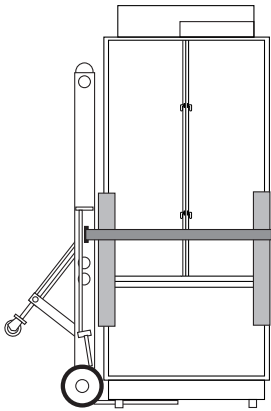
Refrigerator is top heavy and tips easily when not completely installed.

Keep doors taped closed until refrigerator is completely installed.

Use two or more people to move and install refrigerator.

Failure to do so can result in death or serious injury.

1. Place an appliance dolly under the left side of the refrigerator as shown. Place the corner posts from the packing materials over the trims as appropriate. Slowly tighten the strap.



2. Place pieces of the shipping carton on the floor when rolling the dolly and refrigerator into the house. Move the refrigerator close to the built-in opening.
3. Place top of cardboard carton or plywood under refrigerator.
4. Stand the refrigerator up. First, place the left bottom edge of the refrigerator on the floor, stand the refrigerator upright and then lower the right-hand side of the refrigerator to the floor.

## Install Anti-Tip Boards

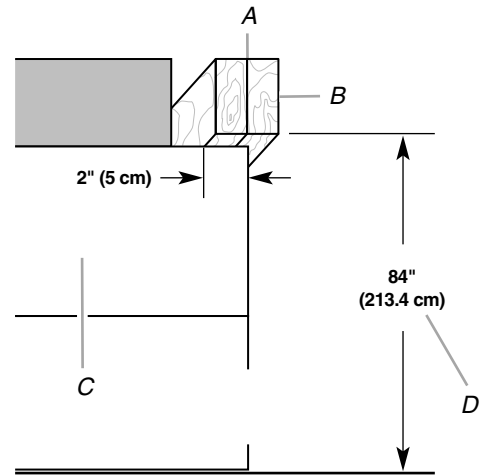
### IMPORTANT:

- If a solid soffit is not available, anti-tip boards must be installed.
- It is recommended that boards be installed before the refrigerator is installed.
- Boards must be long enough to fully cover the width of the compressor cover.
- Place the boards so that the bottom surfaces of the boards are 84" (213 cm) from the floor.
- During installation, raise the refrigerator up until the top of the refrigerator is making contact with the bottom of the anti-tip boards. Do not crush the compressor cover when raising the rear leveling legs.

**NOTE:** The foam gasket, on top of the compressor cover, will compress to fit under the anti-tip board(s). There is no need to trim the gasket.

## To Install Anti-tip Boards

1. Mark the stud locations on rear wall.
2. Securely attach two 2" x 4" x 32" (5 cm x 10 cm x 81 cm) boards to wall studs behind refrigerator. Use six #8 x 3" (7.6 cm) (or longer) wood screws. The wood screws must be screwed into the studs at least 1½" (3.8 cm). The boards must overlap the compressor cover.



- A. Two 2" x 4" x 32" (5 cm x 10 cm x 81 cm) boards  
B. Attach to studs with six #8 x 3" (7.6 cm) screws.  
C. Compressor cover  
D. Distance from bottom of anti-tip boards to floor

## Connect the Water Supply

Read all directions before you begin.

**IMPORTANT:** If you turn the refrigerator on before the water line is connected, turn the ice maker OFF.

### Connect to Water Line

#### Parts Needed

- Minimum 7 ft (2.13 m) flexible, codes-approved water supply line

#### Style 1 – Shutoff Valve Connection

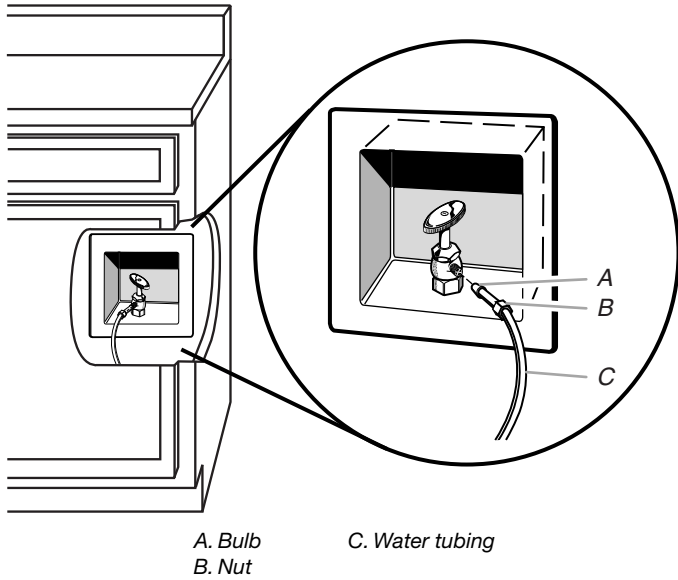
**NOTE:** If your water line connection does not look like Style 1, see "Style 2 – Copper Line Connection."

1. Unplug refrigerator or disconnect power supply.

#### IMPORTANT:

- There is not enough clearance to achieve a flush installation if a water shutoff valve is located in the wall behind the refrigerator. The water shutoff should be located in the base cabinet on either side of the refrigerator.
- Before attaching the tubing to shutoff valve, flush the main water supply line to remove particles and air in the water line. Allow enough flow so that water becomes clear. Flushing the water line may help avoid filters and/or water valves from becoming clogged.

2. Connect the flexible, codes-approved water supply line to the water shutoff valve by threading the provided nut onto the shutoff valve as shown.



3. Place the end of the tubing into a bucket, and turn shutoff valve ON.
4. Check for leaks. Tighten any nuts or connections (including connections at the valve) that leak.

### Style 2 – Copper Line Connection

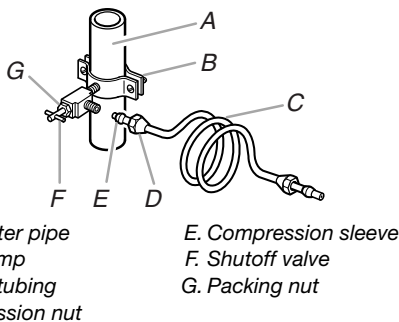
**NOTE:** If there is a water supply line that meets the specifications in “Water Supply Requirements,” proceed to “Connecting to Refrigerator.” If not, use the following instructions to connect to the household cold water supply.

1. Unplug refrigerator or disconnect power.
2. Turn OFF main water supply. Turn ON nearest faucet long enough to clear line of water.
3. Locate a ½" to 1¼" (1.25 cm to 3.18 cm) vertical cold water pipe near the refrigerator.

**IMPORTANT:**

- Make sure it is a cold water pipe.
- Horizontal pipe will work, but drill on the top side of the pipe, not the bottom. This will help keep water away from the drill and keep normal sediment from collecting in the valve.

4. Determine the length of copper tubing you need. Measure from the connection on the refrigerator to the water pipe. Add 7 ft (2.1 m) to allow for cleaning. Use ¼" (6.35 mm) O.D. (outside diameter) copper tubing. Be sure both ends of copper tubing are cut square.
5. Using a cordless drill, drill a ¼" (6.35 mm) hole in the cold water pipe you have selected.



6. Fasten the shutoff valve to the cold water pipe with the pipe clamp. Be sure the outlet end is solidly in the ¼" (6.35 mm) drilled hole in the water pipe and that the washer is under the pipe clamp. Tighten the packing nut. Tighten the pipe clamp screws slowly and evenly so washer makes a watertight seal. Do not overtighten.

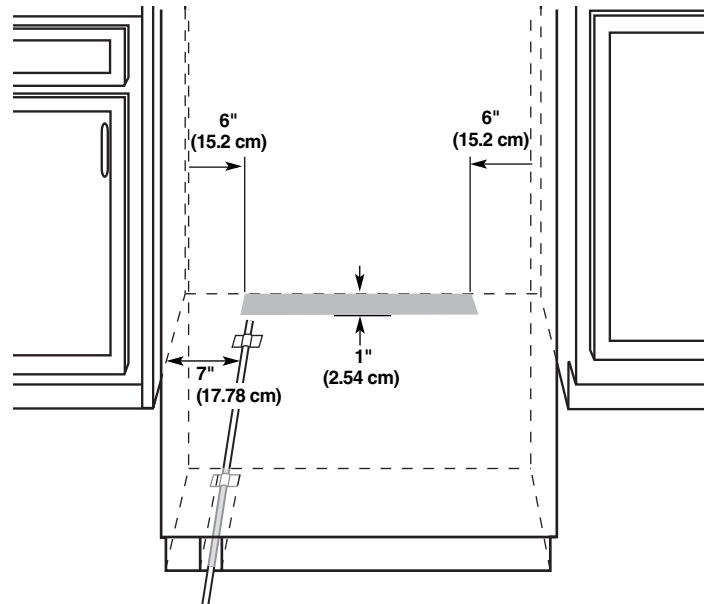
**IMPORTANT:** Before attaching the tubing to shutoff valve, flush the main water supply line to remove particles and air in the water line. Allow enough flow so that water becomes clear. Flushing the water line may help avoid filters and/or water valves from becoming clogged.

7. Slip the compression sleeve and compression nut on the copper tubing as shown. Insert the end of the tubing into the outlet end squarely as far as it will go. Screw compression nut onto outlet end with adjustable wrench. Do not overtighten the clamp or the sleeve. This will crush the copper tubing.
8. Turn off the shutoff valve on the water pipe. Coil the copper tubing.
9. Connect the flexible, codes-approved water supply line to the water shutoff valve by threading the provided nut onto the shutoff valve.
10. Place the end of the tubing into a bucket, and turn shutoff valve ON.
11. Check for leaks around the saddle valve. Tighten any nuts or connections (including connections at the valve) that leak.

### Connect to Refrigerator

#### Parts Supplied

- ¼" to ¼" (6.35 mm to 6.35 mm) male-to-male coupling



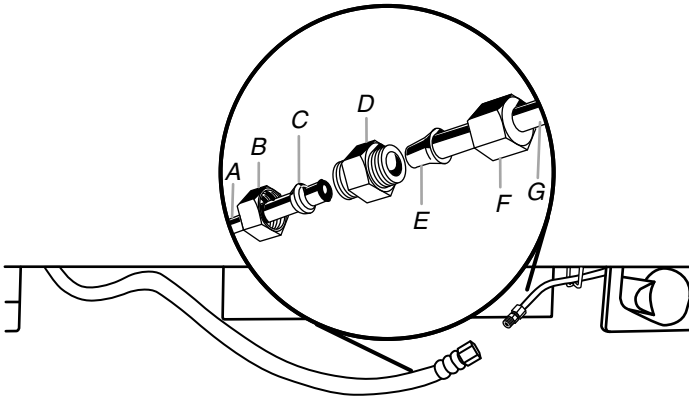
**NOTE:** The flexible, codes-approved water supply line should connect to the supply valve through the floor.

1. Unplug the refrigerator or disconnect power.
2. Connect the 7 ft (2.13 m) flexible codes-approved water tube to the water supply valve.
3. Flush the main water supply line to remove particles and air in the water line. Allow enough flow so that water becomes clear.
4. Tape the 7 ft (2.13 m) flexible codes-approved water supply line to the floor, 7" (17.78 cm) from the left side of the refrigerator. Tape along the length of the tubing, which will allow it to pass beneath the refrigerator without interference.

**NOTE:** Allow a minimum of 26" (66.04 cm) of flexible codes-approved water supply line to be loose at the front of the refrigerator for connecting to the refrigerator.

- Connect the 7 ft (2.13 m) flexible codes-approved water supply line to the refrigerator.

**NOTE:** If the main water shutoff valve is behind the refrigerator, a secondary water shutoff valve may be installed in line with the water supply line at the front of the product.



- |                         |                              |
|-------------------------|------------------------------|
| A. Household water line | E. Bulb                      |
| B. Nut (purchased)      | F. Nut                       |
| C. Ferrule (purchased)  | G. Refrigerator water tubing |
| D. Coupling             |                              |

- Turn on the water supply valve and check all connections for leaks.

## Plug in Refrigerator

### ⚠ WARNING



#### Electrical Shock Hazard

Plug into a grounded 3 prong outlet.

Do not remove ground prong.

Do not use an adapter.

Do not use an extension cord.

Failure to follow these instructions can result in death, fire, or electrical shock.

- Set control switch at top of cabinet to the OFF position.
- Plug into a grounded 3 prong outlet.

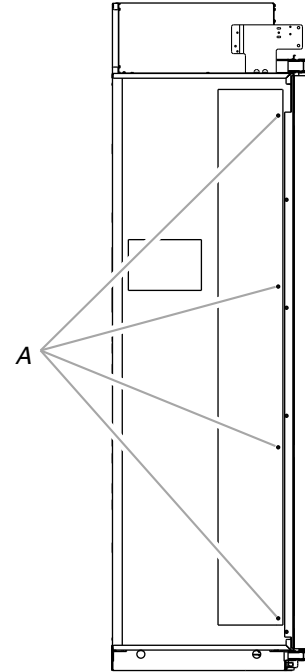
## Install Side Trims

The side trims cover the space between the refrigerator and the adjacent cabinets. There is a trim piece taped to each side of the refrigerator. Install each trim piece to the side of the refrigerator to which it is taped.

- Remove the tape attaching the trim pieces to the sides of the refrigerator. Set the trim pieces aside.

**IMPORTANT:** Custom wood panel (with 1/8" gap) installations only - The bulb-shaped edge of the side trim piece will interfere with the panels. Peel the bulb-shaped, long edge from the trim piece and discard. See the "Top View" graphic later in this section.

- Remove the four screws from the side of the refrigerator cabinet.

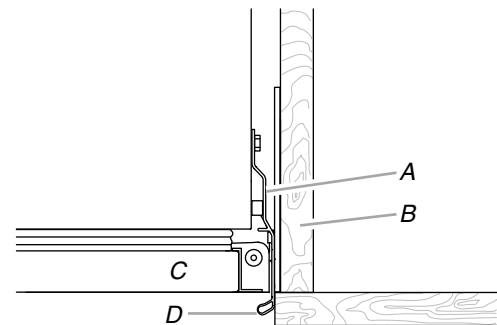


A. Side trim screws

- Using the original holes and the screws removed in Step 2, fasten the side trim to the refrigerator cabinet.

**NOTE:** Make sure to fasten each trim piece to the side of the refrigerator cabinet from which it was removed. The bulb-shaped edge should be forward with the notch at the top, as shown.

### Top View



A. Side trim  
B. Adjacent cabinet

C. Door  
D. Bulb-shaped edge

## Move Refrigerator to Final Location

### **⚠ WARNING**



#### Tip Over Hazard

Refrigerator is top heavy and tips easily when not completely installed.

Keep doors taped closed until refrigerator is completely installed.

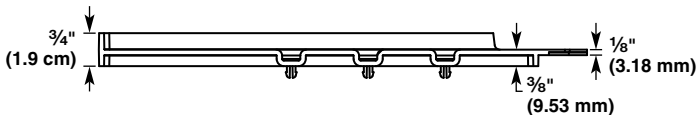
Use two or more people to move and install refrigerator.

Failure to do so can result in death or serious injury.

#### IMPORTANT:

- A flush installation is NOT possible with a 24" (60.9 cm) deep opening.
- To avoid floor damage, make sure levelers are raised (not touching floor) and refrigerator is on rollers before moving.
- Use the installation block, attached to the door hinge, as a reference to make sure the refrigerator is pushed back far enough into the opening, so that when the panels are installed they will be flush with the adjacent cabinets.
- After the refrigerator is leveled and aligned, remove the installation block from the door hinge and use it to check the spacing between the panels and adjacent cabinets.

**NOTE:** The installation block is designed to provide accurate spacing for  $\frac{3}{4}$ " (1.9 cm),  $\frac{3}{8}$ " (9.53 mm) and  $\frac{1}{8}$ " (3.18 mm).

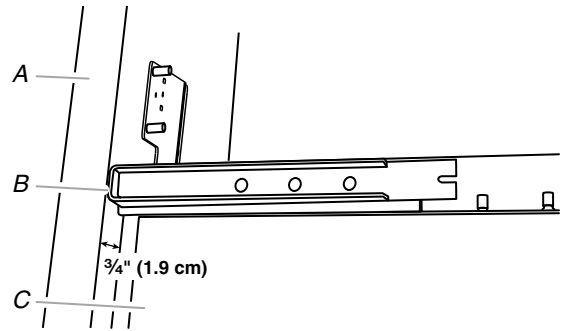


1. Place top of cardboard carton or plywood under refrigerator. Remove dolly.
2. Move the refrigerator straight back and evenly into the opening. Be sure that the water tubing is not kinked and the power supply cord is on top of the refrigerator.

**NOTE:** If the power supply cord is behind the refrigerator, it will not install properly.

3. Make sure the installation block is flush with the adjacent cabinets.

**NOTE:** To achieve a flush installation, it is critical to verify a  $\frac{3}{4}$ " (1.9 cm) depth from the front face of the adjacent cabinetry to the refrigerator.



A. Adjacent cabinet or wall  
B. Installation block  
C. Face of refrigerator

## Level and Align Refrigerator

### **⚠ WARNING**



#### Tip Over Hazard

Refrigerator is top heavy and tips easily when not completely installed.

Keep doors taped closed until refrigerator is completely installed.

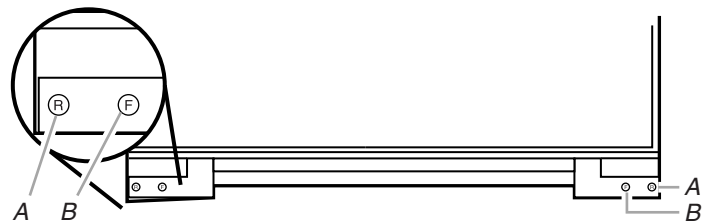
Use two or more people to move and install refrigerator.

Failure to do so can result in death or serious injury.

**IMPORTANT:** All four leveling legs must contact the floor to support and stabilize the full weight of refrigerator. Rollers are for moving refrigerator and not for permanent support.

After moving the refrigerator to its final location:

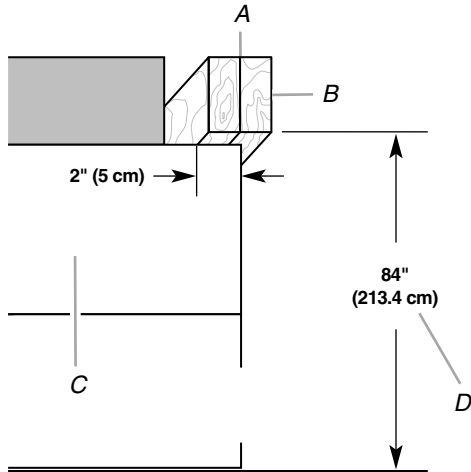
1. Use a  $\frac{5}{16}$ " socket driver to turn the leveling bolts clockwise to extend the legs to the floor as shown. The rollers should be off the floor.



A. Rear leveling bolt  
B. Front leveling bolt

2. Adjust the leveling legs to level and align the refrigerator from left to right and front to back so that the refrigerator is level and aligned with the cabinets.
3. Continue adjusting the leveling legs until the top of the refrigerator is making contact with the bottom of the solid soffit, or the bottom of the anti-tip boards, if anti-tip boards were used. Do not crush the compressor cover.

**IMPORTANT:** Adjust in small increments to keep from damaging the cabinet trim and causing problems with the door alignment or top grille fit. To avoid damage to the cabinet or leveling legs, do not apply more than 50 inch-pounds (5.65 Nm) of torque to the leveling bolts. The leveling legs can be extended to a maximum of 1¼" (3.18 cm) below the rollers.



- A. Two 2" x 4" x 32" (5 cm x 10 cm x 81 cm) boards
- B. Attach to studs with six #8 x 3" (7.6 cm) screws
- C. Compressor cover
- D. Distance from bottom of anti-tip boards to floor

4. After leveling the refrigerator, use a straight edge or 4-ft level going across the front of the refrigerator installation to the cabinets to check that the refrigerator is still flush.

## Install Refrigerator and Panels

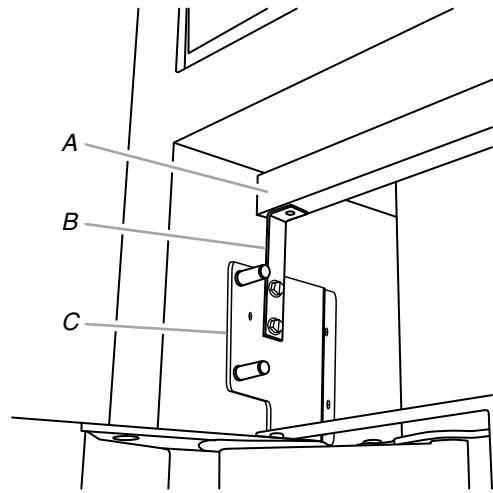
**IMPORTANT:** Jenn-Air is not responsible for the removal or addition of molding or wood overlay panels that would not allow access to the refrigerator for service.

### Install Top Grille Filler (standard installation only)

**IMPORTANT:** The grille panel height allows the necessary airflow for refrigerator performance. The top grille filler hides the upper compartment cover behind the top grille. If you choose to modify the recommended grille panel dimensions, performance will be compromised.

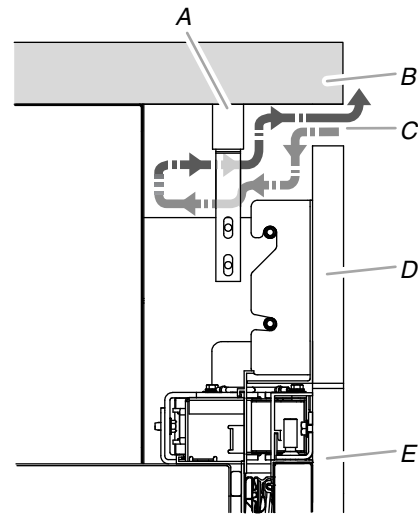
#### Custom Wood Panel Models

1. In the custom made (1" x width of grille panel) wood filler piece, drill a hole 1¼" from each edge.
  - NOTE:** Make sure the hole is centered in the 1" thickness of the wood piece.
2. Using slotted hex-head screws (provided with refrigerator), fasten an "L" bracket to each end of the wood filler piece.
3. Using hex-head blunt screws (provided with refrigerator), attach the "L" brackets to the top grille mounting plates.
4. Adjust the "L" brackets, so that the wood filler piece is flush with the bottom of the soffit. Completely tighten the screws.



- A. Top grille filler
- B. "L" bracket
- C. Grille mounting plate

### Side View



- A. Top grille filler
- B. Soffit
- C. Airflow
- D. Grille panel
- E. Door panel

### Stainless Steel Panel Kit Models

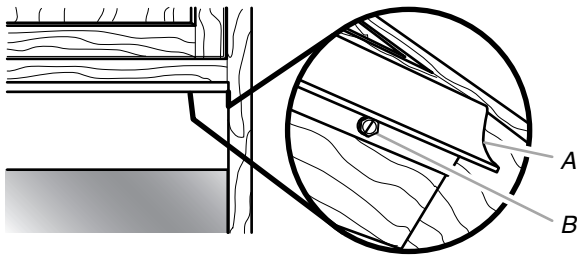
## ⚠ WARNING

### Excessive Weight Hazard

**Use two or more people to move and install panels.  
Failure to do so can result in back or other injury.**

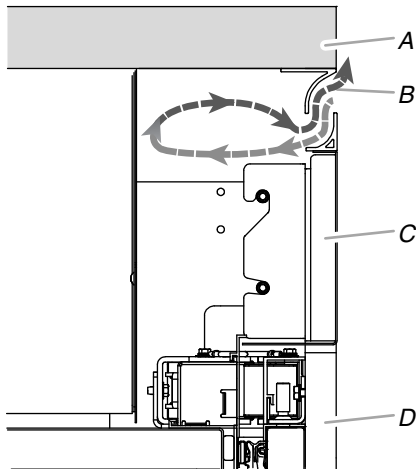
1. Align top grille vent (provided in the door kit) with the bottom edge of the soffit. Use as a template, and mark where to drill the holes.

- Using slotted hex-head screws (provided with refrigerator), attach the top grille vent to the soffit.



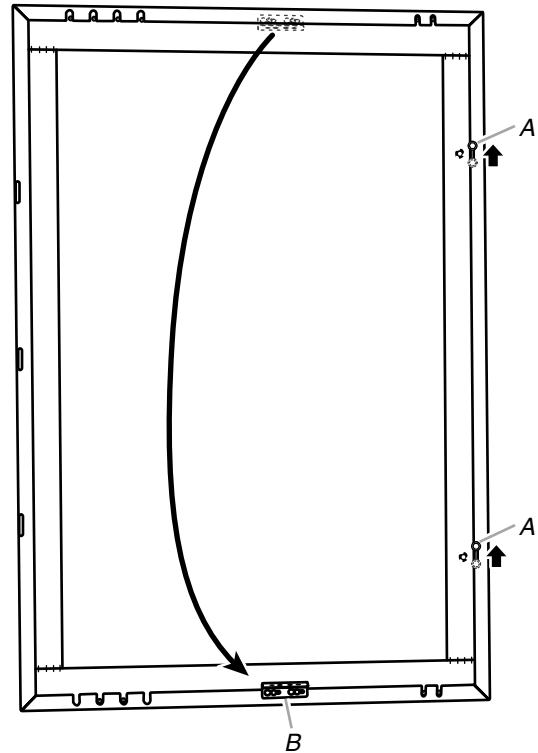
A. Top grille vent  
B. Slotted hex-head screw

#### Side View



A. Soffit  
B. Airflow  
C. Grille panel  
D. Door panel

- Using the installation block as a guide for depth, fasten the shoulder washers with the hex-head pointed screws into the predrilled holes marked with a blue "L."



A. Move shoulder washers from Hole R to Hole L.  
B. Move mounting bracket.

- Peel back the film cover on the door panel in the area of the brackets and shoulder washers only. Do not fully remove the film covering until the installation is complete.

### Jenn-Air Stainless Steel Panel Kits (only)

**IMPORTANT:** The panels included in the panel kits come with the mounting bracket preinstalled and are prepared for installation.

#### 36" Single Door Models - Door Panel Kit (only)

These panels are designed for refrigerator doors with the hinges installed on the right-hand side. If you reverse the door swing, you must move the door panel mounting bracket and the shoulder washers.

#### To modify the door panel for a left-hand swing door:

- Remove the mounting bracket from one end of the door panel and reinstall it on the opposite end of the panel into the predrilled holes.  
**NOTE:** The end with the mounting bracket is now the top of the door panel.
- Remove the hex-head pointed screws and shoulder washers from the holes marked with a red "R."

### Custom Wood Panels - Predrill Panels

**IMPORTANT:** The custom panel template shipped with the refrigerator can be used for either a  $\frac{3}{8}$ " (0.95 cm) or a  $\frac{1}{8}$ " (0.32 cm) reveal installation.

- The drilling templates are used only for custom wood overlay panels.
  - The drilling templates are double-sided.
  - The drilling holes are precut into the template.
- On the template, locate the diagram of your refrigerator. Then, follow the letters and colored arrows to place correctly the drilling template on the back side of the panels.  
**NOTE:** Check the direction of the arrows to determine which holes to mark when the template is aligned at the top of the panel and which holes to mark when the template is aligned at the bottom of the panel.
  - Predrill pilot holes into the wood rails bordering the door(s), drawer and top grille panels.

### Custom Wood Panels - Prepare Panels

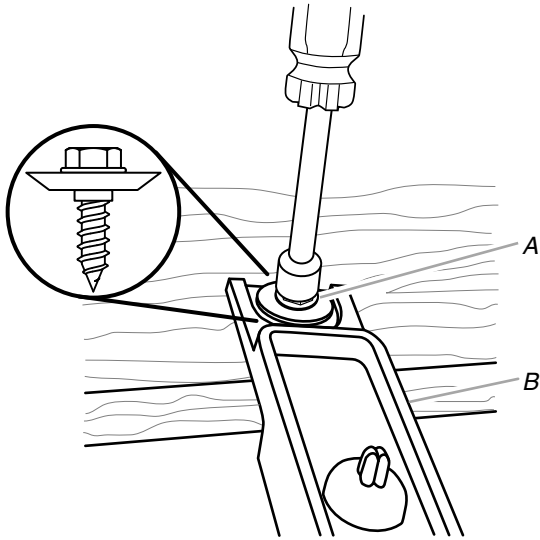
#### Door Panel

**IMPORTANT:** This step is complete on Jenn-Air Stainless Steel Panel Kits.

- Place panels on a firm, covered, flat surface with the front facing down.
- Locate the 2 predrilled holes in the handle side edge of the door panel.



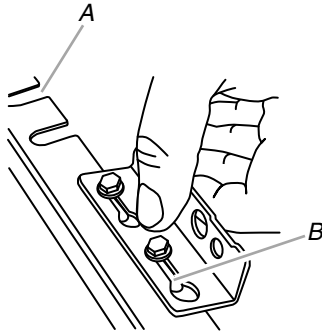
- Using the installation block as a guide for depth, attach a shoulder washer with a hex-head pointed screw (both provided with refrigerator) into the predrilled door panel (2 per door).



A. Shoulder washer and hex-head pointed screw  
B. Installation block

- For the mounting bracket, insert the hex-head pointed screws (provided with refrigerator) into the wood holes at the top of the door panels where they were predrilled.

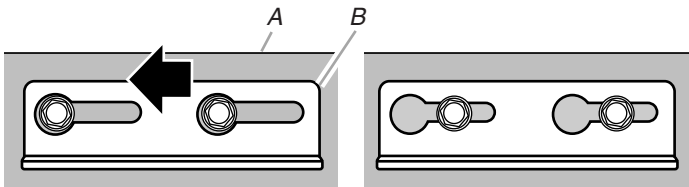
**NOTE:** It is critical to use the  $\frac{5}{8}$ " screw, the longest length provided, to attach the bracket to the top of the door panel.



A. U-shaped hole  
B. Slot

- Attach a panel top bracket to the top edge of the door panel(s) by placing the large ends of the keyhole slots over the screws and sliding the bracket so that the screws are centered in the slots.

**NOTE:** Start with the screws in the center of the slots as shown, then move the door panel, as necessary, to align.

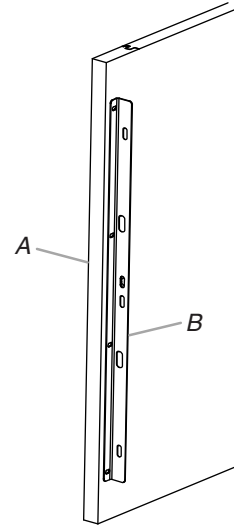


A. Door panel  
B. Panel top bracket

## Drawer Panel

**IMPORTANT:** This step is complete on Jenn-Air Stainless Steel Panel Kits.

- Using the Phillips-head flat screws (provided with refrigerator), fasten a drawer panel bracket to each side of the drawer panel, as shown.



A. Drawer panel  
B. Drawer panel mounting bracket

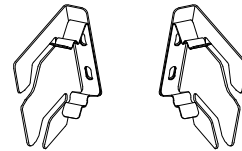
## Top Grille Panel

**IMPORTANT:** This step is complete on Jenn-Air Stainless Steel Panel Kits.

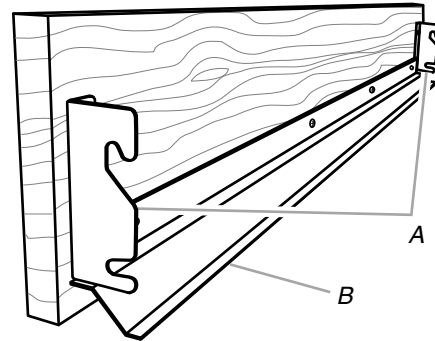
- Using the slotted hex-head screws (provided with refrigerator), attach a mounting bracket to each side of the top grille panel.

**IMPORTANT:** See the "Parts Provided" section to select the brackets designated for your installation.

- Use the Fully Integrated Grille brackets for a fully integrated grille installation with a full height grille.



- Use the standard grille brackets for a Standard Integrated Grille installation, as shown.



A. Top grille brackets  
B. White, grille trim piece  
(taped to refrigerator door)

- Using round-head screws (provided with refrigerator), attach the grille trim piece to the bottom of the grill panel.

**NOTE:** The grille trim piece in the stainless steel panel kits is preinstalled on the grille.

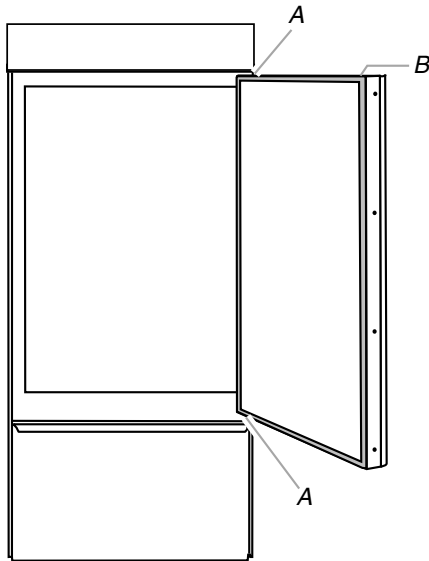


## Remove Trim Pieces

1. Remove all tape and door bracing from the refrigerator and freezer doors.
2. Open the refrigerator and freezer doors.
3. Remove the hinge cover trim pieces from the top and bottom of the door to expose the holes in the hinges.

### NOTES:

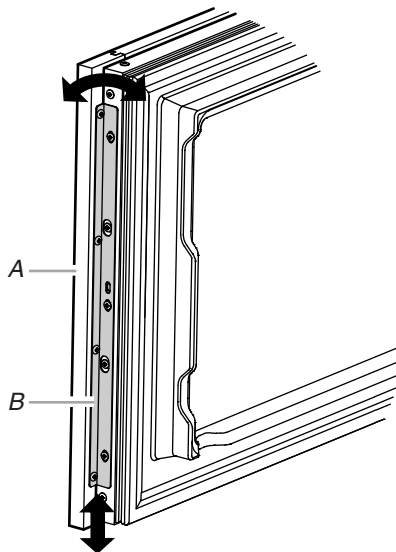
- It is not necessary to remove the hinge side trims as they will not interfere with the installation.
- Leave the freezer drawer trims in place for installation.



A. Hinge cover pieces  
B. Door adjustment pin cover

## Install Drawer Panel

1. Align the slots in the door panel brackets, located on each side of the drawer panel, with the holes that go through the drawer trim and into the drawer.
2. Using Phillips-head flat screws (provided with refrigerator), attach the brackets to the drawer.
3. Move the drawer panel up and down or from side to side to align. Do not fully tighten the screws.

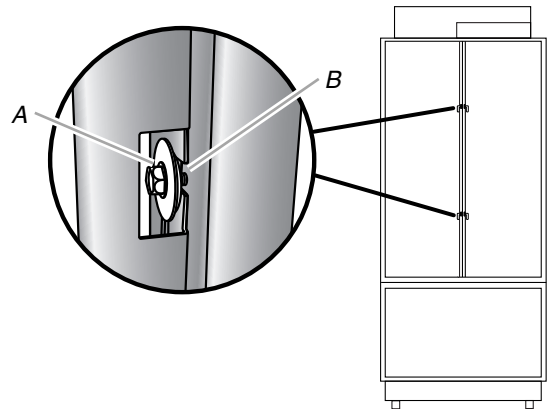


A. Drawer overlay panel  
B. Drawer panel bracket

## Install Door Panels

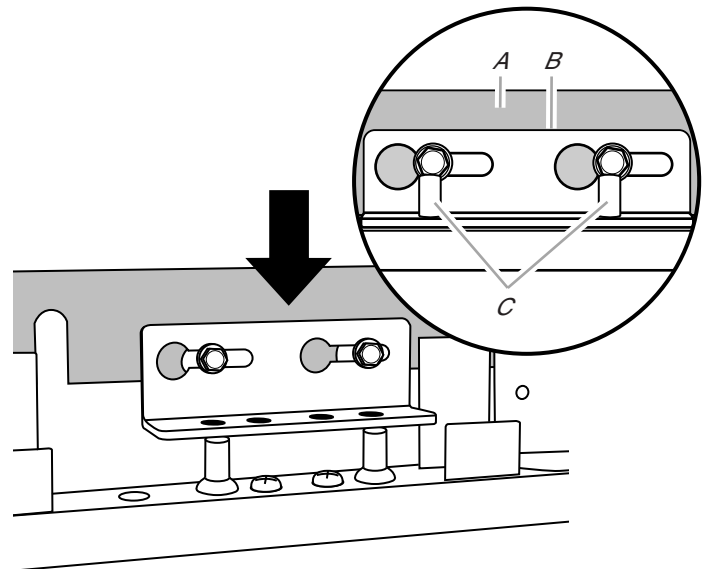
**IMPORTANT:** Use the foam packaging to prop and hold the door(s) open while installing a door panel.

1. Align the two shoulder washers, on the back of the door panel, with the "J" slots on the side of the refrigerator door. Slide the panel onto the door.



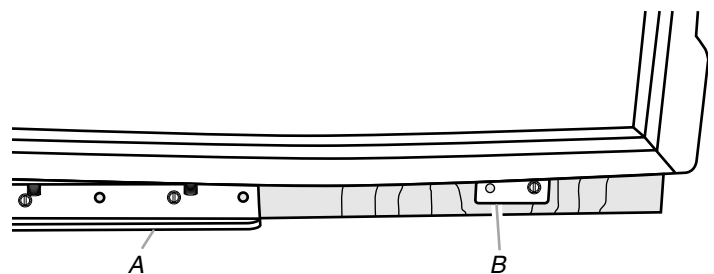
A. Shoulder washer and hex-head pointed screw  
B. "J" slot

2. Lower the panel bracket down onto the adjustment pins at the top of the door.



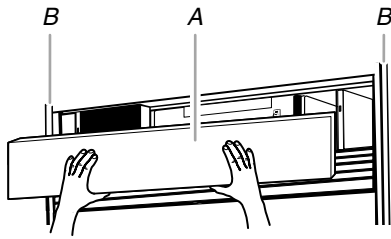
A. Door panel  
B. Panel top bracket  
C. Adjustment pins

3. French door models, repeat steps 1 through 2 to install the second door panel.
4. Using slotted hex-head screws (provided with refrigerator), attach the mounting bracket (factory installed), located at the bottom of the refrigerator and freezer doors, to the respective door panels. Do not fully tighten the screw.



A. Bottom hinge  
B. Mounting bracket

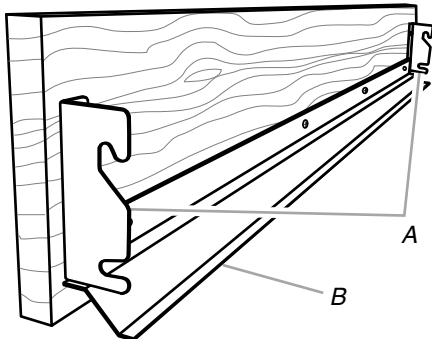
## Install Top Grille Panel



A. Top grille panel  
B. Cabinet sides

## Standard Integrated Grille Installation

1. Hook the panel brackets onto the mounting bolts extending from the top of the refrigerator.

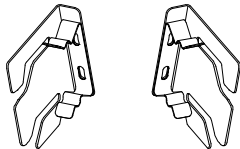


A. Panel brackets  
B. Grill trim piece

2. Pull the grille panel down slightly to lock into place.

## Fully Integrated Grille Installation—Full Height Grille

1. Align the bracket on each side of the top grille panel with the mounting bolts.

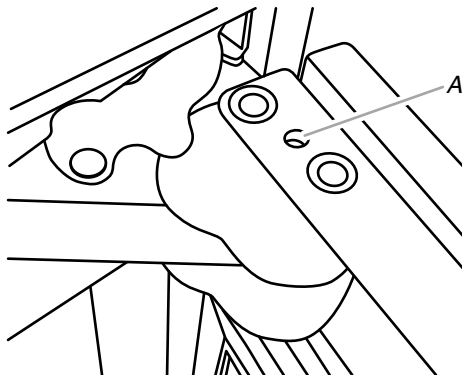


2. Push the grille panel forward until the bracket snaps into place.

## Door Swing Adjustment

It may be necessary to adjust the swing of the door(s). Make sure the refrigerator door(s) can open freely. If the door(s) opens too wide, install the door stop pin (provided with refrigerator).

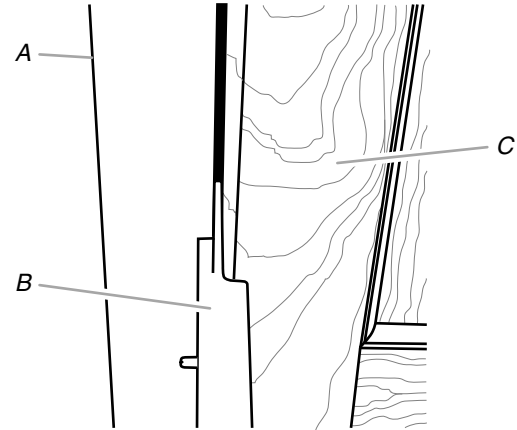
1. Hold the door open to a position that is less than 90°.
2. Insert the door stop pin into the top hinge in the hole shown.
3. Using a  $\frac{5}{32}$ " hex key, tighten the door stop pin.



A. Door stop pin hole

## Complete Panel Installation

1. Use the installation block to measure the gaps between the panels and adjacent cabinets.
  - Custom wood overlay panels may be made with a  $\frac{3}{8}$ " (0.95 cm) or  $\frac{1}{8}$ " (0.32 cm) gap between the panel and cabinets and a  $\frac{1}{8}$ " (0.32 cm) gap between the freezer and refrigerator door(s) and the door(s) and top grille.
  - All stainless steel panel kits require a  $\frac{3}{8}$ " (0.95 cm) gap between the panel and the cabinets and a  $\frac{1}{8}$ " (0.32 cm) gap between the freezer and refrigerator door(s), and the door(s) and top grille.

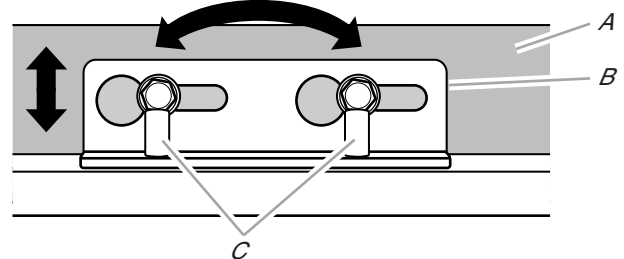


A. Adjacent cabinet  
B. Installation block  
C. Panel on door

2. Adjust the panel to achieve the required spacing, or to align.
 

**IMPORTANT:** If adjustments are needed, adjust the panel, not the door. Adjust left to right in the mounting bracket before using the pins to adjust the panel up and down or at an angle.

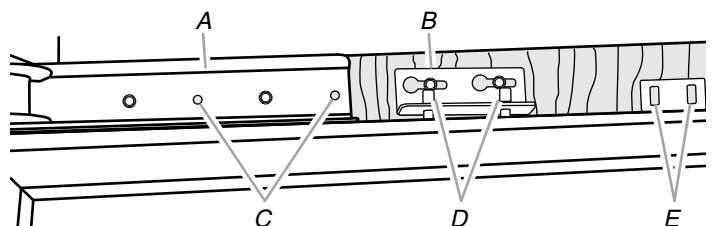
  - Slide the panel from side to side in the keyhole slot.
  - Use a  $\frac{5}{32}$ " hex key to raise or lower the adjustment pins which allows the door panel to swivel.



A. Door panel  
B. Panel top bracket  
C. Adjustment pins

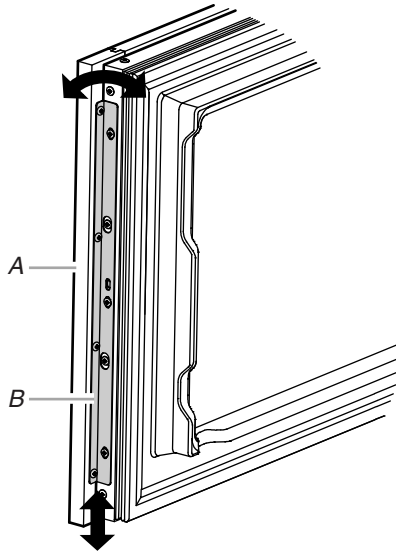
3. Predrill pilot holes, using an  $\frac{3}{32}$ " drill bit, into the door panel(s) through the open holes in both the bottom and top hinges.
4. Using the slotted hex-head screws (provided with refrigerator), attach the top and bottom hinges to the door panels. Fully tighten all door panel screws.

**NOTE:** For 36" single door models, there is an additional bracket at the top to fasten the panel to the door. Insert the screws through the bracket into the door panel.



A. Top hinge  
B. Panel top bracket  
C. Holes for screws  
D. Door adjustment pins  
E. Holes for screws (36" models only)

5. Using slotted hex-head screws (provided with refrigerator) for each side, attach the door panels to the hinge-side door trims.
6. Using Phillips-head flat screws (provided with refrigerator), install the handle side door trim.
7. Completely tighten the screws attaching the mounting brackets, located at the bottom of the doors, to the panels.
8. Reinstall the top door trim and hinge cover.
9. Snap the door adjustment pin cover (provided with refrigerator) into place.
10. If necessary, adjust the drawer panel to align and fully tighten all drawer panel screws.



A. Drawer overlay panel  
B. Drawer panel bracket

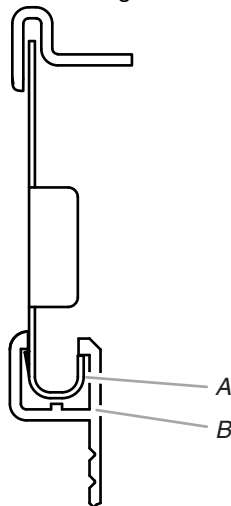
## Install Base Grille

There are two pieces to the base grille to allow for a custom fit: the base grille itself and the skirt. The skirt can be added to the base grille in order to extend it all the way to the floor.

1. To see whether the skirt is needed, place the base grille into position. Do not attach the base grille to the refrigerator. Measure the distance between the bottom of the base grille and the floor. The gap must be a minimum of ½" (1.27 cm) in order to add the skirt.

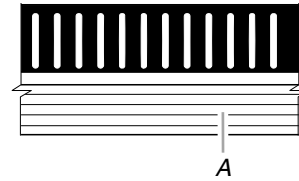
**NOTE:** If the gap measures less than ½" (1.27 cm), skip steps 3 and 4 of the instructions, and install the base grille only.

2. Remove the film from the base grille.
3. Snap the skirt onto the base grille.



A. Base grille  
B. Skirt

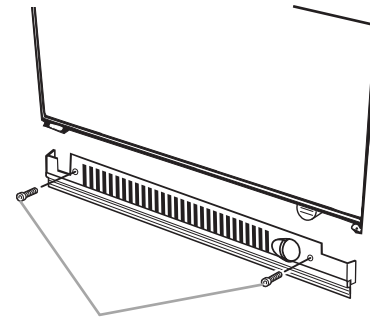
4. Trim the skirt by scoring the proper "V" groove with a utility knife. Break the skirt at the score line.



A. "V" groove

5. Using the two screws, attach the base grille assembly to the refrigerator as shown.

**NOTE:** Drive in the right side screw first.



A. Screws (2)

## Complete Installation

1. Turn the water supply line valve to the "Open" position.
2. Turn the refrigerator switch to the ON position. See "Power On/Off Switch" in the Use & Care Guide for instructions. Wait a few minutes. Check the water line connections for leaks.
3. Remove all boxes, parts packages and packing materials from the interior of the refrigerator. See the "Cleaning" section in the Use & Care Guide for instructions. Remove the film and cardboard from the grille and doors or door frame, depending on your model.
4. Install the shelves and bins in the refrigerator and freezer compartments.
5. The controls are preset at the factory to the midpoint setting. Check that the compressor is operating properly and that all the lights are working.
6. Flush the water system before use. See "Water System Preparation."

To get the most efficient use from your new built-in refrigerator, read the Use & Care Guide. Keep Installation Instructions and Use & Care Guide near the built-in refrigerator for easy reference.

---

## Notes

# SEGURIDAD DEL REFRIGERADOR

## Su seguridad y la seguridad de los demás es muy importante.

Hemos incluido muchos mensajes importantes de seguridad en este manual y en su electrodoméstico. Lea y obedezca siempre todos los mensajes de seguridad.



Este es el símbolo de advertencia de seguridad.

Este símbolo le llama la atención sobre peligros potenciales que pueden ocasionar la muerte o una lesión a usted y a los demás.

Todos los mensajes de seguridad irán a continuación del símbolo de advertencia de seguridad y de la palabra "PELIGRO" o "ADVERTENCIA". Estas palabras significan:

**⚠ PELIGRO**

Si no sigue las instrucciones de inmediato, usted puede morir o sufrir una lesión grave.

**⚠ ADVERTENCIA**

Si no sigue las instrucciones, usted puede morir o sufrir una lesión grave.

Todos los mensajes de seguridad le dirán el peligro potencial, le dirán cómo reducir las posibilidades de sufrir una lesión y lo que puede suceder si no se siguen las instrucciones.

## ⚠ ADVERTENCIA



### Peligro de Vuelco

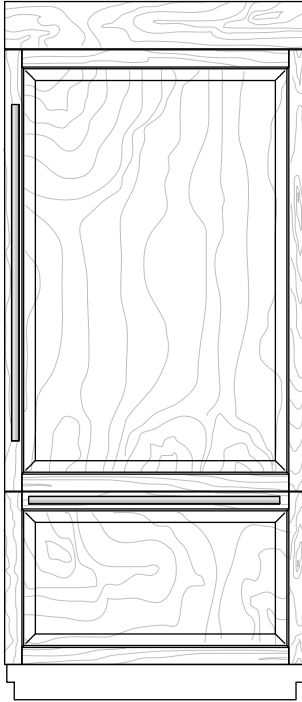
El refrigerador puede volcarse cuando está siendo instalado debido a que la parte superior es pesada.

Mantenga las puertas cerradas con cinta hasta que el refrigerador esté completamente instalado.

Use dos o más personas para mover e instalar el refrigerador.

No seguir estas instrucciones puede ocasionar la muerte o herida seria.

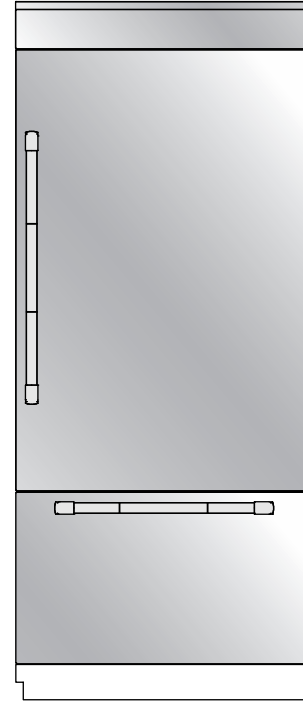
## MODELOS DE UNA PUERTA, DE 36"



### Diseño del panel hecho a la medida

Presenta paneles y piezas hechos a la medida provistos por el fabricante de armarios, para dar una apariencia perfecta, diseñada para armonizar con los armarios de cocina existentes.

**Números de modelos base:** JB36NFXLE, JB36NFXRE



### Diseño de acero inoxidable Pro-Style®

Equipado con puertas con cobertura de acero inoxidable y manijas con grabado en forma de diamante Pro-Style®.

**Números de modelos base:** JB36NFXLE, JB36NFXRE

**Número de modelo del juego:** JPK36BNXEPS



### Diseño Euro-Style de acero inoxidable

Equipado con puertas con cobertura de acero inoxidable y las nuevas manijas Euro-Style, diseñadas para complementar los juegos de electrodomésticos de cocina Jenn-Air® Euro o para realzar la decoración de cualquier cocina.

**Números de modelos base:** JB36NFXLE, JB36NFXRE

**Número de modelo del juego:** JPK36BNXESS

## Accesorios

Todas las piezas de fábrica están disponibles a través de su distribuidor de Jenn-Air o llamando a Jenn-Air al **1-800-JENNAIR (1-800-536-6247)**. En Canadá, llame al **1-800-807-6777**.

### Juegos de manijas para la puerta

Pueden pedirse juegos de manijas únicamente para usarse sobre paneles de madera recubiertos a la medida. Siga las instrucciones del juego para la instalación.

**IMPORTANTE:** Estos juegos de manijas no están diseñados para usarse con juegos de paneles de acero inoxidable de las puertas.

**Diseño Pro-Style® de acero inoxidable—Congelador en la parte inferior—**W10250641

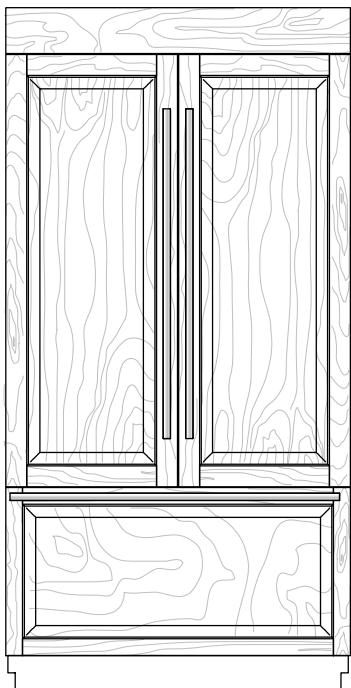
**Diseño Euro-Style de acero inoxidable—Congelador en la parte inferior—**W10250638

### Juego de panel para la puerta estilo armario

Consulte las instrucciones de instalación que vienen con el juego tipo armario, para obtener las dimensiones del panel recubierto de madera a la medida y los detalles de instalación.

**Modelo de 36" (Negro)—**W10663562

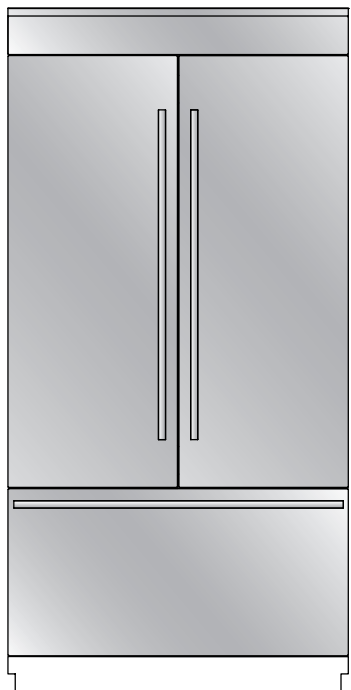
# MODELOS DE DOS PUERTAS CON CONGELADOR EN LA PARTE INFERIOR, DE 36"



## Diseño del panel hecho a la medida

Presenta paneles y piezas hechos a la medida provistos por el fabricante de armarios, para dar una apariencia perfecta, diseñada para armonizar con los armarios de cocina existentes.

**Número de modelo base:** JF36NFXFDE

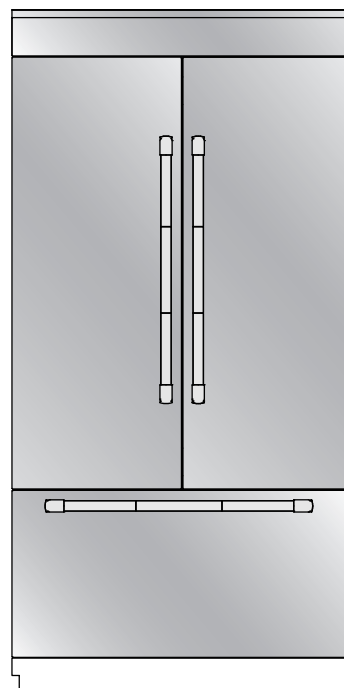


## Diseño Euro-Style de acero inoxidable

Equipado con puertas con cobertura de acero inoxidable y las nuevas manijas Euro-Style, diseñadas para complementar los juegos de electrodomésticos de cocina Jenn-Air® Euro o para realzar la decoración de cualquier cocina.

**Número de modelo base:** JF36NFXFDE

**Número de modelo del juego:** JPK36FNXESS



## Diseño de acero inoxidable Pro-Style®

Equipado con puertas con cobertura de acero inoxidable y manijas con grabado en forma de diamante Pro-Style®.

**Número de modelo base:** JF36NFXFDE

**Número de modelo del juego:** JPK36FNXEPS

## Accesorios

Todas las piezas de fábrica están disponibles a través de su distribuidor de Jenn-Air o llamando a Jenn-Air al **1-800-JENNAIR (1-800-536-6247)**. En Canadá, llame al **1-800-807-6777**.

### Juegos de manijas para la puerta

Pueden pedirse juegos de manijas únicamente para usarse sobre paneles de madera recubiertos a la medida. Siga las instrucciones del juego para la instalación.

**IMPORTANTE:** Estos juegos de manijas no están diseñados para usarse con juegos de paneles de acero inoxidable de las puertas.

**Diseño Pro-Style® de acero inoxidable—Dos puertas con congelador en la parte inferior—W10745429**

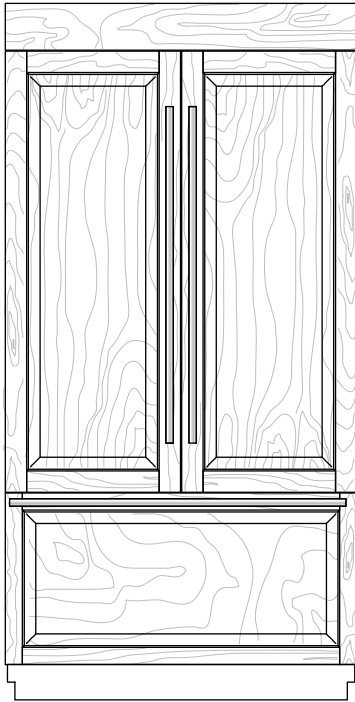
**Diseño Euro-Style de acero inoxidable—Dos puertas con congelador en la parte inferior—W10745430**

### Juego de panel para la puerta estilo armario

Siga las instrucciones del juego para la instalación.

**Modelo de 36" (Negro)—W10663562**

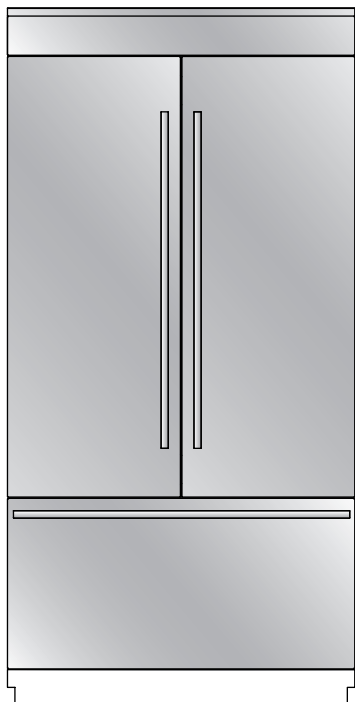
# MODELOS DE DOS PUERTAS CON CONGELADOR EN LA PARTE INFERIOR, DE 42"



## Diseño del panel hecho a la medida

Presenta paneles y piezas hechos a la medida provistos por el fabricante de armarios, para dar una apariencia perfecta, diseñada para armonizar con los armarios de cocina existentes.

**Número de modelo base:** JF42NXFXDE

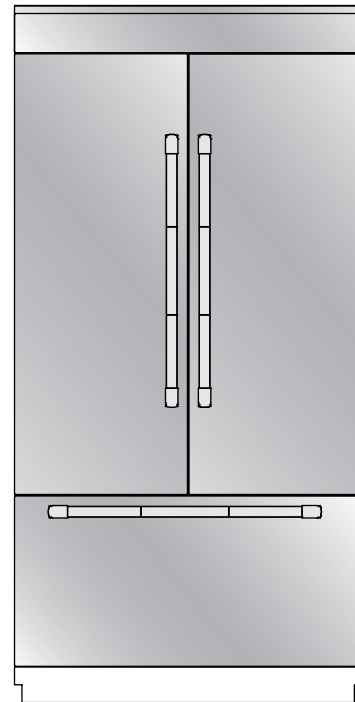


## Diseño Euro-Style de acero inoxidable

Equipado con puertas con cobertura de acero inoxidable y las nuevas manijas Euro-Style, diseñadas para complementar los juegos de electrodomésticos de cocina Jenn-Air® Euro o para realzar la decoración de cualquier cocina.

**Número de modelo base:** JF42NXFXDE

**Número de modelo del juego:** JPK42FNXESS



## Diseño de acero inoxidable Pro-Style®

Equipado con puertas con cobertura de acero inoxidable y manijas con grabado en forma de diamante Pro-Style®.

**Número de modelo base:** JF42NXFXDE

**Número de modelo del juego:** JPK42FNXEPS

## Accesorios

Todas las piezas de fábrica están disponibles a través de su distribuidor de Jenn-Air o llamando a Jenn-Air al **1-800-JENNAIR (1-800-536-6247)**. En Canadá, llame al **1-800-807-6777**.

### Juegos de manijas para la puerta

Pueden pedirse juegos de manijas únicamente para usarse sobre paneles de madera recubiertos a la medida. Siga las instrucciones del juego para la instalación.

**IMPORTANTE:** Estos juegos de manijas no están diseñados para usarse con juegos de paneles de acero inoxidable de las puertas.

**Diseño Pro-Style® de acero inoxidable—Dos puertas con congelador en la parte inferior—**W10250642

**Diseño Euro-Style de acero inoxidable—Dos puertas con congelador en la parte inferior—**W10250639

### Juego de panel para la puerta estilo armario

Siga las instrucciones del juego para la instalación.

**Modelo de 42" (Negro)—**W10663564



# REQUISITOS DE INSTALACIÓN

## Herramientas y piezas

### IMPORTANTE:

- Instalador: Deje las Instrucciones de instalación con el propietario.
- Propietario: Conserve las Instrucciones de instalación para referencia futura. Guarde estas Instrucciones de instalación para tenerlas a disposición del inspector de electricidad local.

### Herramientas necesarias:

Reúna las herramientas y piezas necesarias antes de comenzar la instalación. Lea y siga las instrucciones provistas con cualquiera de las herramientas enlistadas aquí.

- Taladro inalámbrico
- Brocas
- Llaves ajustables (2)
- Destornillador Phillips
- Nivel pequeño
- Llave hexagonal en L de  $\frac{3}{32}$ " (sólo para los juegos de paneles)
- Aprietatuercas de  $1\frac{1}{32}$ "
- Llaves de boca de  $\frac{3}{8}$ " y  $\frac{1}{2}$ "
- Llave hexagonal en L de  $\frac{5}{32}$ " y  $\frac{3}{16}$ "
- Llaves de cubo de  $\frac{1}{4}$ " y  $\frac{5}{16}$ "
- Cinta para medir
- Cuchillo para uso general
- Cinta adhesiva (para pintores)
- Plataforma rodante para electrodomésticos

### Piezas necesarias:

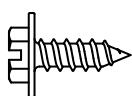

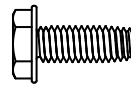
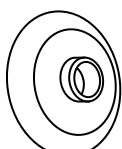
- Tornillos para madera #8 x 3" (7,6 cm) (pudieran necesitarse tornillos más largos) (6)
- Tableros de madera de 2" x 4" x 32" (5 cm x 10 cm x 81 cm) (2)
- Paneles de madera recubiertos a la medida - Consulte con un fabricante de armarios o carpintero calificado para hacer los paneles de madera a la medida. Vea "Paneles de madera recubiertos a la medida" para obtener más información.

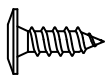
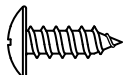
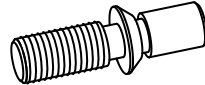
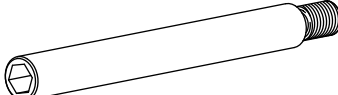
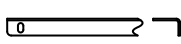
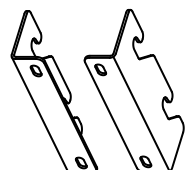
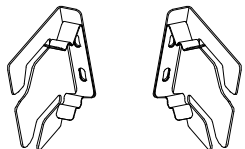
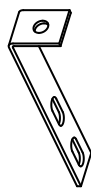


○

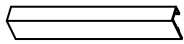
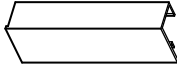
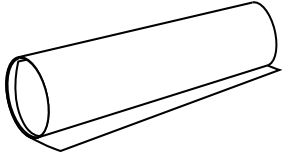

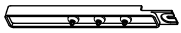
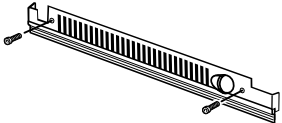
Juegos de paneles - Vea "Modelos de 36" o Modelos de dos puertas, de 42"" para obtener información acerca del juego de paneles.

- Tubería de suministro de agua flexible aprobada por los códigos, una férula, una unión y un accesorio de compresión de  $\frac{1}{4}$ " (6,35 mm).

### Piezas provistas:

 <p>Tornillo de cabeza ranurada hexagonal</p> <p><b>W10141645</b> (21)</p>	 <p>Tornillo puntiagudo de cabeza hexagonal</p> <p><b>W10141189</b> (8)</p>
 <p>Tornillo de cabeza hexagonal romo</p> <p><b>W10142233</b> (4)</p>	 <p>Arandela de tope (usar con un tornillo puntiagudo de cabeza hexagonal)</p> <p><b>W10471946</b> (4)</p>

 <p>Tornillo Phillips de cabeza plana</p> <p><b>8281252</b> (28)</p>	 <p>Tornillo de cabeza redonda plana</p> <p><b>1163283</b> (24)</p>
 <p>Pasador de ajuste de la puerta (pre-instalado)</p> <p><b>W10234194</b> (2)</p>	 <p>Pasador del tope de la puerta</p> <p><b>W10234202</b> (2)</p>
 <p>Soporte del panel del cajón</p> <p><b>W10606815</b> (2)</p>	 <p>Soporte estándar incorporado de rejilla</p> <p><b>W10182743</b>—Izquierdo (1) <b>W10182741</b>—Derecho (1)</p>
 <p>Soporte de rejilla completamente incorporado</p> <p><b>W10260890</b>—Izquierdo (1) <b>W10260891</b>—Derecho (1)</p>	 <p>Soporte en "L" del tablero de relleno</p> <p><b>W10234199</b> (2)</p>
 <p>Soporte superior del panel</p> <p><b>W10667450</b> (2)</p>	 <p>Moldura inferior de la rejilla superior</p> <p><b>W10634858</b>—36" Congelador en la parte inferior (1) <b>W10606812</b>—42" Congelador en la parte inferior, dos puertas (1)</p>

 <p>Cubierta de bisagra-compartimiento del refrigerador</p> <p><b>W10648975</b>—36" Congelador en la parte inferior (derecho)  <b>W10564251</b>—36" Dos puertas, congelador en la parte inferior (derecho)  <b>W10606804</b>—42" Dos puertas, congelador en la parte inferior (derecho)</p>	 <p>Cubierta de bisagra-compartimiento del congelador</p> <p><b>W10611107</b>—36" Congelador en la parte inferior (izquierdo)  <b>W10582015</b>—36" Dos puertas, congelador en la parte inferior (izquierdo)  <b>W10606808</b>—42" Dos puertas, congelador en la parte inferior (izquierdo)</p>
 <p>Plantillas de los paneles</p> <p><b>W10222281</b>—Dos puertas  <b>W10488115</b>—36" Congelador en la parte inferior  <b>W10704869</b>—36" Dos puertas, congelador en la parte inferior  <b>W10488118</b>—42" Dos puertas, congelador en la parte inferior  <b>W10489178</b>—Rejilla</p>	 <p>Cubierta de la puerta del lado de la manija</p> <p><b>W10188556</b>—Congelador en la parte inferior (izquierdo)  <b>W10202604</b>—Congelador en la parte inferior (derecho)  <b>W10202478</b>—Dos puertas, congelador en la parte inferior (derecho)  <b>W10202480</b>—Dos puertas, congelador en la parte inferior (izquierdo)</p>
 <p>Bloque de instalación</p> <p><b>W10234156</b></p>	 <p>Rejilla—Parte inferior/Falda—Rejilla</p> <p><b>W10189198 / W10188549</b>—42" Congelador en la parte inferior  <b>W10189196 / W10188547</b>—36" Congelador en la parte inferior</p>

## Requisitos de ubicación

**⚠ ADVERTENCIA**



**Peligro de Explosión**

**Mantenga los materiales y vapores inflamables, tales como gasolina, alejados del refrigerador.**

**No seguir esta instrucción puede ocasionar la muerte, explosión, o incendio.**

### IMPORTANTE:

- Observe todos los códigos y reglamentos aplicables.
- No se recomienda instalar el refrigerador cerca de un horno, radiador u otra fuente de calor.
- No instale en un lugar donde la temperatura puede ser menor de 55°F (13°C).
- El piso debe soportar el peso del refrigerador: más de 600 lb (272 kg), paneles de puerta y contenido del refrigerador. El piso que está debajo del refrigerador deberá estar al mismo nivel que la habitación. El frente de los armarios debe estar nivelado.
- La altura del techo deberá permitir que haya un arco de vuelco lateral. Vea "Arco de vuelco".
- La ubicación debe permitir que la puerta se abra totalmente. Vea "Medidas de oscilación de las puertas".
- La ubicación debe permitir que se quite la rejilla superior. Vea "Dimensiones de la abertura".

## Dimensiones de la abertura

### IMPORTANTE:

- El ancho de la abertura (Ancho A) de lado a lado deberá ser el especificado para su modelo, por lo menos a una distancia de 2" (5,08 cm) hacia atrás desde la cara del armario.

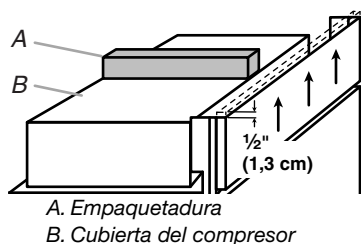
**NOTA:** Si la abertura no cumple con este requisito, deberá hacer modificaciones.

- Deberá instalarse un soffito sólido o armario de pared a 84" (213,4 cm) por encima del piso. Si el soffito sólido está a una altura de más de 84" (213,4 cm) o no hay ninguno disponible, el refrigerador deberá tener un soporte.

Si se necesitan tableros anti-vuelco, deberán estar sujetos a los pies derechos de la pared posterior, de modo que haya una distancia de 84" (213,4 cm) desde la base del tablero anti-vuelco hasta el piso. Vea "Cómo instalar los tableros anti-vuelco" para obtener más información.

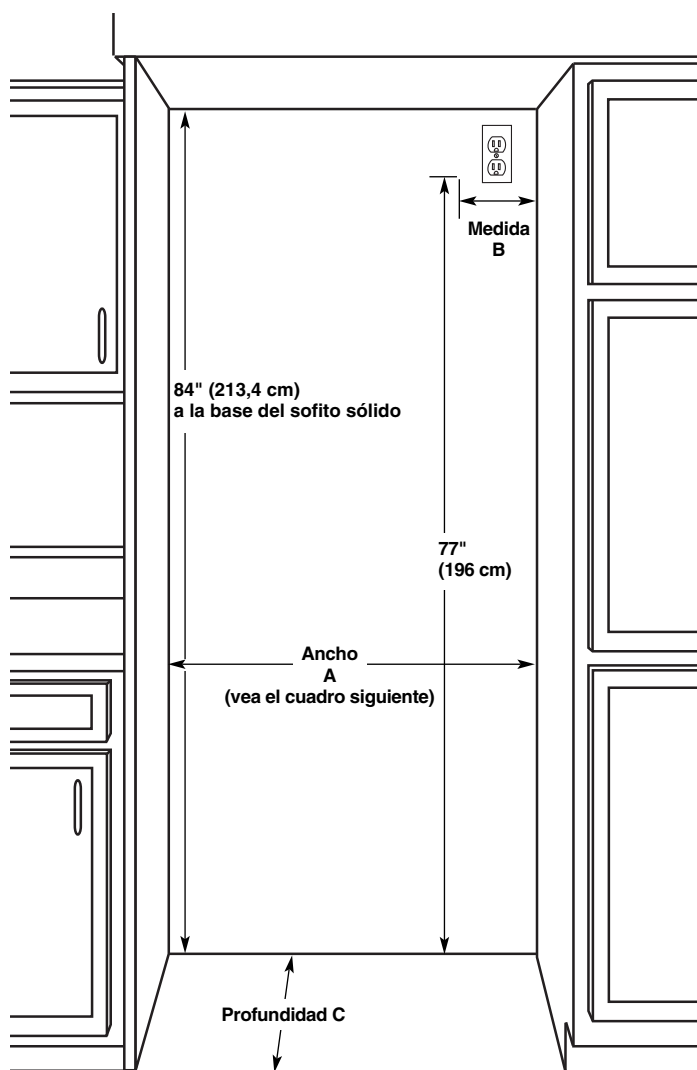
### NOTAS:

- Se debe mantener un espacio de 1/2" (1,3 cm) por encima de la rejilla superior para que ésta pueda ser retirada.
- No retire la empaquetadura de espuma de la parte superior de la cubierta del compresor, a menos que sea necesario para encajar la unidad debajo de un soffito. El quitar la empaquetadura resultará en una pérdida de la eficacia del enfriamiento.
- Si va a instalar debajo de un soffito sólido, levante las patas niveladoras después de la instalación, de modo que la empaquetadura esté ajustada contra el soffito.



- Para una instalación completamente incorporada, se necesitará un espacio abierto mínimo de 6" (15,24 cm) por encima del refrigerador. Vea "Instalación completamente incorporada". Se necesitarán tableros anti-vuelco. Vea "Cómo instalar los tableros anti-vuelco" para obtener más información.
- Un contacto eléctrico de tres terminales con conexión a tierra debe estar ubicado dentro de una medida específica de pulgadas desde los armarios del lado derecho o del panel del extremo. Consulte la tabla que sigue a la ilustración para ver la medida en pulgadas necesaria para su modelo. Para obtener más información, vea "Requisitos eléctricos".

- El cierre del agua deberá estar localizado en el armario inferior, a cualquier lado del refrigerador o en algún otro lugar de fácil acceso. Si la válvula de cierre del agua no está en los armarios, la tubería para la línea del agua puede llegar a través del piso. Vea "Requisitos del suministro de agua" para obtener más información.



Modelo	Ancho A (como se muestra arriba)	Medida B (como se muestra arriba)
36	36" (91,4 cm)	4" (10,2 cm)
42	42" (106,7 cm)	7 1/2" (19,1 cm)

Tipo de instalación	Profundidad C (como se muestra arriba)
Alineamiento estándar (instalación nueva)	25" (63,5 cm) como mínimo
Instalaciones para adiciones posteriores	24" (60,9 cm) como mínimo

## Requisitos eléctricos

### ⚠ ADVERTENCIA



#### Peligro de Choque Eléctrico

Conecte a un contacto de pared de conexión a tierra de 3 terminales.

No quite la terminal de conexión a tierra.

No use un adaptador.

No use un cable eléctrico de extensión.

No seguir estas instrucciones puede ocasionar la muerte, incendio o choque eléctrico.

Antes de mover el refrigerador a su posición definitiva, es importante asegurarse que Ud. tiene la conexión eléctrica adecuada.

#### Método de conexión a tierra recomendado

Se requiere una fuente de energía eléctrica de 115 Voltios, 60 Hz., CA solamente y con fusibles de 15 ó 20 amp, conectada a tierra. Se recomienda que se use un circuito separado sólo para su refrigerador. Use un tomacorriente que no se pueda apagar con un interruptor. No use un cable eléctrico de extensión.

**IMPORTANTE:** Si este producto está conectado a un tomacorriente protegido por un interruptor del circuito de falla eléctrica de puesta a tierra (GFCI - Ground Fault Circuit Interrupter), puede ocurrir un disparo brusco del suministro de corriente, lo que resultará en una pérdida de enfriamiento. Esto puede afectar la calidad y el sabor de los alimentos. Si ha ocurrido un disparo brusco, y el alimento aparenta estar en malas condiciones, deshágase del mismo.

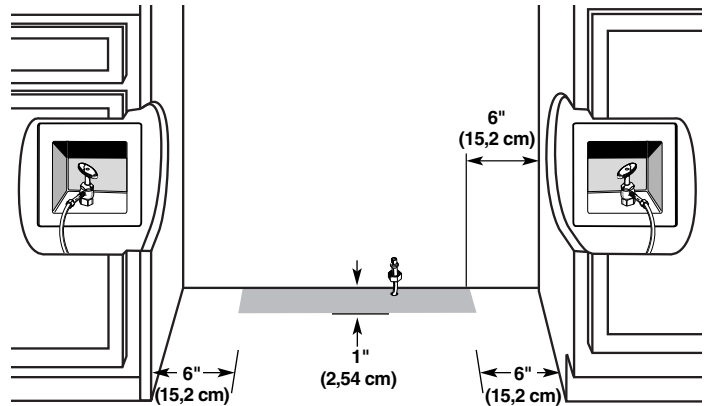
**NOTA:** Antes de realizar cualquier tipo de instalación o limpieza, quite la rejilla superior y ponga el interruptor principal de energía en la posición OFF (Apagado) o desconecte el suministro de energía eléctrica en la caja de cortacircuitos.

Cuando haya terminado, ENCIENDA el interruptor principal de energía o reconecte el suministro de energía en la caja de cortacircuitos. Luego vuelva a ajustar el control en el ajuste deseado.

## Requisitos del suministro de agua

### IMPORTANTE:

- Todas las instalaciones deben hacerse de acuerdo a los requerimientos locales de plomería.
- No habrá espacio suficiente para lograr una instalación alineada si la válvula de cierre de agua está ubicada en la pared que está detrás del refrigerador.
- El cierre del agua deberá estar localizado en el armario inferior, a cualquier lado del refrigerador o en algún otro lugar de fácil acceso. Sin embargo, la línea de suministro de agua deberá pasar a través del piso, en el área sombreada de gris, como se muestra.



- Se debe taladrar un orificio de  $\frac{1}{2}$ " (12,7 mm) para la plomería en el piso, a 6" (15,2 cm) como mínimo del armario lateral izquierdo o derecho, y a no más de 1" (2,54 cm) desde la pared posterior. Vea "Conexión del suministro de agua".
- La conexión del suministro de agua se realiza en el frente del refrigerador.
- Si necesita tubería adicional, use tuberías de cobre y revise si hay fugas. Instale la tubería de cobre sólo en áreas donde la temperatura vaya a permanecer por encima del punto de congelación.
- No use una válvula perforadora o una válvula de montura de  $\frac{3}{16}$ " (4,76 mm) que reduce el flujo de agua y se obstruye con más facilidad.

**NOTA:** El distribuidor de su refrigerador tiene disponible un juego con una válvula de cierre tipo montura de  $\frac{1}{4}$ " (6,35 mm), una unión y tubería de cobre. Antes de comprar, asegúrese que la válvula tipo montura cumpla con los códigos de plomería de su localidad.

### Presión del agua

Se necesita un suministro de agua fría con presión de agua entre 30 y 120 lbs/pulg<sup>2</sup> (207 y 827 kPa) para hacer funcionar el despachador de agua y la fábrica de hielo. Si usted tiene preguntas acerca de la presión de agua, llame a un plomero competente autorizado.

### Suministro de agua de ósmosis inversa

**IMPORTANTE:** La presión del suministro de agua que sale de un sistema de ósmosis inversa y va a la válvula de entrada de agua del refrigerador necesitará ser de entre 30 y 120 lbs/pulg<sup>2</sup> (207 y 827 kPa).

Si se conecta un sistema de filtración de agua de ósmosis inversa al suministro de agua fría, la presión de agua al sistema de ósmosis inversa necesitará ser de un mínimo de 40 a 60 lbs/pulg<sup>2</sup> (276 a 414 kPa).

Si la presión del agua al sistema de ósmosis inversa es menor de 40 a 60 lbs/pulg<sup>2</sup> (276 a 414 kPa):

- Fíjese si el filtro de sedimentos en el sistema de ósmosis inversa está bloqueado y reemplácelo si fuera necesario.
- Deje que se vuelva a llenar el tanque de almacenamiento del sistema de ósmosis inversa después del uso intenso.
- Si su refrigerador tiene un filtro de agua, se podrá reducir la presión aún más si se usa en conjunto con un sistema de ósmosis inversa. Quite el cartucho del filtro de agua.

Si tiene preguntas acerca de la presión del agua, llame a un plomero competente autorizado.

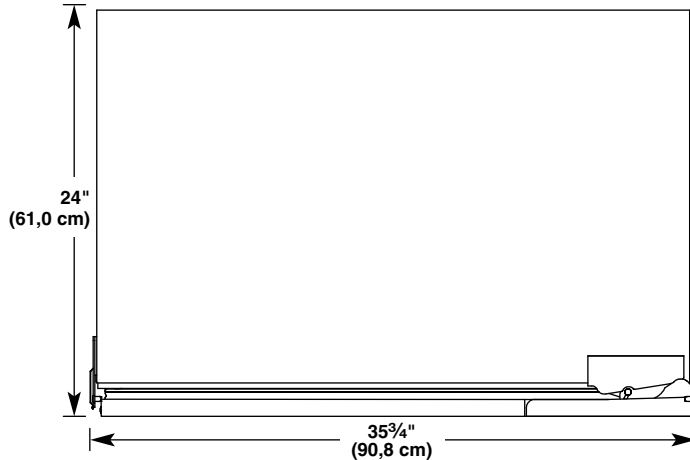
## Dimensiones del producto

### IMPORTANTE:

- La profundidad desde la cara frontal de las puertas hasta la parte posterior de la carcasa del refrigerador es de 24" (60,96 cm) sin paneles.
- El cable de suministro de energía es de 84" (213 cm) de largo.
- La conexión del suministro de agua se realiza en la parte frontal inferior del refrigerador.

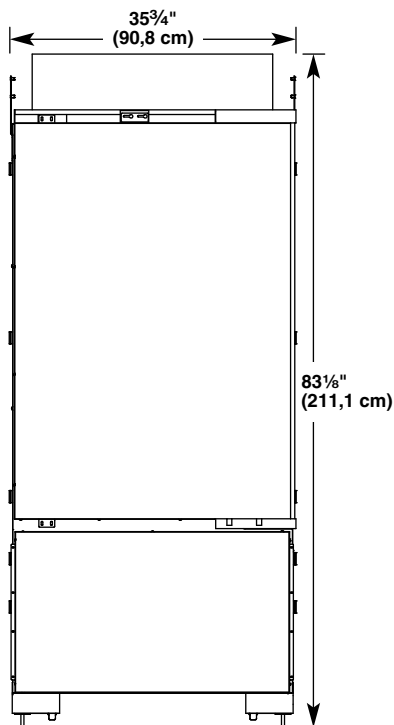
### Modelos de una puerta y modelos de dos puertas de 36" (91,4 cm), congelador en la parte inferior

#### Vista superior



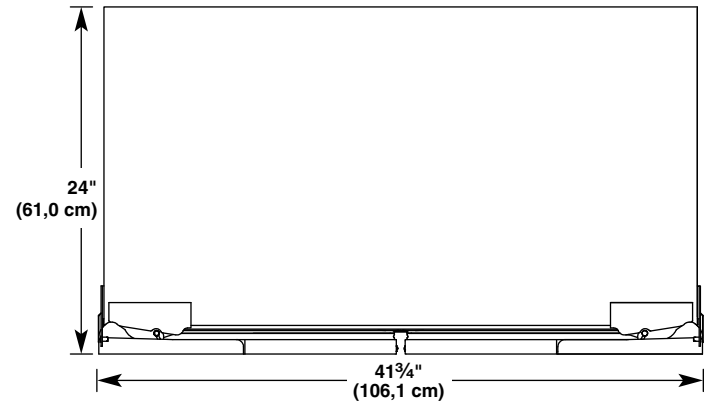
#### Vista frontal

- Las medidas de ancho fueron tomadas desde el borde de la bisagra hasta el borde del sujetador.
- Si las patas niveladoras están totalmente extendidas 1<sup>1</sup>/<sub>4</sub>" (3,2 cm) por debajo de los rodillos, agregue 1<sup>1</sup>/<sub>4</sub>" (3,2 cm) a la medida de la altura.



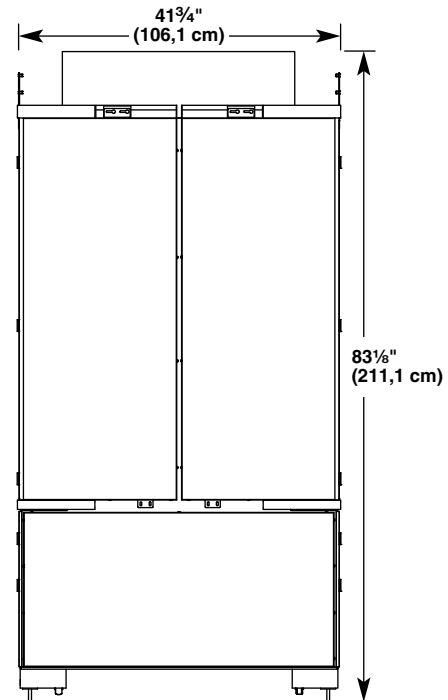
### 42", dos puertas, congelador en la parte inferior

#### Vista superior



#### Vista frontal

- Las medidas de anchura fueron tomadas desde un extremo de la bisagra al otro extremo de la bisagra.
- Si las patas niveladoras están totalmente extendidas 1<sup>1</sup>/<sub>4</sub>" (3,2 cm) por debajo de los rodillos, agregue 1<sup>1</sup>/<sub>4</sub>" (3,2 cm) a la medida de la altura.



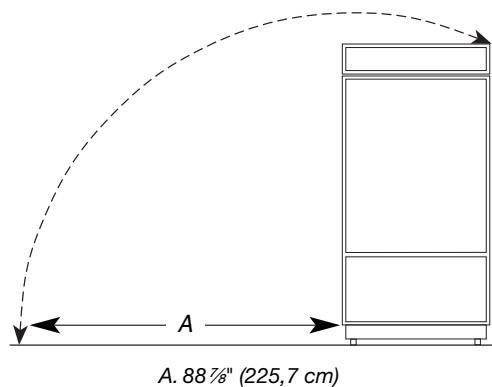
## Arco de vuelco

Asegúrese de que el techo sea lo suficientemente alto para colocar el refrigerador en posición vertical cuando se mueva a su lugar.

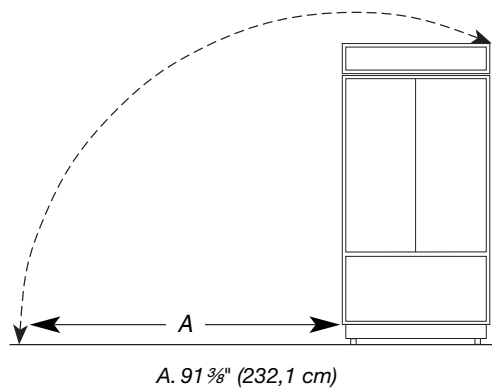
- Si se utiliza una plataforma rodante, se debe agregar la altura de sus ruedas al arco de vuelco.

**NOTA:** Incline solamente de lado.

### Arco de vuelco lateral—Modelos de 36" (91,4 cm)



### Arco de vuelco lateral—Modelos de 42" (106,7 cm)

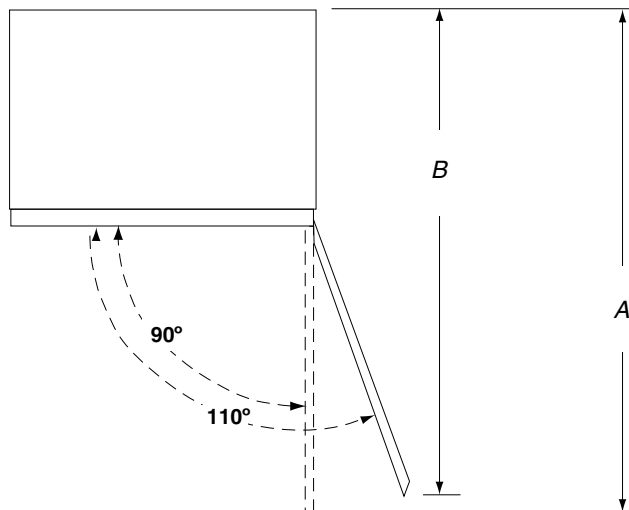


## Medidas de oscilación de las puertas

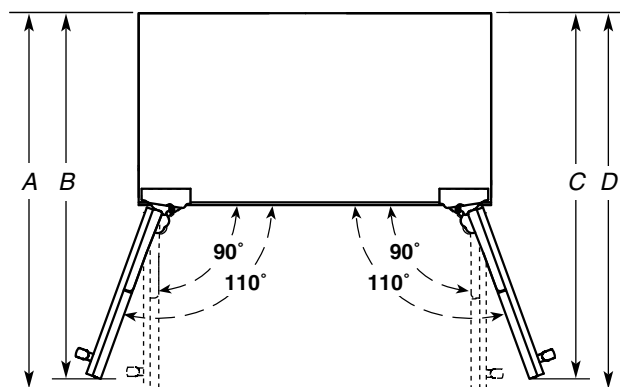
- La ubicación debe permitir que ambas puertas se abran a un mínimo de 90°.
- Deje un espacio mínimo de 4½" (11,4 cm) entre el lado del refrigerador y una esquina de la pared.

**NOTA:** Es posible que se necesite más espacio si va a utilizar paneles recubiertos a la medida, manijas a la medida o manijas extendidas.

### Modelos de una puerta de 36" (91,4 cm)



### Modelos de dos puertas con congelador en la parte inferior, de 36" (91,4 cm) y 42" (106,6 cm)



Modelo	A	B	C	D
36	58¾" (149,2 cm)	56⅝" (143,8 cm)	56⅝" (143,8 cm)	58¾" (149,2 cm)
36 FD	41" (104 cm)	39¾" (101 cm)	39¾" (101 cm)	41" (104 cm)
42 FD	44" (111,8 cm)	42¾" (108,6 cm)	42¾" (108,6 cm)	44" (111,8 cm)

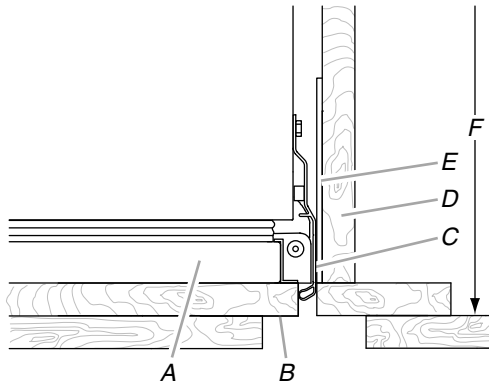
## Opciones para la instalación del armario y los paneles

**NOTA:** Las imágenes que se muestran a continuación muestran las opciones para la configuración de la instalación según la profundidad especificada de los armarios. No se muestran todas las configuraciones posibles.

### Profundidad del armario—25" (63,5 cm)

#### Armarios con marcos

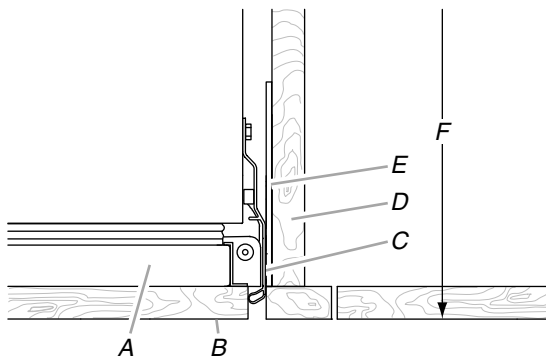
##### Vista superior



- A. Puerta del refrigerador
- B. Panel de la puerta
- C. Moldura lateral
- D. Armario adyacente
- E. Relleno de nivelación
- F. 25" (63,5 cm)

#### Recuadro

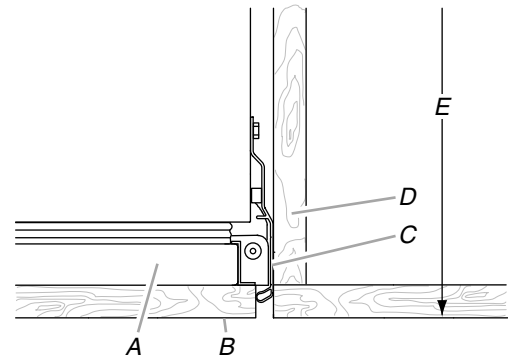
##### Vista superior



- A. Puerta del refrigerador
- B. Panel de la puerta
- C. Moldura lateral
- D. Armario adyacente
- E. Relleno de nivelación
- F. 25" (63,5 cm)

#### Armarios sin marco

##### Vista superior



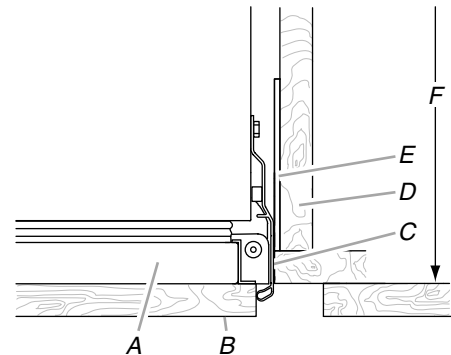
- A. Puerta del refrigerador
- B. Panel de la puerta
- C. Moldura lateral
- D. Armario adyacente
- E. 24" (63,5 cm)

### Profundidad del armario—24" (60,9 cm)

**NOTA:** No es posible hacer una instalación alineada con una abertura de una profundidad de 24" (60,9 cm).

#### Armarios con marcos

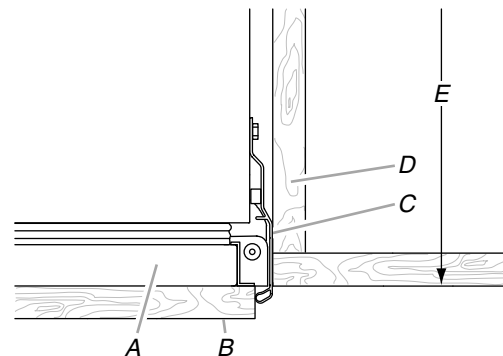
##### Vista superior



- A. Puerta del refrigerador
- B. Panel de la puerta
- C. Moldura lateral
- D. Armario adyacente
- E. Relleno de nivelación
- F. 24" (60,9 cm)

#### Armarios sin marco

##### Vista superior



- A. Puerta del refrigerador
- B. Panel de la puerta
- C. Moldura lateral
- D. Armario adyacente
- E. 24" (60,9 cm)

## Requisitos para la instalación de la rejilla completamente incorporada

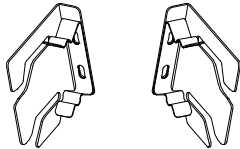
El refrigerador puede instalarse completamente incorporado si los armarios adyacentes cumplen con los requisitos de ventilación y flujo de aire, críticos para el funcionamiento del mismo. Una instalación completamente incorporada no tendrá un espacio visible, ya que la rejilla se extiende hacia arriba, hacia el soffito o el armario superior.

### IMPORTANTE:

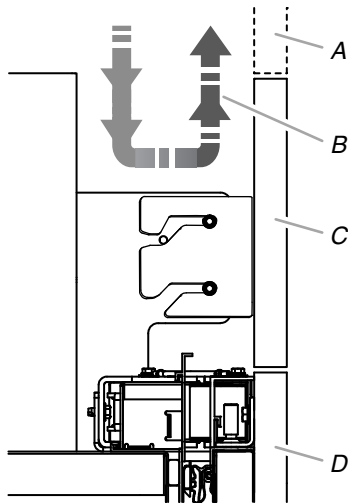
- Una instalación de la rejilla completamente incorporada requiere de un espacio abierto mínimo de 6" (15,24 cm) por encima del refrigerador. Este espacio no deberá estar obstruido de ninguna manera, incluyendo la obstrucción por los soffitos.
- Una instalación de la rejilla completamente incorporada puede lograrse con una abertura de una profundidad de 24" (60,9 cm) o 25" (63,5 cm).
- Se usará una rejilla de altura completa para lograr una instalación completamente incorporada. Use el soporte de la rejilla incorporada (provisto con el refrigerador) para fijar la rejilla de altura completa.

**NOTA:** No se necesitará una rejilla de ventilación superior con la rejilla de altura completa.

### Soporte de la rejilla incorporada



### Instalación de la rejilla completamente incorporada— Vista lateral

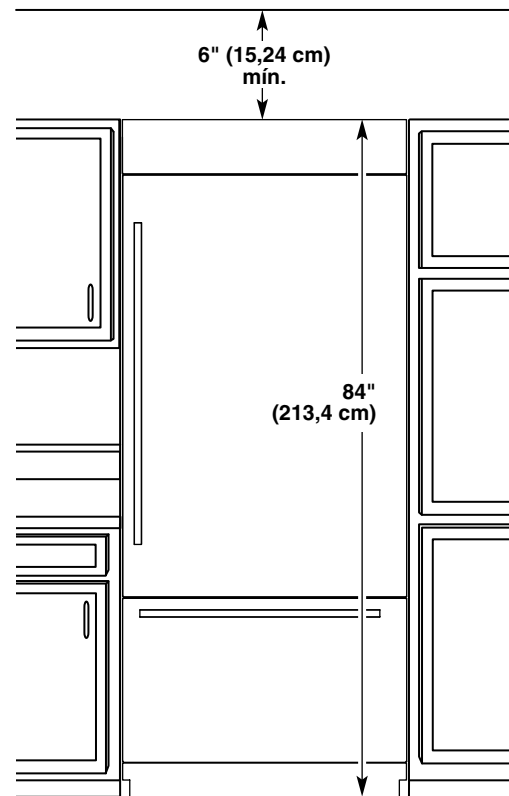


- A. Frente falso (opcional)      C. Rejilla de altura completa\*
- B. Flujo de aire                      D. Panel de la puerta\*

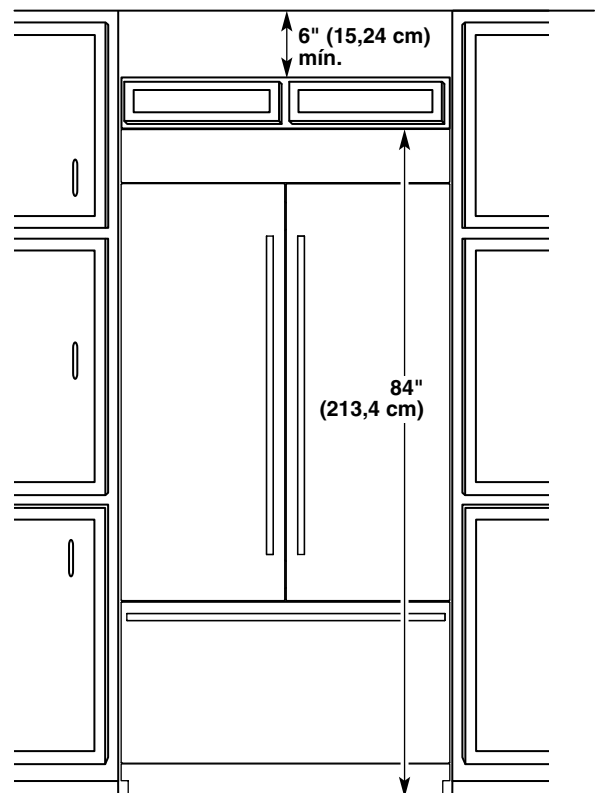
\*C y D son una pieza en la opción de instalación de la puerta de altura completa.

### Opciones para la instalación de la rejilla completamente incorporada

#### Opción 1 — Abierto hacia el techo



#### Opción 2 — Frente falso (solamente la cara del armario)



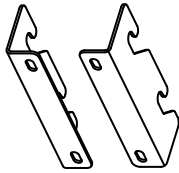


## Requisitos para la instalación de la rejilla incorporada estándar

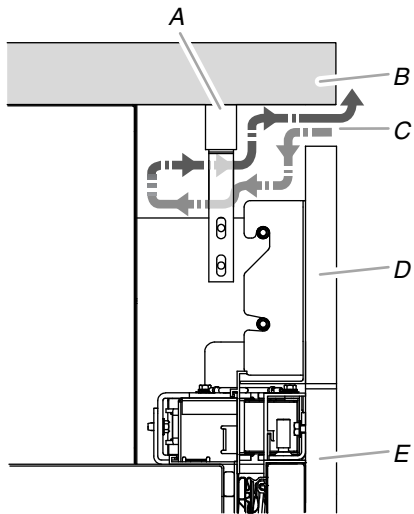
### IMPORTANTE:

- La instalación de la rejilla incorporada estándar puede lograrse con una abertura de una profundidad de 24" (60,9 cm) o 25" (63,5 cm).
- Se usa una rejilla estándar para lograr una instalación de la rejilla incorporada estándar. Use el soporte de la rejilla estándar (provisto con el refrigerador) para sujetar la rejilla estándar.
- La altura del panel de la rejilla, que se muestra en la ilustración de la "Instalación de la rejilla incorporada estándar—Vista lateral", permite un espacio de aire que es crítico para el funcionamiento del refrigerador.

### Soporte de la rejilla estándar



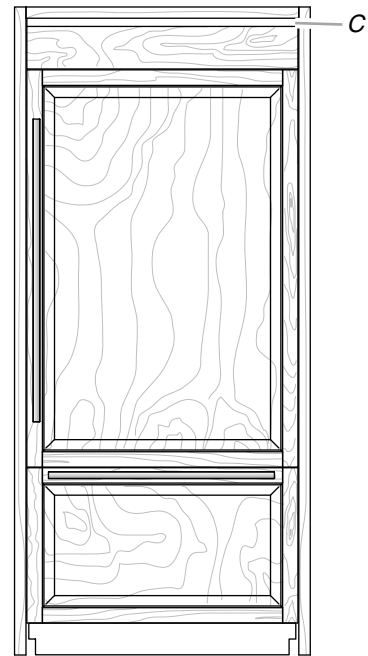
### Instalación de la rejilla incorporada estándar—Vista lateral



A. Cubierta de la rejilla superior  
B. Sofito  
C. Flujo de aire

D. Panel de la rejilla  
E. Panel de la puerta

### Instalación de la rejilla incorporada estándar—Vista completa del producto



C. Flujo de aire

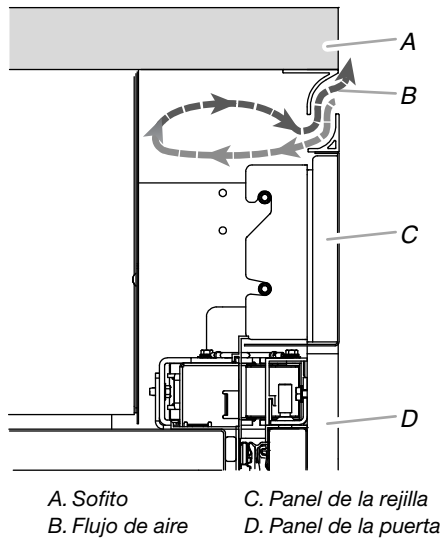
## Requisitos de instalación del juego de paneles de acero inoxidable

Consulte la sección "Modelos de una puerta, de 36"" o "Modelos de dos puertas con congelador en la parte inferior, de 36" y de 42"" para ver las opciones del juego de paneles disponibles para su modelo.

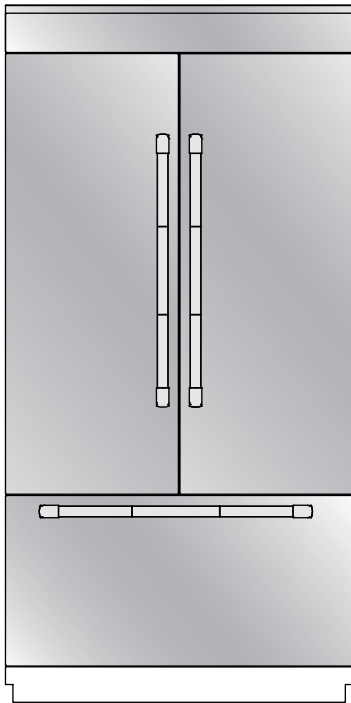
### IMPORTANTE:

- La instalación de un juego de paneles puede lograrse con una abertura de una profundidad de 24" (60,9 cm) o 25" (63,5 cm).
- Consulte las instrucciones provistas con el juego de panel de acero inoxidable para la puerta para instalar los paneles de las puertas y la rejilla estándar.
- La altura del panel de la rejilla, que se muestra en la ilustración de la "Instalación del juego de paneles—Vista lateral", permite un espacio de aire que es crítico para el funcionamiento del refrigerador.
- Consulte las instrucciones provistas con el juego de panel de acero inoxidable para la puerta para instalar los paneles de las puertas y la rejilla estándar.

## Instalación del juego de paneles—Vista lateral



## Instalación del juego de paneles—Vista completa del producto



## Requisitos para los paneles de madera recubiertos a la medida

Los paneles de madera recubiertos a la medida le permiten armonizar el exterior de su refrigerador con la decoración de la cocina y usar las manijas a la medida para mayor flexibilidad en el diseño.

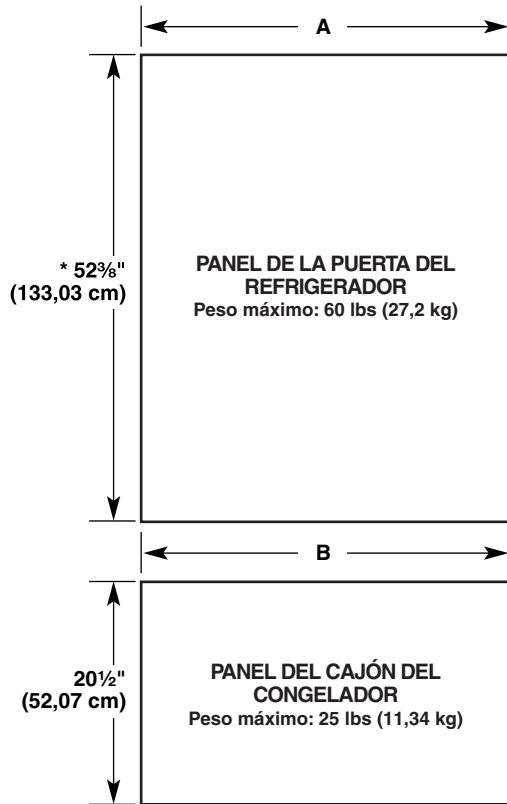
En algunos casos, su fabricante de armarios puede elegir trabajar con un panel trazado para las diferentes medidas. Siga estas medidas de panel e instrucciones de ubicación para asegurarse de que los paneles de madera recubiertos a la medida encajarán adecuadamente.

### IMPORTANTE:

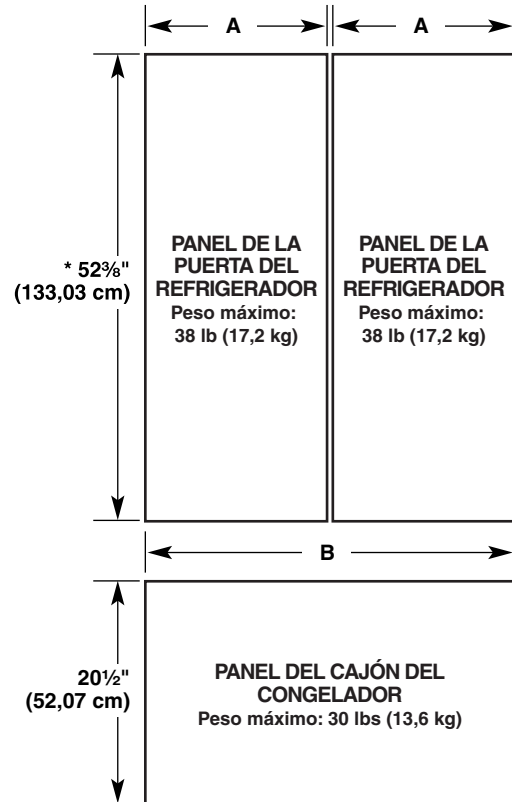
- Para los modelos de una puerta de 36" (91,4 cm), el peso del panel de madera recubierto de la puerta del refrigerador no puede ser mayor de 60 lb (27,2 kg), y el peso del panel recubierto del cajón del congelador no puede ser mayor de 25 lb (11,3 kg).
- Para los modelos de dos puertas con congelador en la parte inferior de 36", el peso del panel de madera recubierto de la puerta del refrigerador no puede ser mayor de 38 lb (17,2 kg) y el peso del panel recubierto del cajón del congelador no puede ser mayor de 25 lb (11,3 kg).
- Para los modelos de dos puertas con congelador en la parte inferior de 42" (106,7 cm), el peso del panel de madera recubierto de la puerta del refrigerador no puede ser mayor de 38 lb (17,2 kg), y el peso del panel recubierto del cajón del congelador no puede ser mayor de 30 lb (13,6 kg).
- El peso del panel de madera recubierto de la rejilla superior no puede ser mayor de 7 lb (3,2 kg) para ambos modelos.
- El espesor necesario para todos los paneles es de  $\frac{3}{4}$ " (1,91 cm).
- Esta instalación no requiere paneles de cubierta ni de soporte.

## Dimensiones de los paneles de madera recubiertos a la medida

### Modelo de una puerta de 36" (91,4 cm) – Paneles de la puerta y del cajón



### Modelos de dos puertas con congelador en la parte inferior, de 36" (91,4 cm) y 42" (106,7 cm) – Paneles de la puerta y del cajón



#### ⚠ CUIDADO

#### Peligro de pellizcos

Si se instalan los paneles de la puerta con un espacio menor de  $\frac{3}{8}$ " (0,95 cm) entre el panel de la puerta y el armario adyacente, aumentará el riesgo de pellizcos potenciales.

#### ⚠ CUIDADO

#### Peligro de pellizcos

Si se instalan los paneles de la puerta con un espacio menor de  $\frac{3}{8}$ " (0,95 cm) entre el panel de la puerta y el armario adyacente, aumentará el riesgo de pellizcos potenciales.

Modelo	Una puerta, congelador en la parte inferior, de 36"	
Mocheta	$\frac{3}{8}$ "	$\frac{1}{8}$ "
A	35 $\frac{1}{4}$ " (89,54 cm)	35 $\frac{3}{4}$ " (90,81 cm)
B	35 $\frac{1}{4}$ " (89,54 cm)	35 $\frac{3}{4}$ " (90,81 cm)

\*Para instalaciones con rejilla completamente incorporada o con rejilla estándar.

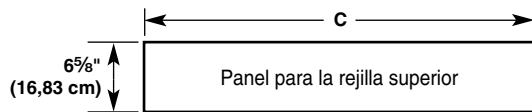
Modelo	Dos puertas, congelador en la parte inferior, de 36"	
Mocheta	$\frac{3}{8}$ "	$\frac{1}{8}$ "
A	17 $\frac{9}{16}$ " (44,6 cm)	17 $\frac{13}{16}$ " (45,2 cm)
B	35 $\frac{1}{4}$ " (89,5 cm)	35 $\frac{3}{4}$ " (90,8 cm)

Modelo	Dos puertas, congelador en la parte inferior, de 42"	
Mocheta	$\frac{3}{8}$ "	$\frac{1}{8}$ "
A	20 $\frac{9}{16}$ " (52,23 cm)	20 $\frac{13}{16}$ " (52,86 cm)
B	41 $\frac{1}{4}$ " (104,78 cm)	41 $\frac{3}{4}$ " (106,05 cm)

\*Para instalaciones con rejilla completamente incorporada o con rejilla estándar.

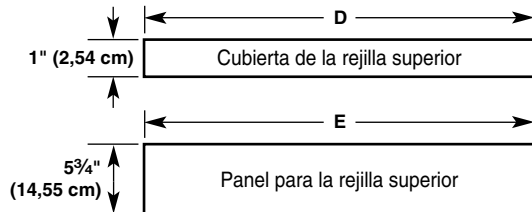
## Panel de la rejilla

### Instalación incorporada— Rejilla de altura completa— Sofito abierto



Modelo	36	42		
Mocheta	3/8"	1/8"	3/8"	1/8"
C	35 1/4" (89,54 cm)	35 3/4" (90,81 cm)	41 1/4" (104,78 cm)	41 3/4" (106,05 cm)

### Instalación de la rejilla incorporada estándar— Sofito abierto o cerrado



Modelo	36	42		
Mocheta	3/8"	1/8"	3/8"	1/8"
D	35 1/4" (89,54 cm)	35 3/4" (90,81 cm)	41 1/4" (104,78 cm)	41 3/4" (106,05 cm)
E	35 1/4" (89,54 cm)	35 3/4" (90,81 cm)	41 1/4" (104,78 cm)	41 3/4" (106,05 cm)

**IMPORTANTE:** La altura del panel de la rejilla, que se muestra en la ilustración de la "Instalación de la rejilla incorporada estándar", permite un espacio de aire que es crítico para el funcionamiento del refrigerador.

### Instalación de puerta de altura completa - Sin rejilla - Sofito abierto

En la instalación de la puerta de altura completa, no se usa rejilla. Use un juego tipo armario para enmascarar el sistema de enfriamiento, ubicado en la parte superior del refrigerador, que es visible cuando las puertas están abiertas. Vea las instrucciones provistas con el juego tipo armario para obtener detalles acerca de la instalación y las dimensiones de la puerta recubierta de madera a la medida.

# INSTRUCCIONES DE INSTALACIÓN

## Desempaque el refrigerador

### ⚠ ADVERTENCIA



#### Peligro de Vuelco

El refrigerador puede volcarse cuando está siendo instalado debido a que la parte superior es pesada.

Mantenga las puertas cerradas con cinta hasta que el refrigerador esté completamente instalado.

Use dos o más personas para mover e instalar el refrigerador.

No seguir estas instrucciones puede ocasionar la muerte o herida seria.

#### IMPORTANTE:

- No quite la película que cubre el refrigerador hasta que esté en su ubicación para el funcionamiento.
  - Las cuatro patas niveladoras deberán hacer contacto con el piso para soportar y estabilizar el peso total del refrigerador.
  - Mantenga la pieza de cartón de empaque o de madera contrachapada debajo del refrigerador hasta que lo instale en su ubicación para el funcionamiento.
1. Retire y guarde el material impreso y el juego de piezas ubicados en el interior del refrigerador. Retire y guarde el material impreso, la rejilla y la moldura, que están pegados con cinta adhesiva en el exterior del refrigerador.

**NOTA:** No quite la cinta ni los refuerzos de las puertas hasta que el refrigerador esté en su ubicación final.

## Cómo introducir el refrigerador en la casa

### ⚠️ ADVERTENCIA



#### Peligro de Vuelco

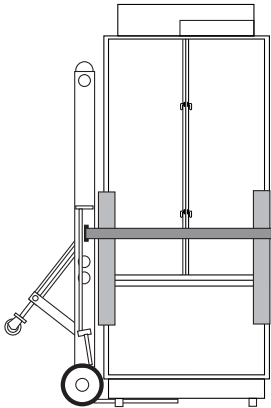
El refrigerador puede volcarse cuando está siendo instalado debido a que la parte superior es pesada.

Mantenga las puertas cerradas con cinta hasta que el refrigerador esté completamente instalado.

Use dos o más personas para mover e instalar el refrigerador.

No seguir estas instrucciones puede ocasionar la muerte o herida seria.

1. Coloque una plataforma rodante para electrodomésticos debajo del lado izquierdo del refrigerador, como se muestra. Coloque los esquinales de los materiales de empaque sobre las molduras, según sea necesario. Apriete el fleje lentamente.



2. Coloque unos tramos de cartón del empaque en el piso cuando haga rodar la plataforma rodante y el refrigerador al interior de la casa. Acerque el refrigerador a la abertura donde se va a empotrar.
3. Coloque la parte superior del empaque de cartón o madera contrachapada debajo del refrigerador.
4. Coloque el refrigerador en posición vertical. En primer lugar, coloque el borde inferior izquierdo del refrigerador en el piso, coloque el refrigerador en posición vertical y después baje el lado derecho del refrigerador hacia el piso.

## Cómo instalar los tableros antivuelco

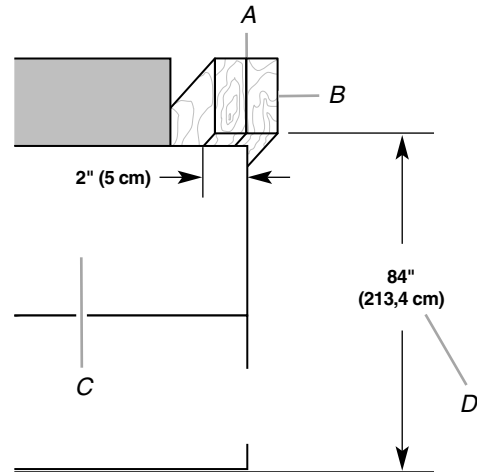
### IMPORTANTE:

- Si no hay disponible un soffito sólido, deberán instalarse tableros anti-vuelco.
- Se recomienda que los tableros se instalen antes de la instalación del refrigerador.
- Los tableros deberán ser lo suficientemente largos para poder cubrir totalmente el ancho de la cubierta del compresor.
- Ubique los tableros de manera que la superficie inferior de los tableros esté a 84" (213 cm) del piso.
- Durante la instalación, levante el refrigerador hasta que la parte superior del mismo haga contacto con la parte inferior de los tableros antivuelco. No aplaste la cubierta del compresor al levantar las patas niveladoras traseras.

**NOTA:** La empaquetadura de espuma, sobre la cubierta del compresor, se comprimirá para encajar debajo del/de los tablero(s) anti-vuelco. No es necesario cortar la empaquetadura.

### Cómo instalar los tableros antivuelco

1. Señale las ubicaciones para los montantes en la pared trasera.
2. Afiance con seguridad dos tableros de 2" x 4" x 32" (5 cm x 10 cm x 81 cm) a los montantes de pared detrás del refrigerador. Use 6 tornillos para madera #8 x 3" (7,6 cm) (o más largos). Los tornillos para madera deberán atornillarse un mínimo de 1½" (3,8 cm) en los montantes. Los tableros deben quedar superpuestos encima de la cubierta del compresor.



A. Dos tableros de 2" x 4" x 32" (5 cm x 10 cm x 81 cm)

B. Afiance a los montantes con 6 tornillos #8 x 3" (7,6 cm)

C. Cubierta del compresor

D. Distancia desde la parte inferior de los tableros anti-vuelco hasta el piso

## Conexión del suministro de agua

Lea todas las instrucciones antes de comenzar.

**IMPORTANTE:** Si enciende el refrigerador antes de conectar la tubería de agua, APAGUE la fábrica de hielo.

### Conexión a la línea de agua

#### Piezas necesarias

- Línea flexible de suministro de agua, con un mínimo de 7 pies (2,13 m), aprobada por los códigos

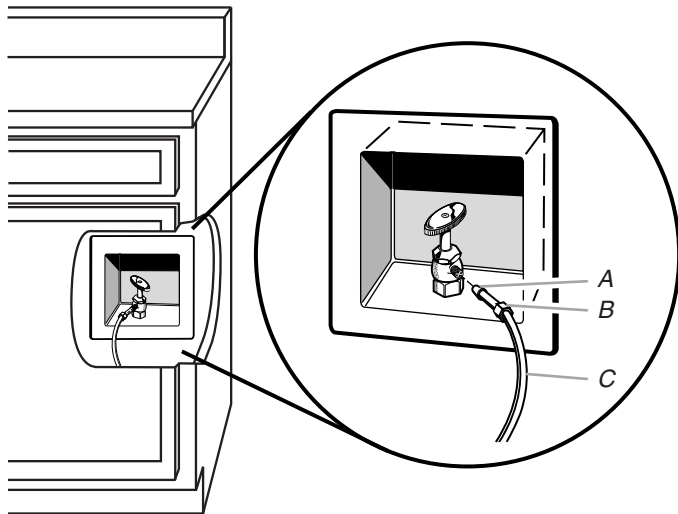
#### Estilo 1—Conexión de la válvula de cierre

**NOTA:** Si la conexión de la tubería de agua de su casa no se parece al Estilo 1, vea “Estilo 2—Conexión de la tubería de cobre”.

1. Desenchufe el refrigerador o desconecte el suministro de energía.

#### IMPORTANTE:

- No habrá espacio suficiente para lograr una instalación alineada si la válvula de cierre de agua está ubicada en la pared que está detrás del refrigerador. El cierre del agua deberá estar localizado en el gabinete base, a cualquier lado del refrigerador.
  - Antes de fijar la tubería a la válvula de cierre, enjuague la línea principal de suministro de agua para quitar las partículas y el aire de la tubería de agua. Deje correr bastante agua para que ésta se vea cristalina. El enjuagar la línea de agua puede ayudar a evitar que los filtros y/o las válvulas de agua se obstruyan.
2. Conecte la línea flexible de suministro de agua aprobada por los códigos a la válvula de cierre de agua enroscando la tuerca provista sobre la válvula de cierre, como se muestra.



A. Bulbo  
B. Tuerca

C. Tubería de agua

3. Coloque el extremo de la tubería en un balde y ABRA la válvula de cierre.
4. Revise si hay fugas. Apriete aquellas tuercas o conexiones que tengan fugas (incluidas las conexiones en la válvula).

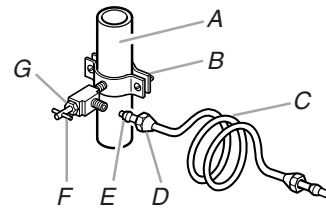
#### Estilo 2—Conexión de la tubería de cobre

**NOTA:** Si existe una línea de suministro de agua que cumpla con las especificaciones en “Requisitos del suministro de agua”, proceda con “Conexión al refrigerador”. Si no es así, siga las instrucciones a continuación para conectarla al suministro de agua fría de la casa.

1. Desenchufe el refrigerador o desconecte el suministro de energía.
2. CIERRE el suministro principal de agua. ABRA la llave de agua más cercana el tiempo suficiente para que la tubería de agua se vacíe.
3. Busque una tubería vertical de agua fría de ½" a 1¼" (1,25 cm a 3,18 cm) cercana al refrigerador.

#### IMPORTANTE:

- Asegúrese de que sea una tubería de agua fría.
  - Una tubería horizontal funcionará, pero taladre por el lado de arriba de la tubería, no por debajo. Esto ayudará a mantener el agua alejada del taladro y también evitará que se acumule sedimento normal en la válvula.
4. Determine la longitud de la tubería de cobre que necesita. Mida desde la conexión del refrigerador hasta la tubería de agua. Agregue 7 pies (2,1 m) para la limpieza. Use tubería de cobre de ¼" (6,35 mm) de diámetro externo. Asegúrese que ambos extremos de la tubería de cobre están cortados rectos.
  5. Usando un taladro inalámbrico, perforo un orificio de ¼" (6,35 mm) en la tubería de agua fría que usted ha seleccionado.



A. Tubería de agua fría  
B. Abrazadera para tubería  
C. Tubería de cobre  
D. Tuerca de compresión  
E. Manga de compresión  
F. Válvula de cierre  
G. Tuerca de presión

6. Afiance la válvula de cierre a la tubería de agua fría con la abrazadera para tubería. Asegúrese que el extremo de salida esté firmemente insertado en el orificio taladrado de ¼" (6,35 mm) en la tubería de agua y que la arandela esté por debajo de la abrazadera para tubería. Apriete la tuerca de presión. Apriete los tornillos de la abrazadera para tubería lentamente y en forma pareja de manera que la arandela provea un cierre hermético. No apriete demasiado.

**IMPORTANTE:** Antes de fijar la tubería a la válvula de cierre, enjuague la línea principal de suministro de agua para quitar las partículas y el aire de la tubería de agua. Deje correr bastante agua para que ésta se vea cristalina. El enjuagar la tubería de agua puede ayudar a evitar que los filtros y/o las válvulas de agua se obstruyan.

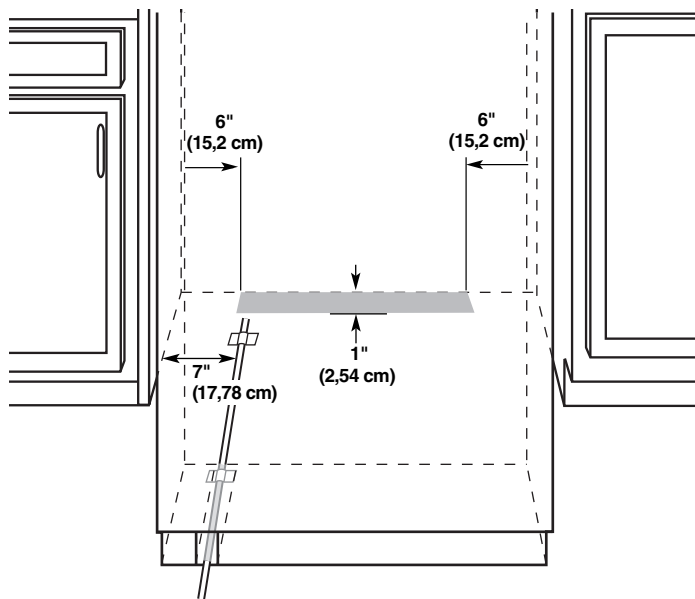
7. Deslice la manga de compresión y la tuerca de compresión sobre la tubería de cobre como se muestra. Inserte el extremo de la tubería en el extremo de salida en ángulo recto hasta donde sea posible. Atornille la tuerca de compresión en el extremo de salida usando la llave ajustable. No apriete demasiado la abrazadera o la manga. Se quebrará la tubería de cobre.
8. Cierre la válvula de cierre del tubo de agua. Enrolle la tubería de cobre.

9. Conecte la línea flexible de suministro de agua aprobada por los códigos a la válvula de cierre de agua enroscando la tuerca provista sobre la válvula de cierre.
10. Coloque el extremo de la tubería en un balde y ABRA la válvula de cierre.
11. Busque fugas alrededor de la válvula tipo montura. Apriete aquellas tuercas o conexiones que tengan fugas (incluidas las conexiones en la válvula).

## Conexión al refrigerador

### Piezas suministradas

- Acoplamiento macho a macho, de ¼" a ¼" (6,35 mm a 6,35 mm)

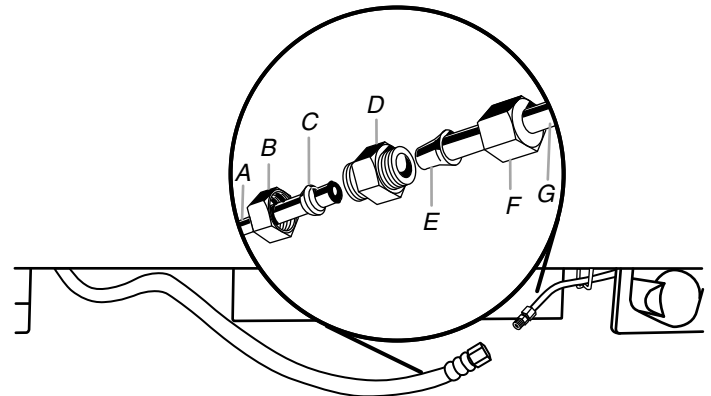


**NOTA:** La línea flexible de suministro de agua aprobada según los códigos debe conectarse a la válvula de suministro a través del piso.

1. Desenchufe el refrigerador o desconecte el suministro de energía.
2. Conecte el tubo flexible de agua de 7 pies (2,13 m), aprobado según los códigos, a la válvula de suministro de agua.
3. Enjuague la línea principal de suministro de agua para quitar las partículas y el aire de la misma. Deje correr bastante agua para que ésta se vea cristalina.
4. Pegue con cinta al piso la línea flexible de suministro de agua de 7 pies (2,13 m) aprobada según los códigos, a 7" (17,78 cm) del lado izquierdo del refrigerador. Pegue con cinta a lo largo de la longitud de la tubería, lo que permitirá que ésta pase por debajo del refrigerador, sin hacer interferencia.

**NOTA:** Deje un mínimo de 26" (66,04 cm) de línea flexible de suministro de agua aprobada según los códigos para que quede floja en la parte frontal del refrigerador, para conectarla al mismo.

5. Conecte la línea flexible de suministro de agua de 7 pies (2,13 m), aprobada según los códigos, al refrigerador.  
**NOTA:** Si la válvula principal de cierre de agua está detrás del refrigerador, puede instalarse una válvula secundaria de cierre de agua alineada con la línea de suministro de agua, al frente del producto.



- |                             |                                     |
|-----------------------------|-------------------------------------|
| A. Línea de agua de la casa | E. Bulbo                            |
| B. Tuerca (adquirida)       | F. Tuerca                           |
| C. Férula (adquirida)       | G. Tubería de agua del refrigerador |
| D. Acoplamiento             |                                     |

6. Abra la válvula de suministro de agua y verifique todas las conexiones para ver si hay fugas.

## Cómo enchufar el refrigerador

### ⚠ ADVERTENCIA



#### Peligro de Choque Eléctrico

**Conecte a un contacto de pared de conexión a tierra de 3 terminales.**

**No quite la terminal de conexión a tierra.**

**No use un adaptador.**

**No use un cable eléctrico de extensión.**

**No seguir estas instrucciones puede ocasionar la muerte, incendio o choque eléctrico.**

1. Coloque el interruptor de control en la parte superior del armario en la posición OFF (Apagado).
2. Conecte a un contacto de pared de conexión a tierra de 3 terminales.



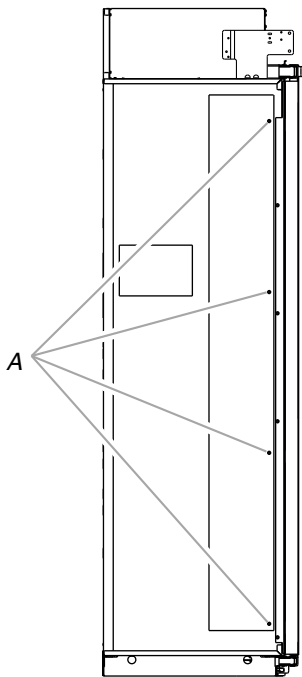
## Instalación de las molduras laterales

Las molduras laterales cubren el espacio entre el refrigerador y los armarios adyacentes. Hay una pieza de la moldura adherida con cinta a cada lado del refrigerador. Instale cada pieza de la moldura al lado del refrigerador al cual está adherida.

1. Quite la cinta adhesiva que sujeta las molduras a los del refrigerador. Deje las piezas de la moldura a un lado.

**IMPORTANTE:** Solo instalaciones con panel de madera a la medida (con un espacio de  $\frac{1}{8}$ " ) - El borde con forma de bulbo de la pieza de la moldura lateral va a interferir con los paneles. Retire el borde largo con forma de bulbo de la pieza de la moldura y descártelo. Vea la ilustración "Vista superior" más adelante en esta sección.

2. Quite los cuatro tornillos del lado de la carcasa del refrigerador.

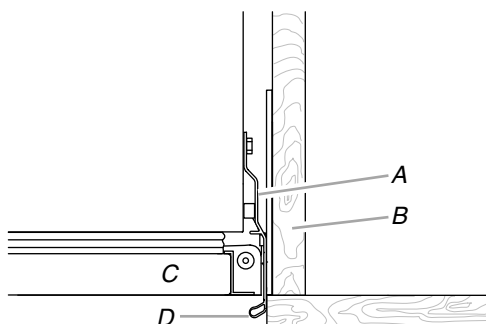


A. Tornillos de la moldura lateral

3. Usando los orificios originales y los tornillos que se quitaron en el paso 2, sujete la moldura lateral a la carcasa del refrigerador.

**NOTA:** Cerciórese de asegurar cada pieza de la moldura al lado de la carcasa del refrigerador del cual se haya quitado. El borde con forma de bulbo deberá estar adelante con la muesca en la parte superior, como se muestra.

### Vista superior



A. Moldura lateral  
B. Armario adyacente  
C. Puerta  
D. Borde en forma de bulbo

## Cómo mover el refrigerador a su ubicación final

### ⚠ ADVERTENCIA



#### Peligro de Vuelco

El refrigerador puede volcarse cuando está siendo instalado debido a que la parte superior es pesada.

Mantenga las puertas cerradas con cinta hasta que el refrigerador esté completamente instalado.

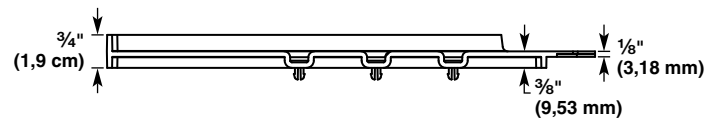
Use dos o más personas para mover e instalar el refrigerador.

No seguir estas instrucciones puede ocasionar la muerte o herida seria.

#### IMPORTANTE:

- No es posible hacer una instalación alineada con una abertura de una profundidad de 24" (60,9 cm).
- Antes de mover el refrigerador y para evitar daños al piso, asegúrese que las patas niveladoras están levantadas (no están tocando el piso) y que el refrigerador se encuentra sobre los rodillos.
- Use el bloque de instalación, que está sujeto a la bisagra de la puerta, como referencia para asegurarse de que el refrigerador se empuje hacia atrás lo suficiente dentro de la abertura, de modo que cuando estén instalados los paneles, estarán alineados con los armarios adyacentes.
- Después de que el refrigerador esté nivelado y alineado, retire el bloque de instalación de la bisagra de la puerta y úselo para revisar el espacio entre los paneles y los armarios adyacentes.

**NOTA:** El bloque de instalación ha sido diseñado para proveer un espacio adecuado para  $\frac{3}{4}$ " (1,9 cm),  $\frac{3}{8}$ " (9,53 mm) y  $\frac{1}{8}$ " (3,18 mm).



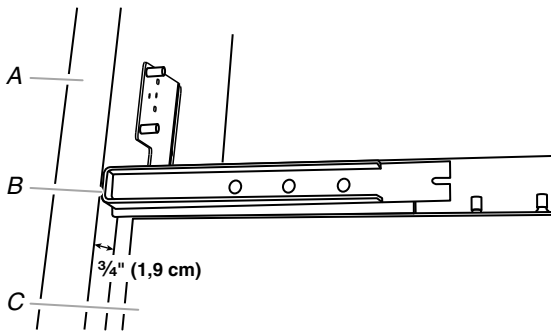
1. Coloque la parte superior del empaque de cartón o madera contrachapada debajo del refrigerador. Quite la plataforma rodante.
2. Empuje el refrigerador directamente hacia atrás y en forma pareja hacia el interior de la abertura. Asegúrese de que la tubería de agua no esté torcida y que el cable de suministro de energía esté encima del refrigerador.

**NOTA:** Si el cable de suministro de energía está detrás del refrigerador, no se instalará como es debido.



3. Cerciórese de que el bloque de instalación esté alineado con los armarios adyacentes.

**NOTA:** Para lograr una instalación alineada, será fundamental verificar que haya una profundidad de  $\frac{3}{4}$ " (1,9 cm) entre la cara frontal de los armarios adyacentes y el refrigerador.



A. Armario o pared adyacente  
B. Bloque de instalación  
C. Cara del refrigerador

## Nivelación y alineamiento del refrigerador

### ⚠ ADVERTENCIA



#### Peligro de Vuelco

El refrigerador puede volcarse cuando está siendo instalado debido a que la parte superior es pesada.

Mantenga las puertas cerradas con cinta hasta que el refrigerador esté completamente instalado.

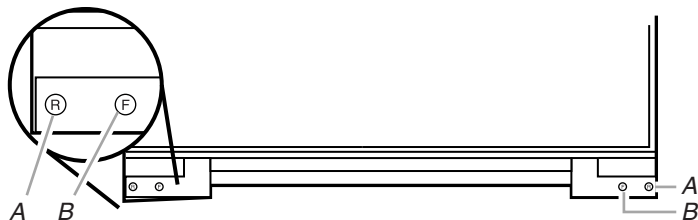
Use dos o más personas para mover e instalar el refrigerador.

No seguir estas instrucciones puede ocasionar la muerte o herida seria.

**IMPORTANTE:** Las cuatro patas niveladoras deberán hacer contacto con el piso para soportar y estabilizar el peso total del refrigerador. Los rodillos se usan para mover el refrigerador y no para un soporte permanente.

Después de mover el refrigerador a su ubicación final:

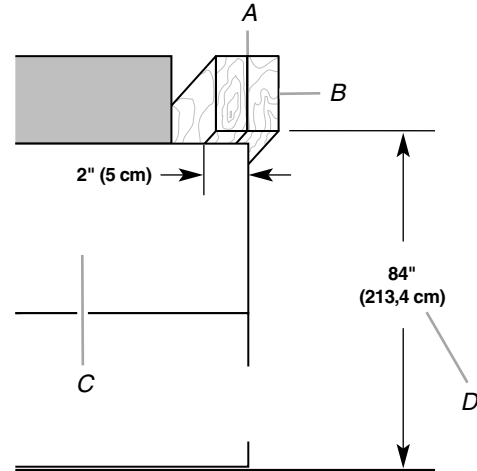
1. Use una llave de cubo de  $\frac{5}{16}$ " para girar los pernos niveladores hacia la derecha y extender las patas hasta el piso, como se muestra. Los rodillos no deberán hacer contacto con el piso.



A. Perno nivelador trasero  
B. Perno nivelador frontal

2. Ajuste las patas niveladoras para nivelar y alinear el refrigerador de izquierda a derecha y de adelante hacia atrás de modo tal que el refrigerador esté nivelado y alineado con los armarios.
3. Continúe ajustando las patas niveladoras hasta que la parte superior del refrigerador haga contacto con la parte inferior del sofito sólido o la parte inferior de los tableros antivuelco, en caso de que se hayan utilizado. No aplaste la tapa del compresor.

**IMPORTANTE:** Ajuste en pequeños incrementos para evitar dañar la cubierta del armario y causar problemas con el alineamiento de la puerta o el ajuste de la rejilla superior. Para evitar daños al armario o las patas niveladoras, no aplique más de 50 pulg/lbs. (5,65 Nm) de torque a los pernos niveladores. Las patas niveladoras pueden extenderse hasta un máximo de  $1\frac{1}{4}$ " (3,18 cm) por debajo de los rodillos.



A. Dos tableros de 2" x 4" x 32" (5 cm x 10 cm x 81 cm)  
B. Ajuste a los montantes con seis tornillos #8 x 3" (7,6 cm)  
C. Cubierta del compresor  
D. Distancia desde la parte inferior de los tableros antivuelco hasta el piso

4. Después de nivelar el refrigerador, use una regla o un nivel de 4 pies desde la parte frontal de la instalación del refrigerador hasta los armarios, para verificar que el refrigerador todavía esté alineado.

## Instalación del refrigerador y los paneles

**IMPORTANTE:** Jenn-Air no es responsable de la remoción o adición de molduras o paneles de madera recubiertos que pudieran impedir el acceso al refrigerador para darle servicio.

### Instalación de la cubierta de la rejilla superior (solamente para instalación estándar)

**IMPORTANTE:** La altura del panel de la rejilla permite el flujo de aire necesario para que el refrigerador funcione. La cubierta de la rejilla superior oculta la cubierta del compartimiento superior detrás de la rejilla superior. Si usted decide modificar las medidas recomendadas para el panel de la rejilla, comprometerá su funcionamiento.

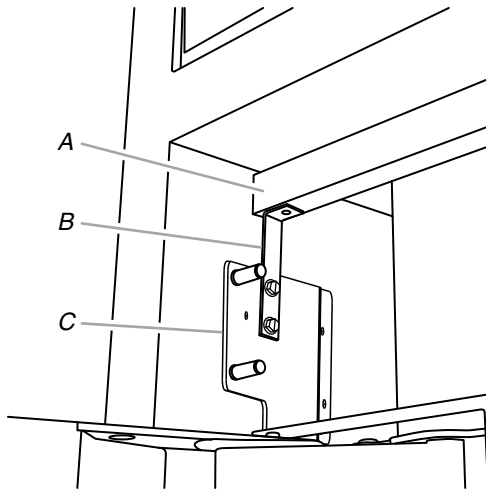
#### Modelos con panel de madera a la medida

1. En la pieza de madera a la medida para cubrir (de 1" x ancho del panel de la rejilla), taladre un orificio a  $\frac{1}{16}$ " de cada borde.

**NOTA:** Cerciórese de que el orificio esté centrado en un espesor de 1" de la pieza de madera.

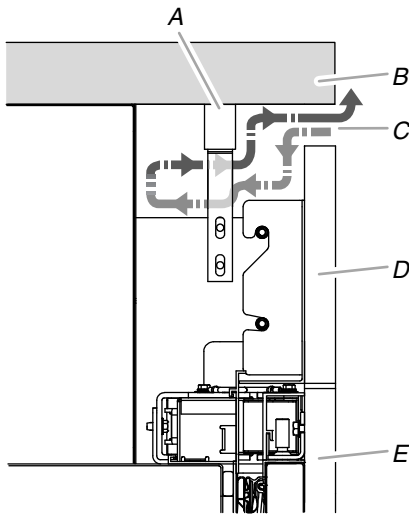
2. Usando los tornillos de cabeza ranurada hexagonal (provistos con el refrigerador), fije un soporte en "L" a cada extremo de la pieza de madera para cubrir.

- Usando los tornillos de cabeza hexagonal romos (provistos con el refrigerador), sujete los soportes en "L" a las placas de montaje de la rejilla superior.
- Ajuste los soportes en "L" de modo que la pieza de madera para cubrir esté alineada con la parte inferior del soffito. Apriete por completo los tornillos.



A. Relleno de la rejilla superior  
B. Soporte en "L"  
C. Placa de montaje de la rejilla

#### Vista lateral



A. Relleno de la rejilla superior  
B. Soffito  
C. Flujo de aire  
D. Panel de la rejilla  
E. Panel de la puerta

#### Modelos con juego de paneles de acero inoxidable

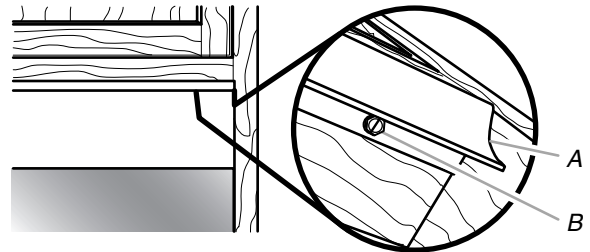
### ⚠ ADVERTENCIA

#### Peligro de Peso Excesivo

Use dos o más personas para mover e instalar los paneles.

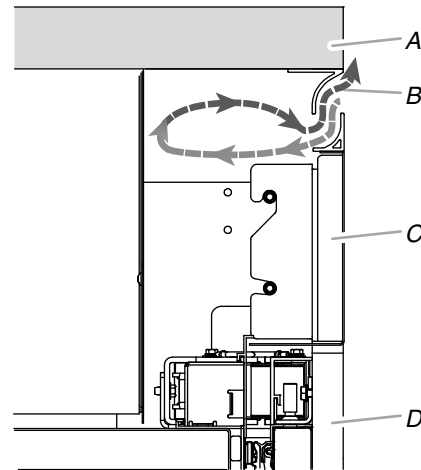
No seguir esta instrucción puede ocasionar una lesión en la espalda u otro tipo de lesiones.

- Alinee el ducto de escape de la rejilla superior (provisto con el juego de puerta) con el borde inferior del soffito. Úsela como plantilla y marque los lugares en donde taladrar los orificios.
- Usando los tornillos de cabeza ranurada hexagonal (provistos con el refrigerador), fije el ducto de escape de la rejilla superior al soffito.



A. Ducto de escape de la rejilla superior  
B. Tornillo de cabeza ranurada hexagonal

#### Vista lateral



A. Soffito  
B. Flujo de aire  
C. Panel de la rejilla  
D. Panel de la puerta

## Juegos de paneles de acero inoxidable Jenn-Air (únicamente)

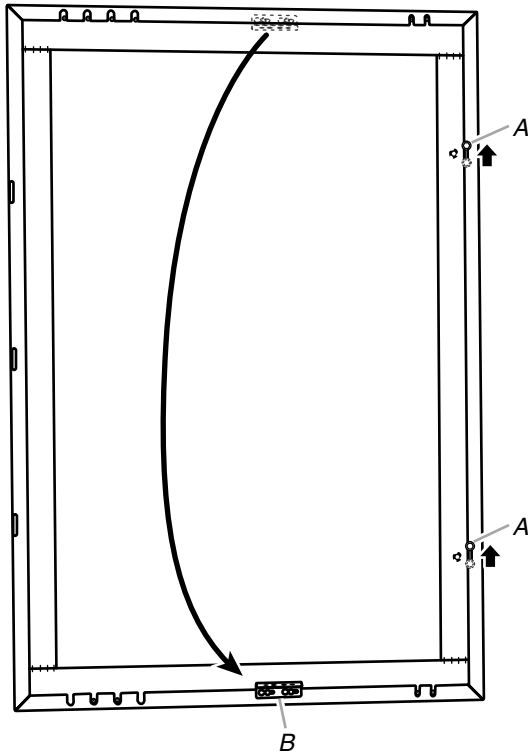
**IMPORTANTE:** Los paneles que se incluyen en los juegos de paneles vienen con el soporte de montaje preinstalado y están preparados para instalarse.

### Juego de paneles de puertas del modelo de una puerta de 36" (únicamente):

Estos paneles están diseñados para las puertas de refrigerador que tengan las bisagras instaladas del lado derecho. Si invierte el sentido de apertura de la puerta, deberá cambiar de lugar el soporte de montaje del panel de la puerta y las arandelas de tope.

#### Para modificar el panel de la puerta para que la misma se abra hacia la izquierda:

1. Retire el soporte de montaje de un extremo del panel de la puerta y reinstálelo en el extremo opuesto del panel en los orificios taladrados previamente.  
**NOTA:** El extremo con el soporte de montaje ahora es la parte superior del panel de la puerta.
2. Retire los tornillos puntiagudos de cabeza hexagonal y las arandelas de tope de los orificios marcados con una "R" roja.
3. Usando el bloque de instalación como guía para la profundidad, sujete las arandelas de tope con los tornillos puntiagudos de cabeza hexagonal en los orificios taladrados previamente marcados con una "L" azul.



- A. Traslade las arandelas de tope del orificio R al orificio L.  
B. Traslade el soporte de montaje.

4. Despegue la cubierta protectora en el panel de la puerta, en el área de los soportes y las arandelas de tope solamente. No retire por completo la cubierta protectora hasta que se haya terminado la instalación.

## Paneles de madera hechos a la medida - Paneles taladrados previamente

**IMPORTANTE:** La plantilla del panel a la medida enviada con el refrigerador puede usarse, ya sea para una instalación con mocheta de  $\frac{3}{8}$ " (0,95 cm) o de  $\frac{1}{8}$ " (0,32 cm).

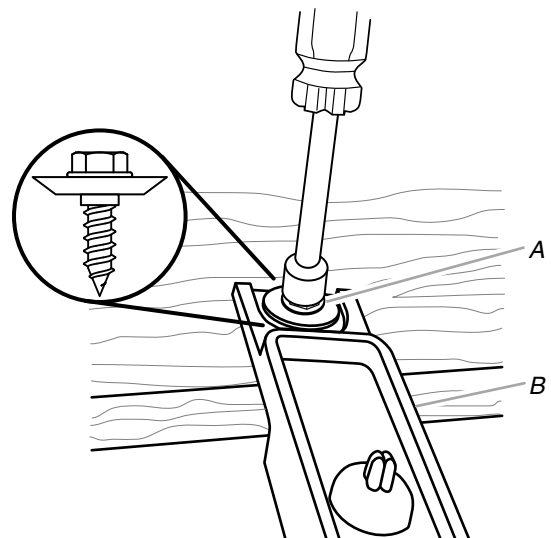
- Las plantillas de taladrado se usan solamente para los paneles de madera recubiertos a la medida.
  - Las plantillas de taladrado tienen dos lados.
  - Los orificios para taladrar se han cortado previamente en la plantilla.
1. Ubique el diagrama de su refrigerador en la plantilla. A continuación, siga las letras y las flechas de colores para colocar correctamente la plantilla de taladrado en la parte posterior de los paneles.  
**NOTA:** Fíjese en la dirección de las flechas para determinar qué orificios debe marcar cuando alinee la plantilla en la parte superior del panel y qué orificios debe marcar cuando alinee la plantilla en la base del panel.
  2. Taladre previamente orificios piloto en los rieles de madera que bordean la(s) puerta(s), el cajón y los paneles de la rejilla superior.

## Paneles de madera hechos a la medida - Preparación de los paneles

### Panel de la puerta

**IMPORTANTE:** Este paso se realiza por completo en los juegos de paneles de acero inoxidable Jenn-Air.

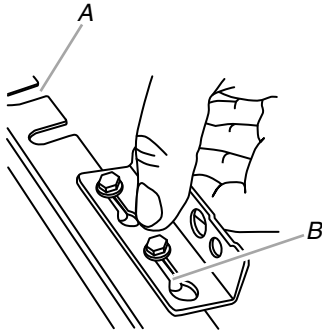
1. Coloque los paneles sobre una superficie firme, cubierta y plana, con la parte frontal mirando hacia abajo.
2. Ubique los dos orificios taladrados previamente en el borde del lado de la manija del panel de la puerta.
3. Usando el bloque de instalación como guía para la profundidad, sujete una arandela de tope con un tornillo puntiagudo de cabeza hexagonal (ambos provistos con el refrigerador) en el panel de la puerta taladrado previamente (dos por cada puerta).



- A. Arandela de tope y tornillo puntiagudo de cabeza hexagonal  
B. Bloque de instalación

- Para el soporte de montaje, inserte los tornillos puntiagudos de cabeza hexagonal (provistos con el refrigerador) en los orificios en la madera en la parte superior de los paneles de la puerta, donde se taladraron previamente.

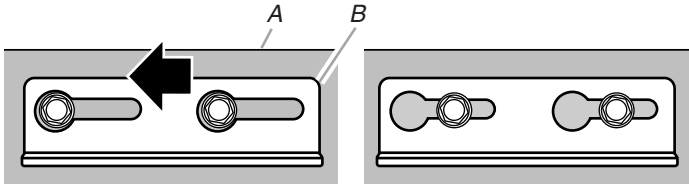
**NOTA:** Es fundamental usar el tornillo de  $\frac{5}{8}$ ", el más largo que se haya provisto, para fijar el soporte a la parte superior del panel de la puerta.



A. Orificio en forma de "U"  
B. Ranura

- Fije un soporte superior del panel al extremo superior del (de los) panel(es) de la puerta, colocando el extremo grande de la bocallave sobre los tornillos, y deslizando el soporte para que los tornillos queden centrados en las ranuras.

**NOTA:** Comience con los tornillos que están en el centro de las ranuras, como se muestra; luego mueva el panel de la puerta para alinearlos, si es necesario.

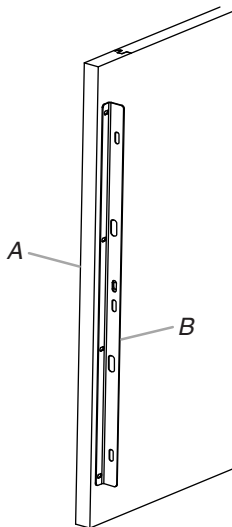


A. Panel de la puerta  
B. Soporte superior del panel

### Panel del cajón

**IMPORTANTE:** Este paso se realiza por completo en los juegos de paneles de acero inoxidable Jenn-Air.

- Usando los tornillos Phillips de cabeza plana (provistos con el refrigerador), sujete un soporte del panel del cajón a cada lado del panel del cajón, como se muestra.



A. Panel del cajón  
B. Soporte de montaje del panel del cajón

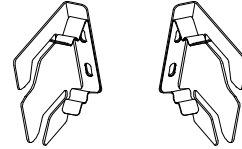
### Panel de la rejilla superior

**IMPORTANTE:** Este paso se realiza por completo en los juegos de paneles de acero inoxidable Jenn-Air.

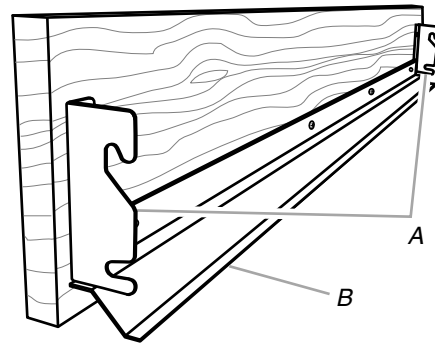
- Usando los tornillos de cabeza ranurada hexagonal (provistos con el refrigerador), fije un soporte de montaje a cada lado del panel de la rejilla superior.

**IMPORTANTE:** Vea la sección "Piezas provistas" para seleccionar los soportes designados para su instalación.

- Use los soportes de la rejilla completamente incorporada para una instalación de la rejilla completamente incorporada con una rejilla de altura completa.



- Use los soportes de la rejilla estándar para una instalación de la rejilla incorporada estándar, como se muestra.



A. Soportes de la rejilla superior  
B. Pieza de cubierta blanca de la rejilla (adherida con cinta a la puerta del refrigerador)

- Usando los tornillos de cabeza redonda (provistos con el refrigerador), sujete la pieza de la cubierta de la rejilla a la parte inferior del panel de la misma.

**NOTA:** La cubierta de la rejilla está instalada previamente en los juegos de paneles de acero inoxidable.

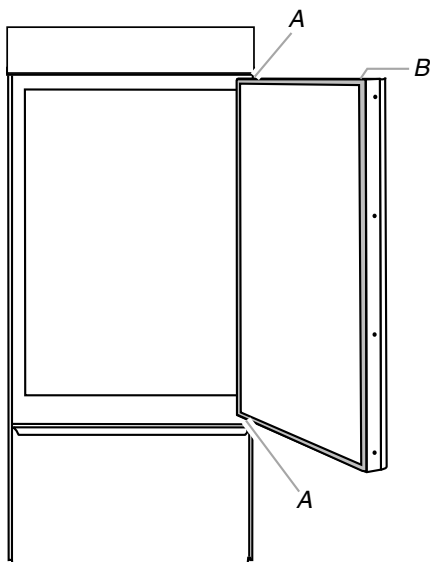
### Retire las piezas de la cubierta

- Retire toda la cinta y los refuerzos de las puertas del refrigerador y del congelador.
- Abra las puertas del refrigerador y del congelador.
- Retire las piezas de la cubierta de la bisagra de la parte superior e inferior de la puerta, para exponer los orificios en las bisagras.

#### NOTAS:

- No es necesario quitar las cubiertas laterales de la bisagra, ya que no van a interferir con la instalación.

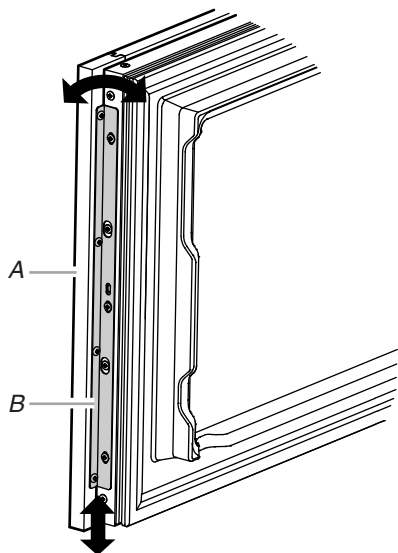
- Deje las cubiertas del cajón del congelador en su lugar para la instalación.



A. Piezas de la cubierta de la bisagra  
B. Cubierta del pasador de ajuste de la puerta

### Instalación del panel del cajón

1. Alinee las ranuras que están en los soportes del panel de la puerta, ubicadas a cada lado del panel del cajón, con los orificios en el cajón que atraviesan la cubierta del mismo.
2. Usando los tornillos Phillips de cabeza plana (providos con el refrigerador), fije los soportes al cajón.
3. Mueva el panel del cajón hacia arriba y hacia abajo o de lado a lado para alinearlos. No apriete los tornillos por completo.

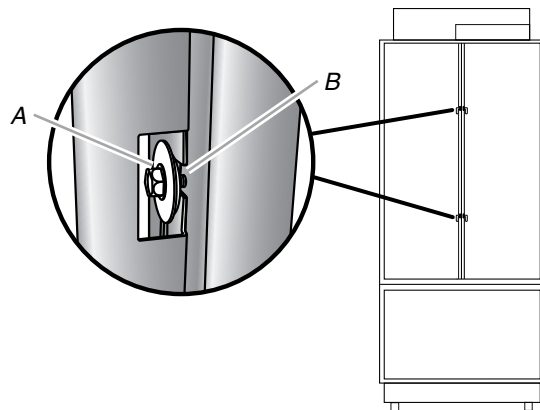


A. Panel recubierto del cajón  
B. Soporte del panel del cajón

### Cómo instalar los paneles de la puerta

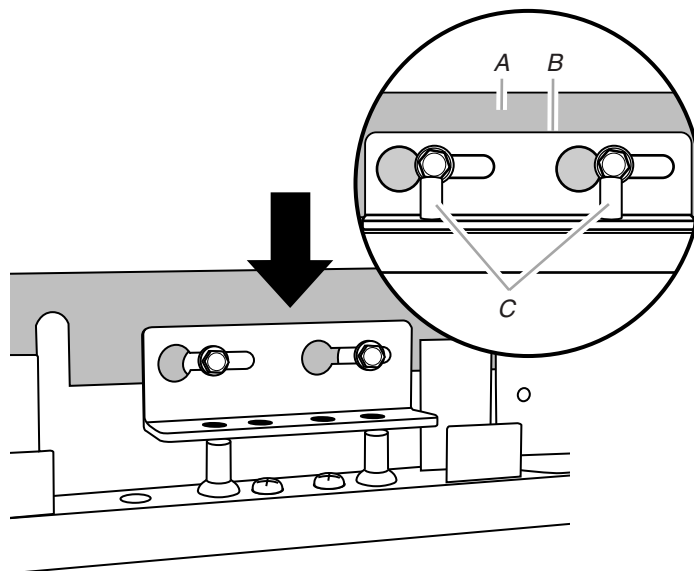
**IMPORTANTE:** Use el empaque de espuma para apoyar la(s) puerta(s) y mantenerla(s) abierta(s) mientras instala un panel de la puerta.

1. Alinee las dos arandelas de tope, ubicadas en el lado posterior del panel de la puerta, con las ranuras en "J" que están en el costado de la puerta. Deslice el panel en la puerta.



A. Arandela de tope y tornillo puntiagudo de cabeza hexagonal  
B. Ranura en "J"

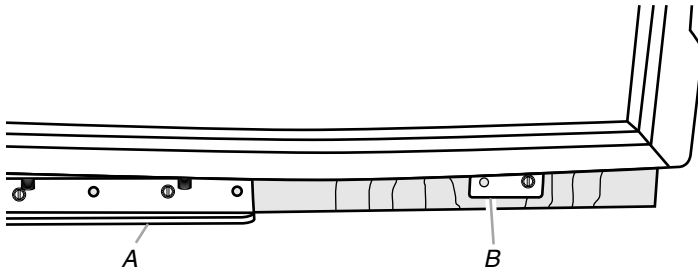
2. Baje el soporte del panel sobre los pasadores de ajuste en la parte superior de la puerta.



A. Panel de la puerta  
B. Soporte superior del panel  
C. Pasadores de ajuste

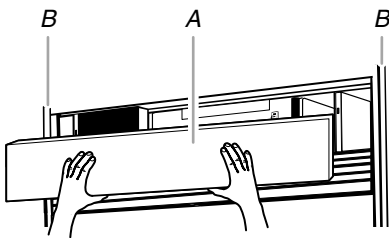
3. Para los modelos de dos puertas con congelador en la parte inferior, repita los pasos 1 a 2 para instalar el panel de la segunda puerta.

- Usando los tornillos de cabeza ranurada hexagonal (provistos con el refrigerador), fije el soporte de montaje (instalado de fábrica), ubicado en la parte inferior de las puertas del refrigerador y del congelador, a sus paneles de puerta respectivos. No apriete el tornillo por completo.



A. Bisagra inferior  
B. Soporte de montaje

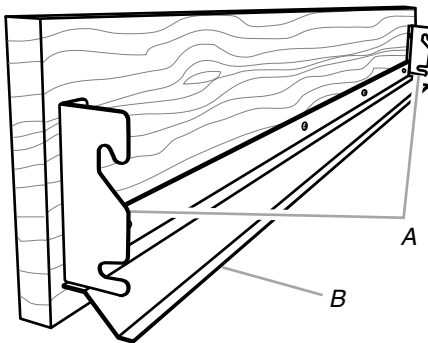
### Instalación del panel para la rejilla superior



A. Panel de la rejilla superior  
B. Lados del armario

### Instalación de la rejilla estándar incorporada

- Enganche los soportes del panel sobre los pernos de montaje que se extienden desde la parte superior del refrigerador.

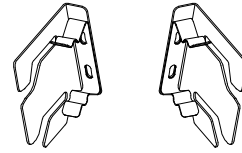


A. Soportes del panel  
B. Pieza de cubierta de la rejilla

- Jale el panel de la rejilla levemente hacia abajo para asegurarlo en su lugar.

### Instalación de la rejilla completamente incorporada – Rejilla de altura completa

- Alinee el soporte a cada lado del panel de la rejilla superior con los pernos de montaje.

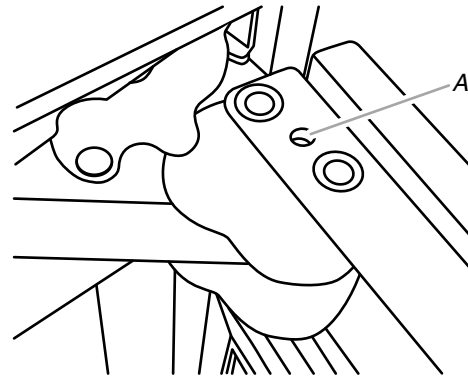


- Empuje hacia delante el panel de la rejilla hasta que el soporte encaje a presión en su lugar.

### Cómo ajustar la oscilación de las puertas

Tal vez sea necesario ajustar la oscilación de la(s) puerta(s). Verifique que la(s) puerta(s) del refrigerador se pueda(n) abrir con toda libertad. Si la(s) puerta(s) se abre(n) demasiado, instale el pasador para el tope de la puerta (provisto con el refrigerador).

- Mantenga la puerta abierta en un ángulo menor de 90°.
- Inserte el pasador para el tope de la puerta en la bisagra superior, en el orificio que se muestra.
- Usando una llave hexagonal en L de  $\frac{5}{32}$ " , apriete el pasador del tope de la puerta.



A. Orificio del pasador del tope de la puerta

## Complete la instalación del panel

- Use el bloque de instalación para medir los espacios entre los paneles y los armarios adyacentes.

- Los paneles de madera recubiertos a la medida pueden ser fabricados con un espacio de  $\frac{3}{8}$ " (0,95 cm) o  $\frac{1}{8}$ " (0,32 cm) entre el panel y los armarios, y un espacio de  $\frac{1}{8}$ " (0,32 cm) entre la(s) puerta(s) del refrigerador y del congelador, y entre la(s) puerta(s) y la rejilla superior.
- Todos los juegos de paneles de acero inoxidable que se compran requieren un espacio de  $\frac{3}{8}$ " (0,95 cm) entre el panel y los armarios, y un espacio de  $\frac{1}{8}$ " (0,32 cm) entre la(s) puerta(s) del refrigerador y del congelador, y entre la(s) puerta(s) y la rejilla superior.

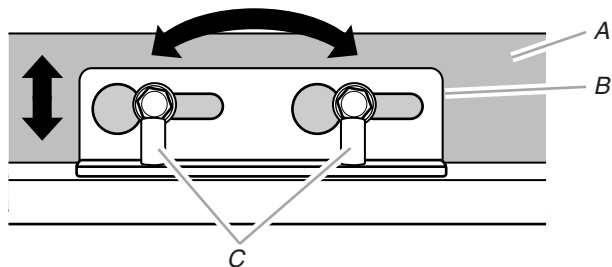


A. Armario adyacente  
B. Bloque de instalación  
C. Panel sobre la puerta

- Ajuste el panel para lograr el espacio requerido, o para alinearlo.

**IMPORTANTE:** Si se necesita algún ajuste, ajuste el panel y no la puerta. Ajústelo de izquierda a derecha en el soporte de montaje, antes de usar los pasadores para ajustar el panel hacia arriba y hacia abajo o en ángulo.

- Deslice el panel de un lado a otro en la bocallave.
- Use una llave hexagonal en L de  $\frac{5}{32}$ " para levantar o bajar los pasadores de ajuste, lo que permite que gire el panel de la puerta.

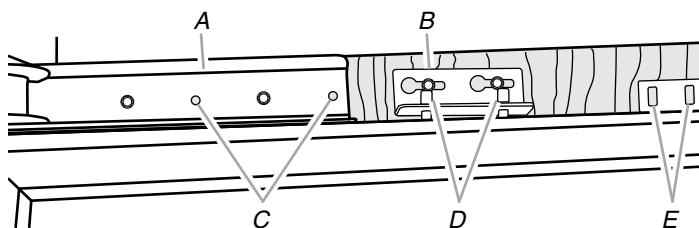


A. Panel de la puerta  
B. Soporte superior del panel  
C. Pasadores de ajuste

- Taladre previamente orificios piloto, con una broca de  $\frac{3}{32}$ ", en el (los) panel(es) de la puerta a través de los orificios abiertos de las bisagras de la parte inferior y superior.

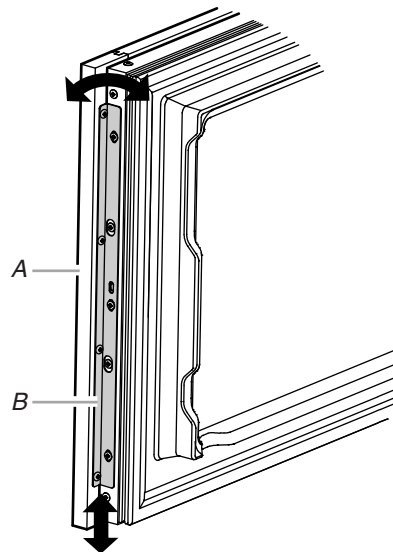
- Usando los tornillos de cabeza ranurada hexagonal (provistos con el refrigerador), fije las bisagras superior e inferior a los paneles de la puerta. Apriete por completo todos los tornillos del panel de la puerta.

**NOTA:** Para los modelos de una puerta de 36", hay un soporte adicional en la parte superior para ajustar el panel a la puerta. Inserte los tornillos a través del soporte y dentro del panel de la puerta.



A. Bisagra superior  
B. Soporte superior del panel  
C. Orificios para los tornillos  
D. Pasadores de ajuste de la puerta  
E. Orificios para los tornillos (solo para modelos de 36")

- Usando los tornillos de cabeza ranurada hexagonal (provistos con el refrigerador) para cada lado, fije los paneles de la puerta a las cubiertas de la puerta del lado de la bisagra.
- Usando los tornillos Phillips de cabeza plana (provistos con el refrigerador), instale la cubierta de la puerta del lado de la manija.
- Apriete los tornillos por completo fijando los soportes de montaje, ubicados en la base de las puertas, a los paneles.
- Vuelva a instalar la cubierta superior de la puerta y la cubierta de la bisagra.
- Encaje a presión la cubierta del pasador de ajuste de la puerta (provista con el refrigerador) en su lugar.
- Si es necesario, ajuste el panel del cajón para alinear y apretar por completo todos los tornillos del panel del cajón.



A. Panel recubierto del cajón  
B. Soporte del panel del cajón

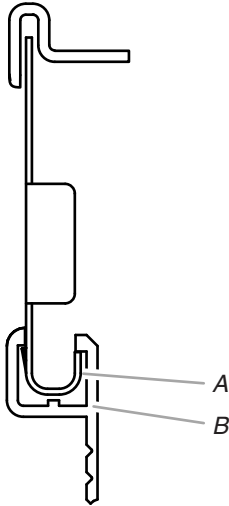
## Instalación de la rejilla de la base

La rejilla de base está formada por dos piezas para permitir un encaje a la medida: la rejilla de la base misma y el faldón. Se puede agregar el faldón a la rejilla de la base para extenderla hasta el piso.

1. Para ver si se necesita el faldón, coloque la rejilla de la base en su posición. No fije la rejilla de la base al refrigerador. Mida la distancia entre la parte inferior de la rejilla de la base y el piso. El espacio debe ser de  $\frac{1}{2}$ " (1,27 cm) como mínimo para agregar el faldón.

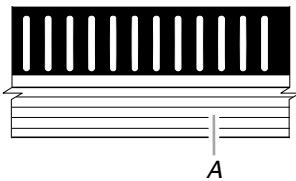
**NOTA:** Si el espacio mide menos de  $\frac{1}{2}$ " (1,27 cm), saltee los pasos 3 y 4 de las instrucciones e instale solamente la rejilla de la base.

2. Saque la película protectora de la rejilla de la base.
3. Encaje a presión el faldón sobre la rejilla de la base.



A. Rejilla de la base  
B. Faldón

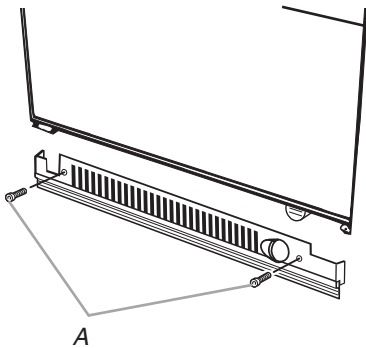
4. Recorte el faldón trazando la muesca en forma de "V" apropiada con un cuchillo para uso general. Parta el faldón en la línea trazada.



A. Muesca en "V"

5. Usando los dos tornillos, fije el ensamblaje de la rejilla de la base al refrigerador, como se muestra.

**NOTA:** Atornille primero el tornillo del lado derecho.



A. Tornillos (2)

## Complete la instalación

1. Gire la válvula de la tubería de suministro de agua a la posición "Abierta".
2. Gire el interruptor del refrigerador a la posición de ON (Encendido). Vea "Interruptor de On/Off (encendido/apagado)", en el Manual de uso y cuidado, para las instrucciones. Espere unos minutos. Busque fugas en las conexiones de la tubería de agua.
3. Quite todas las cajas, paquetes de piezas y materiales de empaque del interior del refrigerador. Vea la sección "Limpieza" en el Manual de uso y cuidado, para las instrucciones. Quite la película y el cartón protector de la rejilla y de las puertas o marco de la puerta, según su modelo.
4. Instale los estantes y recipientes en los compartimientos del refrigerador y del congelador.
5. Los controles están prefijados de fábrica en la posición media. Verifique que el compresor esté funcionando correctamente y que todas las luces funcionen.
6. Enjuague el sistema de agua antes de utilizarlo. Vea "Preparación del sistema de agua".

Para obtener el uso más eficiente de su nuevo refrigerador empotrado, lea el Manual de uso y cuidado. Conserve a la mano las Instrucciones de instalación y el Manual de uso y cuidado del refrigerador empotrado para una consulta fácil.



# SÉCURITÉ DU RÉFRIGÉRATEUR

## **Votre sécurité et celle des autres est très importante.**

Nous donnons de nombreux messages de sécurité importants dans ce manuel et sur votre appareil ménager. Assurez-vous de toujours lire tous les messages de sécurité et de vous y conformer.



Voici le symbole d'alerte de sécurité.

Ce symbole d'alerte de sécurité vous signale les dangers potentiels de décès et de blessures graves à vous et à d'autres.

Tous les messages de sécurité suivront le symbole d'alerte de sécurité et le mot "DANGER" ou "AVERTISSEMENT". Ces mots signifient :

**⚠ DANGER**

**Risque possible de décès ou de blessure grave si vous ne suivez pas immédiatement les instructions.**

**⚠ AVERTISSEMENT**

**Risque possible de décès ou de blessure grave si vous ne suivez pas les instructions.**

Tous les messages de sécurité vous diront quel est le danger potentiel et vous disent comment réduire le risque de blessure et ce qui peut se produire en cas de non-respect des instructions.

## **⚠ AVERTISSEMENT**



### **Risque de basculement**

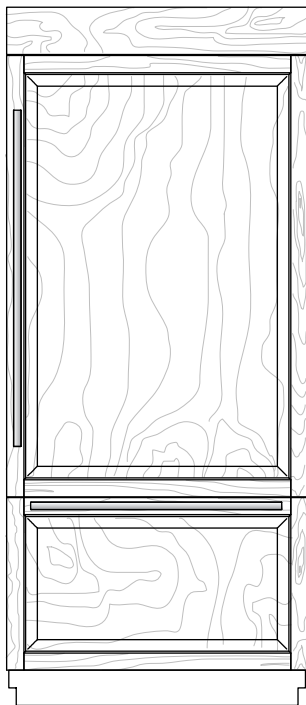
**Le réfrigérateur est lourd au sommet et bascule facilement lorsqu'il n'est pas complètement installé.**

**Garder les portes fermées avec un ruban adhésif jusqu'à l'installation complète du réfrigérateur.**

**Utiliser deux ou plus de personnes pour déplacer et installer le réfrigérateur.**

**Le non-respect de ces instructions peut causer un décès ou une blessure grave.**

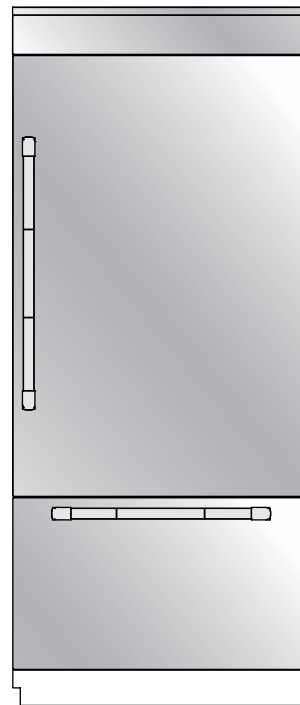
## MODÈLES AVEC PORTE À BATTANT SIMPLE DE 36"



### Panneaux personnalisés

Comporte du matériel et des panneaux personnalisés fournis par l'ébéniste pour une apparence harmonieuse conçue pour s'intégrer aux meubles de cuisine existants.

**Numéros de modèles de base :** JB36NXXFLE, JB36NXXFRE

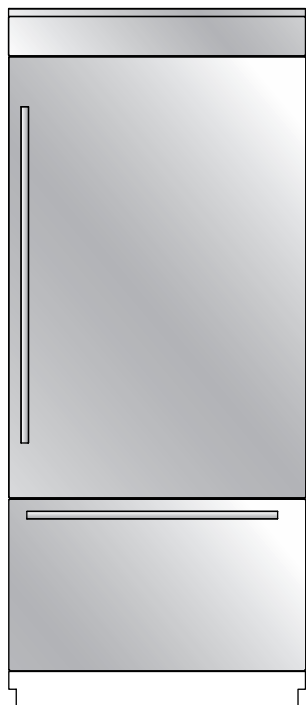


### Conception en acier inoxydable Pro-Style®

Portes avec habillage en acier inoxydable et poignées Pro-Style® avec surface de saisie à texture gravée (losanges).

**Numéros de modèles de base :** JB36NXXFLE, JB36NXXFRE

**Numéro de modèle d'ensemble :** JPK36BNXEPS



### Conception en acier inoxydable Euro-Style

Portes avec habillage en acier inoxydable et nouvelles poignées Euro-style conçues pour être assorties aux produits Euro kitchen suite de Jenn-Air® ou pour rehausser tout décor de cuisine.

**Numéros de modèles de base :** JB36NXXFLE, JB36NXXFRE

**Numéro de modèle d'ensemble :** JPK36BNXESS

## Accessoires

Toutes les pièces d'usine sont disponibles chez votre marchand Jenn-Air ou en appelant Jenn-Air au **1-800-JENNAIR (1-800-536-6247)**. Au Canada, composer le **1-800-807-6777**.

### Jeux de poignée de porte

Pour les panneaux décoratifs en bois personnalisés, il est possible de commander des jeux de poignées. Suivre les instructions de l'ensemble pour l'installation.

**IMPORTANT :** Ces jeux de poignée ne sont pas destinés aux ensembles de porte en acier inoxydable.

**Acier inoxydable Pro-Style® — Réfrigérateur avec congélateur en bas** W10250641

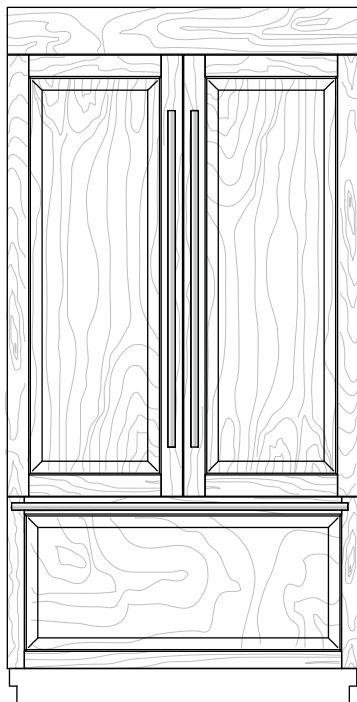
**Acier inoxydable Euro-Style — Réfrigérateur avec congélateur en bas** W10250638

### Ensemble de panneaux pour porte de style armoire

Suivre les instructions de l'ensemble pour l'installation de l'armoire, pour les dimensions des panneaux décoratifs en bois personnalisés et les détails concernant l'installation.

**Modèle de 36" (noir) —** W10663562

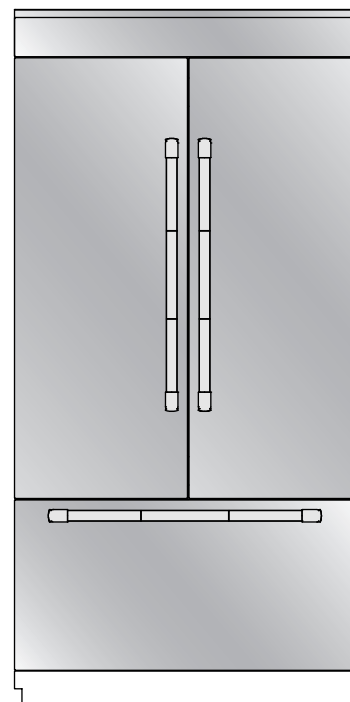
## MODÈLES AVEC PORTE À DOUBLE BATTANT DE 36"



### Panneaux personnalisés

Comporte du matériel et des panneaux personnalisés fournis par l'ébéniste pour une apparence harmonieuse conçue pour s'intégrer aux meubles de cuisine existants.

**Numéro de modèle de base :** JF36NFXDE

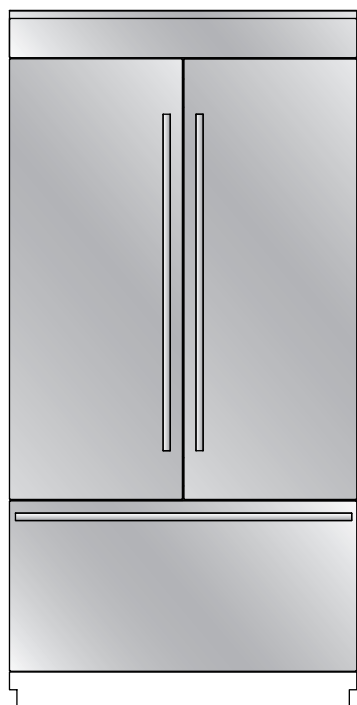


### Conception en acier inoxydable Pro-Style®

Portes avec habillage en acier inoxydable et poignées Pro-Style® avec surface de saisie à texture gravée (losanges).

**Numéro de modèle de base :** JF36NFXDE

**Numéro de modèle d'ensemble :** JPK36FNXEPS



### Conception en acier inoxydable Euro-Style

Portes avec habillage en acier inoxydable et nouvelles poignées Euro-Style conçues pour être assorties aux produits Euro kitchen suite de Jenn-Air® ou pour rehausser tout décor de cuisine.

**Numéro de modèle de base :** JF36NFXDE

**Numéro de modèle d'ensemble :** JPK36FNXESS

## Accessoires

Toutes les pièces d'usine sont disponibles chez votre marchand Jenn-Air ou en appelant Jenn-Air au **1-800-JENNAIR (1-800-536-6247)**. Au Canada, composer le **1-800-807-6777**.

### Ensembles de poignées de porte

Pour des panneaux de bois décoratifs personnalisés uniquement, il est possible de commander des ensembles de poignées. Suivre les instructions de l'ensemble pour l'installation.

**IMPORTANT :** Ces ensembles de poignées ne sont pas conçus pour être utilisés avec ensembles de panneaux de porte en acier inoxydable.

**Acier inoxydable Pro-Style®—Réfrigérateur avec congélateur en bas et porte à double battant—W10745429**

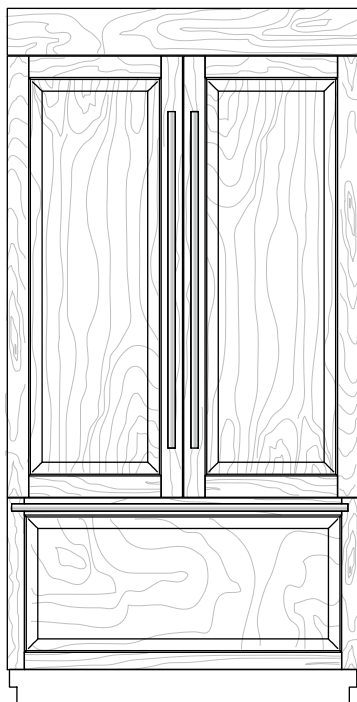
**Acier inoxydable Euro-Style—Réfrigérateur avec congélateur en bas et porte à double battant—W10745430**

### Ensemble de panneaux pour porte de style armoire

Suivre les instructions de l'ensemble pour l'installation de l'armoire, pour les dimensions des panneaux décoratifs en bois personnalisés et les détails concernant l'installation.

**Modèle de 36" (noir)—W10663562**

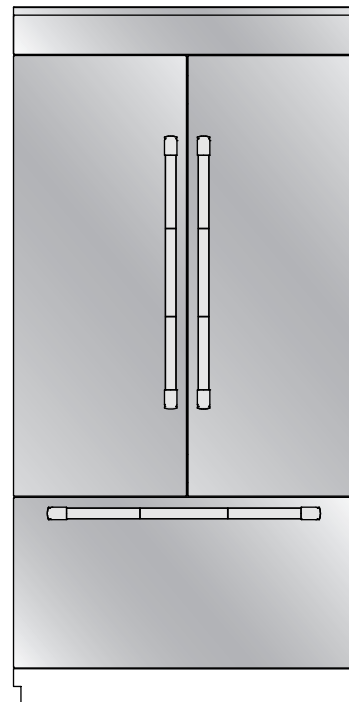
## MODÈLES AVEC PORTE À DOUBLE BATTANT DE 42"



### Panneaux personnalisés

Comporte du matériel et des panneaux personnalisés fournis par l'ébéniste pour une apparence harmonieuse conçue pour s'intégrer aux meubles de cuisine existants.

**Numéro de modèle de base :** JF42NXFXDE

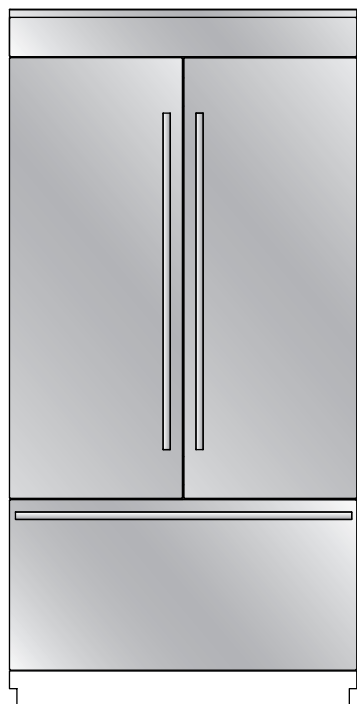


### Conception en acier inoxydable Pro-Style®

Portes avec habillage en acier inoxydable et poignées Pro-Style® avec surface de saisie à texture gravée (losanges).

**Numéro de modèle de base :** JF42NXFXDE

**Numéro de modèle d'ensemble :** JPK42FNXEPS



### Conception en acier inoxydable Euro-Style

Portes avec habillage en acier inoxydable et nouvelles poignées Euro-Style conçues pour être assorties aux produits Euro kitchen suite de Jenn-Air® ou pour rehausser tout décor de cuisine.

**Numéro de modèle de base :** JF42NXFXDE

**Numéro de modèle d'ensemble :** JPK42FNXESS

## Accessoires

Toutes les pièces d'usine sont disponibles chez votre marchand Jenn-Air ou en appelant Jenn-Air au **1-800-JENNAIR (1-800-536-6247)**. Au Canada, composer le **1-800-807-6777**.

### Ensembles de poignées de porte

Pour des panneaux de bois décoratifs personnalisés uniquement, il est possible de commander des ensembles de poignées. Suivre les instructions de l'ensemble pour l'installation.

**IMPORTANT :** Ces ensembles de poignées ne sont pas conçus pour être utilisés avec ensembles de panneaux de porte en acier inoxydable.

**Acier inoxydable Pro-Style® – Réfrigérateur avec congélateur en bas et porte à double battant – W10250642**

**Acier inoxydable Euro-Style – Réfrigérateur avec congélateur en bas et porte à double battant – W10250639**

### Ensemble de panneaux pour porte de style armoire

Suivre les instructions de l'ensemble pour l'installation de l'armoire, pour les dimensions des panneaux décoratifs en bois personnalisés et les détails concernant l'installation.

**Modèle de 42" (noir) – W10663564**

# EXIGENCES D'INSTALLATION

## Outillage et pièces

### IMPORTANT :

- Installateur : Remettre les instructions d'installation au propriétaire.
- Propriétaire : Conserver les instructions d'installation pour référence ultérieure. Conserver ces instructions d'installation pour consultation par l'inspecteur local des installations électriques.

### Outillage requis :

Rassembler les outils et pièces nécessaires avant de commencer l'installation. Lire et suivre les instructions fournies avec les outils indiqués ici.

- Perceuse sans fil
- Forets
- Clés à molette (2)
- Tournevis Phillips
- Petit niveau
- Clé à tête hexagonale de  $\frac{3}{32}$ " (ensembles de panneaux uniquement)
- Tourne-écrou de  $\frac{1}{32}$ "
- Clés plates de  $\frac{3}{8}$ " et  $\frac{1}{2}$ "
- Clé à tête hexagonale de  $\frac{5}{32}$ " et  $\frac{3}{16}$ "
- Clé à douille, avec douilles de  $\frac{1}{4}$ " et  $\frac{5}{16}$ "
- Mètre-ruban
- Couteau utilitaire
- Ruban de masquage (pour peinture)
- Chariot pour appareil ménager

### Pièces nécessaires :

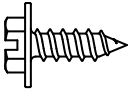



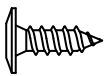

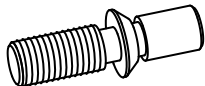
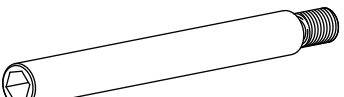
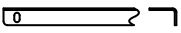
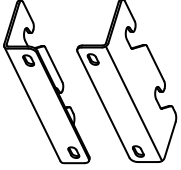
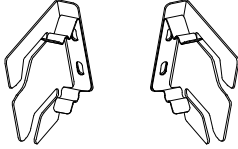

- Vis à bois n° 8 x 3" (7,6 cm) (il peut être nécessaire d'utiliser des vis plus longues) (6)
- Planches de bois de 2" x 4" x 32" (5 cm x 10 cm x 81 cm) (2)
- Panneaux de bois décoratifs personnalisés – consulter un ébéniste ou un menuisier qualifié pour la réalisation des panneaux de bois personnalisés. Voir "Panneaux de bois décoratifs personnalisés" pour plus d'informations.



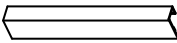
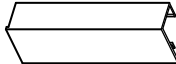
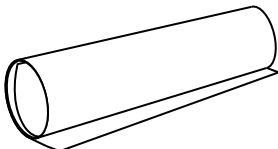
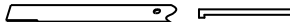

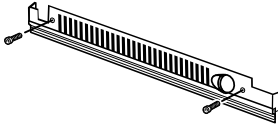
### OU

Ensembles de panneaux – Voir "Modèles de 36"" ou "Modèles avec porte à double battant de 42"" pour plus d'informations sur l'ensemble de panneaux.

- Tuyau d'alimentation en eau flexible approuvé par les codes en vigueur, une virole, un raccord et un raccord de compression de  $\frac{1}{4}$ " (6,35 mm).

### Pièces fournies :

 <p>Vis à tête hexagonale fendue</p> <p><b>W10141645</b> (21)</p>	 <p>Vis à tête hexagonale et bout pointu</p> <p><b>W10141189</b> (8)</p>	 <p>Vis à tête hexagonale et bout plat</p> <p><b>W10142233</b> (4)</p>	 <p>Rondelle à épaulement (utiliser avec une vis à tête hexagonale pointue)</p> <p><b>W10471946</b> (4)</p>
 <p>Vis à tête plate Phillips</p> <p><b>8281252</b> (28)</p>	 <p>Vis à tête ronde</p> <p><b>1163283</b> (24)</p>	 <p>Goupille d'ajustement de porte (pré-installée)</p> <p><b>W10234194</b> (2)</p>	 <p>Goupille d'arrêt de porte</p> <p><b>W10234202</b> (2)</p>
 <p>Support pour panneau de tiroir</p> <p><b>W10606815</b> (2)</p>	 <p>Support de grille intégrée standard</p> <p><b>W10182743</b> – Gauche (1) <b>W10182741</b> – Droit (1)</p>	 <p>Support de grille complètement intégrée</p> <p><b>W10260890</b> – Gauche (1) <b>W10260891</b> – Droit (1)</p>	 <p>Support de panneau de remplissage en "L"</p> <p><b>W10234199</b> (2)</p>

 <p>Support supérieur de panneau</p> <p><b>W10667450</b> (2)</p>	 <p>Garniture inférieure de la grille supérieure</p> <p><b>W10634858</b>—36" Congélateur en bas (1)  <b>W10606812</b>—42" Congélateur en bas, Côte à côte (1)</p>
 <p>Couvre-charnière du compartiment de réfrigération</p> <p><b>W10648975</b>—36" Congélateur en bas (droit)  <b>W10564251</b>—36" À double porte avec congélateur en bas (droit)  <b>W10606804</b>—42" À double porte avec congélateur en bas (droit)</p>	 <p>Couvre-charnière du compartiment de congélation</p> <p><b>W10611107</b>—36" Congélateur en bas (gauche)  <b>W10582015</b>—36" À double porte avec congélateur en bas (gauche)  <b>W10606808</b>—42" À double porte avec congélateur en bas (gauche)</p>
 <p>Gabarits de panneau</p> <p><b>W10222281</b>—Côte à côte  <b>W10488115</b>—36" Congélateur en bas  <b>W10704869</b>—36" À double porte avec congélateur en bas  <b>W10488118</b>—42" À double porte avec congélateur en bas  <b>W10489178</b>—Grille</p>	 <p>Garniture latérale de poignée de porte</p> <p><b>W10611106</b>—Congélateur en bas (gauche)  <b>W10648977</b>—Congélateur en bas (droit)  <b>W10606802</b>—À double porte avec congélateur en bas (droit)  <b>W10606806</b>—À double porte avec congélateur en bas (gauche)</p>
 <p>Bloc de montage</p> <p><b>W10234156</b></p>	 <p>Grille—Partie inférieure/Plinthe—Grille</p> <p><b>W10189198 / W10188549</b>—42" Congélateur en bas  <b>W10189196 / W10188547</b>—36" Congélateur en bas</p>

## Exigences d'emplacement

### **⚠ AVERTISSEMENT**



#### Risque d'explosion

**Garder les matériaux et les vapeurs inflammables, telle que l'essence, loin du réfrigérateur.**

**Le non-respect de cette instruction peut causer un décès, une explosion ou un incendie.**

#### IMPORTANT :

- Respecter les dispositions de tous les codes et règlements en vigueur.
- Il est conseillé de ne pas installer le réfrigérateur près d'un four, d'un radiateur ou de toute autre source de chaleur.
- Ne pas installer l'appareil en un endroit où la température pourrait descendre en dessous de 55°F (13°C).
- Le plancher doit pouvoir supporter le poids du réfrigérateur, soit plus de 600 lb (272 kg), en plus des panneaux de porte et du contenu du réfrigérateur. Le plancher sous le réfrigérateur doit être au même niveau que le plancher de la pièce. La surface du placard doit être d'aplomb.
- La hauteur libre sous plafond doit être suffisante pour permettre le basculement de chaque côté. Voir "Rayon de basculement".
- L'emplacement doit permettre l'ouverture complète de la porte. Voir "Dimensions pour le pivotement des portes".
- L'emplacement d'installation doit permettre la dépose de la grille supérieure. Voir "Dimensions d'ouverture d'encastrement".

#### Dimensions de l'ouverture d'encastrement

#### IMPORTANT :

- La largeur de l'ouverture d'encastrement d'un côté à l'autre doit être telle que spécifiée pour le modèle concerné (Largeur A), pour au moins 2" (5,08 cm) en retrait de l'avant du meuble.

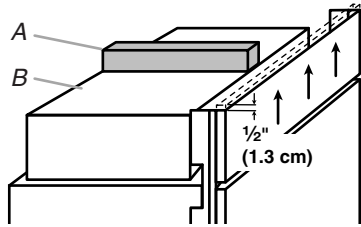
**REMARQUE :** Si l'ouverture d'encastrement ne respecte pas cette condition, des modifications devront être apportées.

- Un soffite ou placard mural robuste doit être installé à 84" (213,4 cm) au-dessus du plancher. Si le soffite en matériau robuste est d'une hauteur supérieure à 84" (213,4 cm) ou s'il n'y en a pas, le réfrigérateur doit être arrimé.

Si les planches antibasculement sont nécessaires, elles doivent être fixées aux goujons du mur arrière de façon à ce qu'il y ait 84" (213,4 cm) entre le bas de la planche antibasculement et le plancher. Voir "Installation des planches antibasculement" pour plus d'informations.

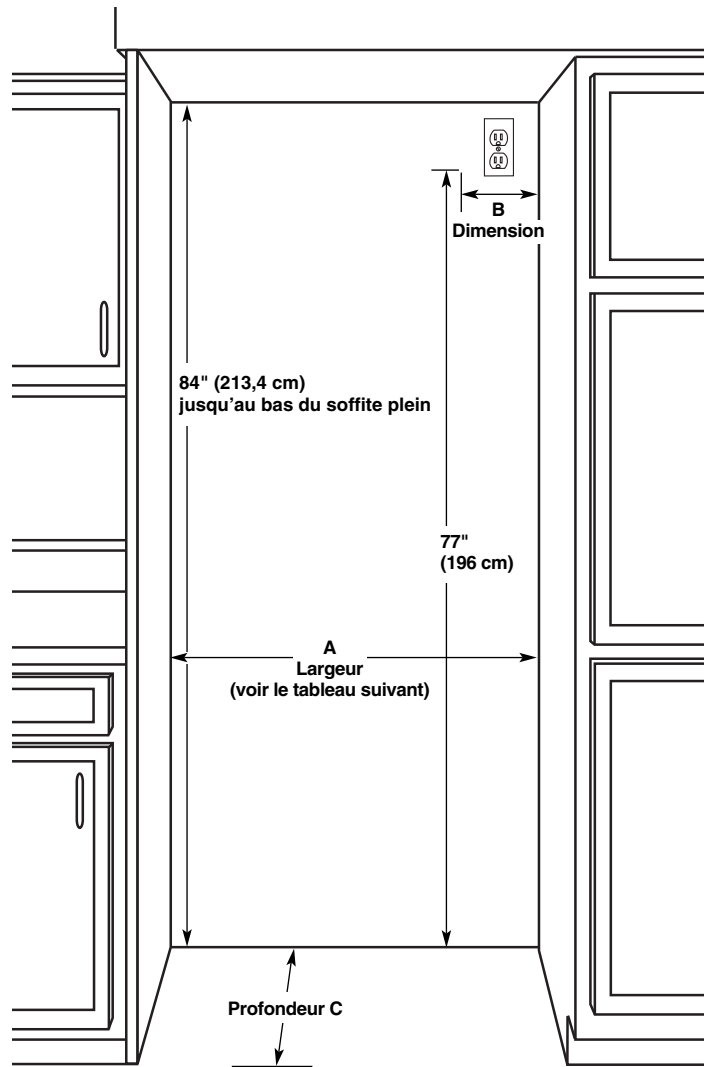
**REMARQUES :**

- Un dégagement de 1/2" (1,3 cm) doit être maintenu au dessus de la grille supérieure pour que la grille supérieure puisse être enlevée.
- Ne pas retirer le joint en mousse du sommet du couvercle du compresseur sauf s'il est nécessaire de le retirer pour installer l'appareil sous un soffite. Retirer le joint peut affecter les performances de refroidissement.
- Si l'appareil est installé sous un soffite massif, relever les pieds de nivellement après l'installation pour que le joint soit solidement appuyé contre le soffite.



A. Joint  
B. Couvercle du compresseur

- Pour une installation intégrée, une ouverture d'encastrement de 6" (15,24 cm) au minimum au-dessus du réfrigérateur est nécessaire. Voir la section "Installation totalement intégrée". Des planches antibasculement sont requises. Voir "Installation des planches antibasculement" pour plus d'informations.
- Une prise de courant à 3 alvéoles reliée à la terre devrait être installée à une distance donnée du côté droit des placards ou du panneau d'extrémité. Voir le schéma sous l'illustration pour la distance requise pour votre modèle. Voir "Spécifications électriques" pour plus d'information.
- Le robinet d'arrêt d'eau doit être situé dans le meuble inférieur d'un côté ou de l'autre du réfrigérateur, ou à un autre endroit facilement accessible. Si le robinet d'arrêt ne se trouve pas dans les meubles, la plomberie d'arrivée d'eau peut provenir du plancher. Voir la section "Exigences de l'alimentation en eau" pour plus d'informations.



Modèle	Largeur A (tel qu'illustré ci-dessus)	Dimension B (tel qu'illustré ci-dessus)
36	36" (91,4 cm)	4" (10,2 cm)
42	42" (106,7 cm)	7 1/2" (19,1 cm)

Type d'installation	Profondeur C (tel qu'illustré ci-dessus)
Standard – Affleurement (nouvelle installation)	25" (63,5 cm) minimum
Modernisations	24" (60,9 cm) minimum

## Spécifications électriques

### ⚠ AVERTISSEMENT



#### Risque de choc électrique

Brancher sur une prise à 3 alvéoles reliée à la terre.

Ne pas enlever la broche de liaison à la terre.

Ne pas utiliser un adaptateur.

Ne pas utiliser un câble de rallonge.

Le non-respect de ces instructions peut causer un décès, un incendie ou un choc électrique.

Avant de placer le réfrigérateur à son emplacement final, il est important de vous assurer d'avoir le raccordement électrique approprié.

#### Méthode recommandée de mise à la terre

Une source d'alimentation de 115 volts, 60 Hz, type 15 ou 20 amp CA seulement, protégée par fusible et adéquatement mise à la terre est nécessaire. Il est recommandé d'utiliser un circuit distinct pour alimenter uniquement votre réfrigérateur. Utiliser une prise murale qui ne peut être mise hors circuit à l'aide d'un commutateur. Ne pas utiliser de cordon de rallonge.

**IMPORTANT :** Si ce produit est connecté à une prise protégée par un disjoncteur de fuite à la terre, un déclenchement intempestif peut se produire et causer une perte de refroidissement. La qualité et la saveur des aliments risquent d'être affectées. Si un déclenchement intempestif se produit et si les aliments semblent de piètre qualité, jeter le tout.

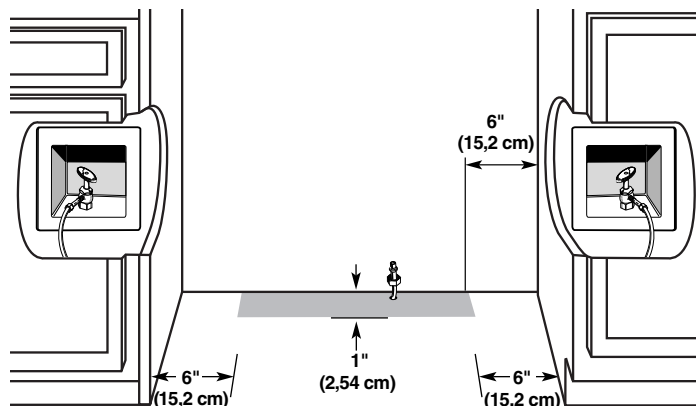
**REMARQUE :** Avant d'exécuter tout type d'installation ou nettoyage, enlever la grille supérieure et mettre l'interrupteur général d'alimentation à OFF (arrêt) ou déconnecter la source de courant électrique au boîtier de disjoncteurs.

Lorsque vous avez terminé, mettre l'interrupteur général d'alimentation à ON (marche) ou reconnecter la source de courant électrique au boîtier de disjoncteurs. Puis remettre la commande au réglage désiré.

## Spécifications de l'alimentation en eau

#### IMPORTANT :

- Toutes les installations doivent être conformes aux exigences des codes locaux de plomberie.
- Si un robinet d'arrêt se trouve dans un mur situé derrière le réfrigérateur, il n'y a pas suffisamment d'espace pour une installation en affleurement.
- Le robinet d'arrêt doit se trouver dans le placard inférieur, d'un côté ou de l'autre du réfrigérateur ou à un autre endroit facilement accessible. La canalisation d'alimentation en eau doit traverser le plancher à l'endroit de la zone grisée, tel qu'illustré.



- Un trou de  $\frac{1}{2}$ " (12,7 mm) pour la plomberie doit être percé à au moins 6" (15,2 cm) du placard de gauche ou de droite et ne pas se trouver à plus de 1" (2,54 cm) du mur arrière. Voir "Raccordement de la canalisation d'eau".
- La canalisation d'alimentation en eau se trouve à l'avant du réfrigérateur.
- Si un tube supplémentaire est nécessaire, utiliser un tube en cuivre et vérifier s'il y a des fuites. Installer les tuyaux en cuivre seulement là où les températures du domicile resteront au-dessus du point de congélation.
- Ne pas employer de robinet d'arrêt à étrier de  $\frac{3}{16}$ " (4,76 mm) ou de type à percer, ce qui réduit le débit d'eau et cause une obstruction plus facilement.

**REMARQUE :** Votre marchand de réfrigérateurs offre une trousse avec un robinet d'arrêt à étrier de  $\frac{1}{4}$ " (6,35 mm), un raccord et un tube en cuivre. Avant l'achat, s'assurer que le robinet d'arrêt à étrier est conforme aux codes locaux de plomberie.

#### Pression de l'eau

Une alimentation en eau froide avec une pression entre 30 et 120 lb/po<sup>2</sup> (207 et 827 kPa) est nécessaire pour faire fonctionner le distributeur d'eau et la machine à glaçons. Si vous avez des questions au sujet de la pression de votre eau, appeler un plombier qualifié agréé.

#### Alimentation en eau par osmose inverse

**IMPORTANT :** La pression de l'alimentation en eau entre le système d'osmose inverse et la valve d'arrivée d'eau du réfrigérateur doit être entre 30 et 120 lb/po<sup>2</sup> (207 à 827 kPa).

Si un système de purification de l'eau par osmose inverse est raccordé à votre alimentation en eau froide, la pression de l'eau au système doit être d'un minimum de 40 à 60 lb/po<sup>2</sup> (276 à 414 kPa).

Si la pression de l'eau au système d'osmose inverse est inférieure à 40 à 60 lb/po<sup>2</sup> (276 à 414 kPa) :

- Vérifier que le filtre à sédiments du système d'osmose inverse n'est pas bloqué et le remplacer si nécessaire.
- Laisser le réservoir du système d'osmose inverse se remplir après une utilisation intense.
- Si votre réfrigérateur a une cartouche de filtre à eau, celle-ci peut réduire encore plus la pression de l'eau lorsqu'elle est utilisée avec un système d'osmose inverse. Retirer la cartouche du filtre à eau.

Si vous avez des questions au sujet de la pression de votre eau, appeler un plombier qualifié agréé.



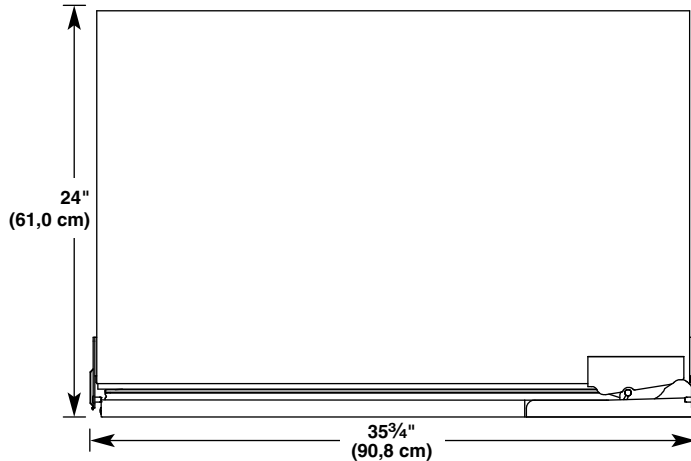
## Dimensions du produit

### IMPORTANT :

- La profondeur entre l'avant des portes et l'arrière de la caisse du réfrigérateur est de 24" (60,96 cm) sans les panneaux.
- Le cordon d'alimentation mesure 84" (213 cm) de long.
- La canalisation d'alimentation en eau se trouve à l'avant en bas du réfrigérateur.

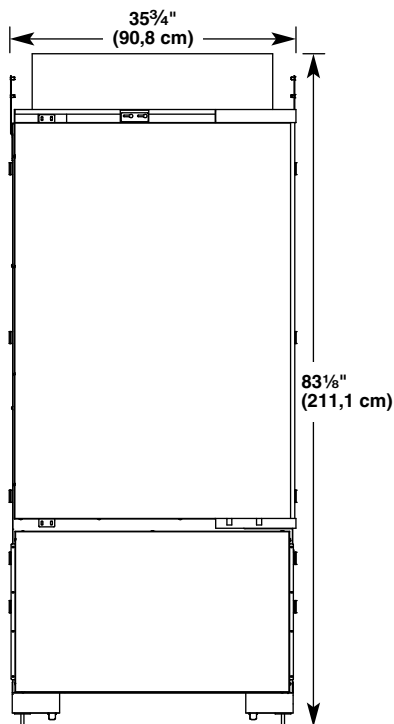
### Réfrigérateur de 36" avec congélateur en bas et porte à battant simple et porte à double battant

#### Vue de dessus



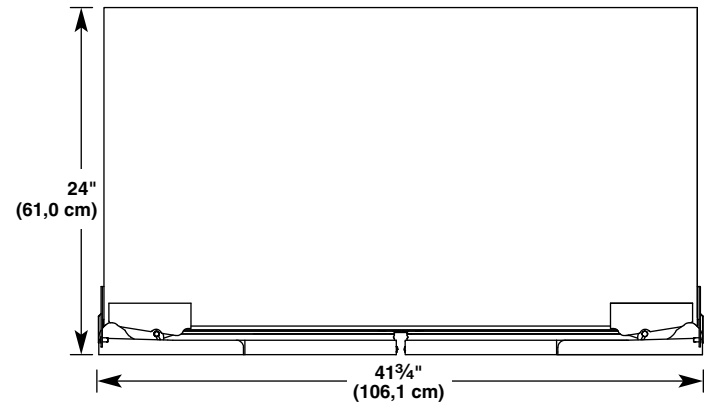
#### Vue de face

- Les dimensions de la largeur ont été relevées du rebord d'une charnière au rebord de l'attache.
- Lorsque les pieds de nivellement sont totalement déployés de 1<sup>1</sup>/<sub>4</sub>" (3,2 cm) au-dessous des roulettes, ajouter 1<sup>1</sup>/<sub>4</sub>" (3,2 cm) à la hauteur totale.



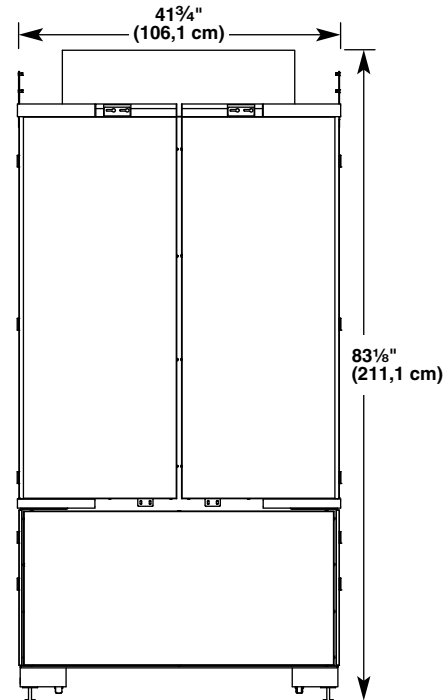
### Réfrigérateur de 42" avec congélateur en bas et porte à double battant

#### Vue du dessus



#### Vue de face

- Les dimensions de la largeur ont été relevées du rebord d'une charnière au rebord de l'autre.
- Lorsque les pieds de nivellement sont totalement déployés de 1<sup>1</sup>/<sub>4</sub>" (3,2 cm) au-dessous des roulettes, ajouter 1<sup>1</sup>/<sub>4</sub>" (3,2 cm) à la hauteur totale.



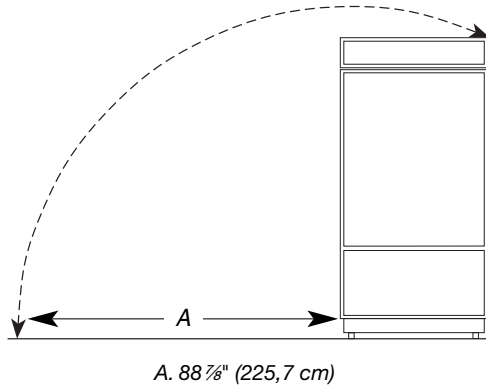
## Rayon de basculement

Avant de mettre le réfrigérateur en place, s'assurer que la hauteur du plafond est suffisante pour mettre le réfrigérateur en position verticale.

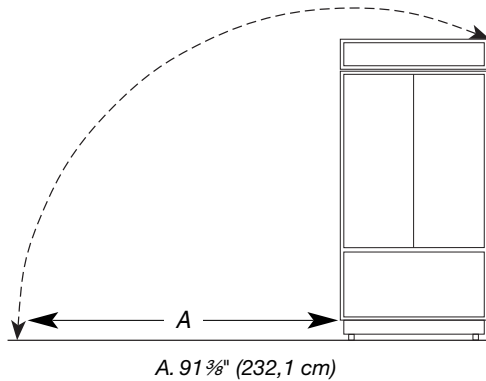
- Si on utilise un chariot à roulettes, on doit ajouter la hauteur du chariot au rayon de basculement.

**REMARQUE :** Ne faire basculer que latéralement.

### Rayon de basculement latéral – modèles de 36" (91,4 cm)



### Rayon de basculement latéral – modèles de 42" (106,7 cm)

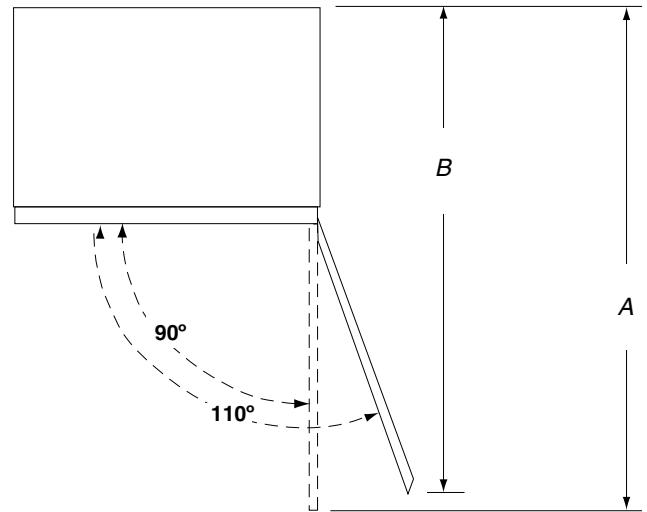


## Dimensions pour l'ouverture des portes

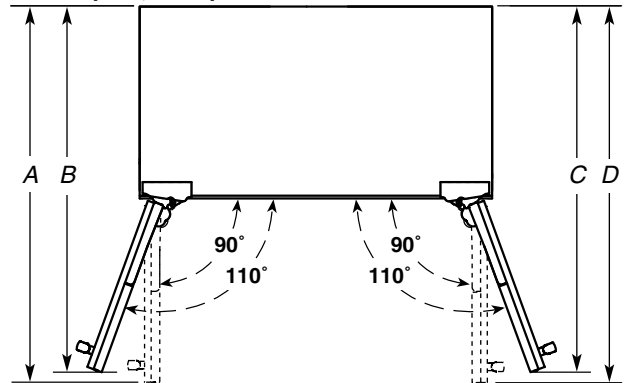
- L'emplacement d'installation doit permettre l'ouverture des deux portes à un angle minimal de 90°.
- Laisser un espace libre d'au moins 4 1/2" (11,4 cm) entre le côté du réfrigérateur et un mur d'angle.

**REMARQUE :** Un dégagement plus grand peut être nécessaire si l'on utilise des panneaux de bois décoratifs personnalisés, des poignées personnalisées ou des poignées de plus grande profondeur.

### Modèles avec porte à battant simple de 36" (91,4 cm)



### Modèles avec porte à double battant de 36" (91,4 cm) et de 42" (106,6 cm)



Modèle	A	B	C	D
36	58 <sup>3</sup> / <sub>4</sub> " (149,2 cm)	56 <sup>5</sup> / <sub>8</sub> " (143,8 cm)	56 <sup>5</sup> / <sub>8</sub> " (143,8 cm)	58 <sup>3</sup> / <sub>4</sub> " (149,2cm)
36 FD	41" (104 cm)	39 <sup>3</sup> / <sub>4</sub> " (101cm)	39 <sup>3</sup> / <sub>4</sub> " (101cm)	41" (104 cm)
42 FD	44" (111,8 cm)	42 <sup>3</sup> / <sub>4</sub> " (108,6 cm)	42 <sup>3</sup> / <sub>4</sub> " (108,6 cm)	44" (111,8 cm)

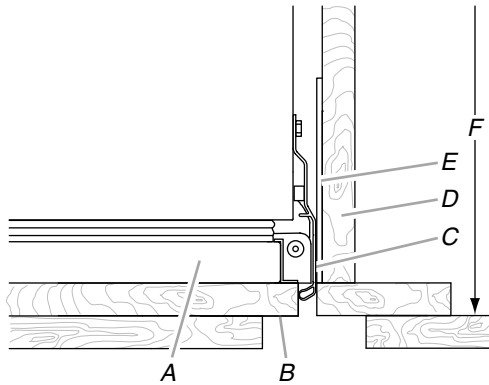
## Options d'installation du placard et du panneau

**REMARQUE :** Les illustrations ci-dessous présentent les différentes possibilités de configuration d'installation pour certaines profondeurs de placard. Toutes les configurations possibles ne sont pas illustrées.

### Profondeur de placard – 25" (63,5 cm)

#### Meubles à encadrement

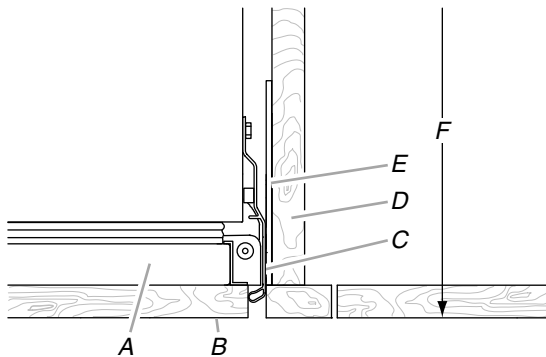
Vue du dessus



- |                           |                                     |
|---------------------------|-------------------------------------|
| A. Porte du réfrigérateur | D. Placard adjacent                 |
| B. Panneau de porte       | E. Garniture pour renvoi affleurant |
| C. Garniture latérale     | F. 25" (63,5 cm)                    |

#### Inséré

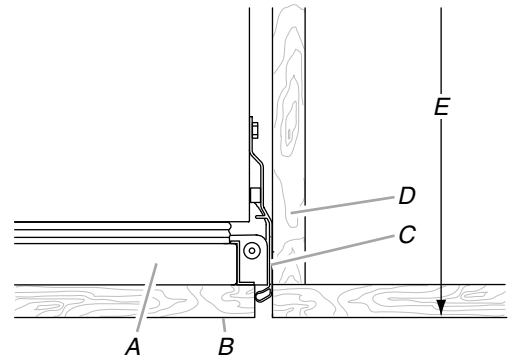
Vue du dessus



- |                           |                                     |
|---------------------------|-------------------------------------|
| A. Porte du réfrigérateur | D. Placard adjacent                 |
| B. Panneau de porte       | E. Garniture pour renvoi affleurant |
| C. Garniture latérale     | F. 25" (63,5 cm)                    |

#### Meubles sans encadrement

Vue du dessus



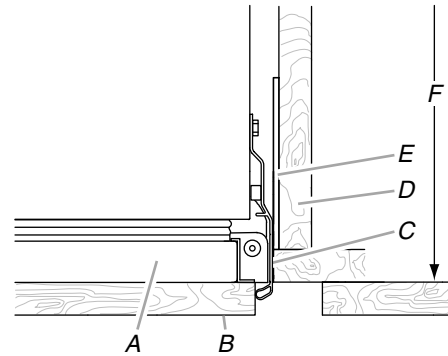
- |                           |                     |
|---------------------------|---------------------|
| A. Porte du réfrigérateur | D. Placard adjacent |
| B. Panneau de porte       | E. 25" (63,5 cm)    |
| C. Garniture latérale     |                     |

### Profondeur de placard – 24" (60,9 cm)

**REMARQUE :** Une installation en affleurement n'est pas possible avec une ouverture de 24" (60,9 cm) de profondeur.

#### Meubles à encadrement

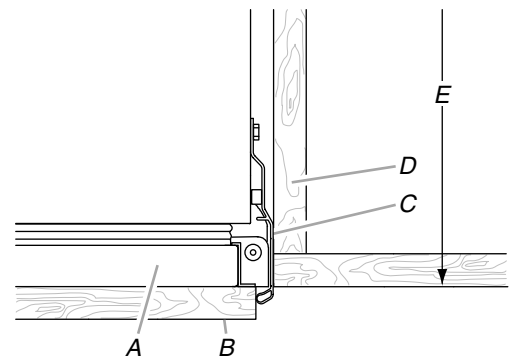
Vue du dessus



- |                           |                                     |
|---------------------------|-------------------------------------|
| A. Porte du réfrigérateur | D. Placard adjacent                 |
| B. Panneau de porte       | E. Garniture pour renvoi affleurant |
| C. Garniture latérale     | F. 24" (60,9 cm)                    |

#### Meubles sans encadrement

Vue du dessus



- |                           |                     |
|---------------------------|---------------------|
| A. Porte du réfrigérateur | D. Placard adjacent |
| B. Panneau de porte       | E. 24" (60,9 cm)    |
| C. Garniture latérale     |                     |

## Exigences d'installation d'une grille totalement intégrée

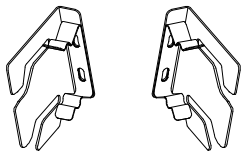
Le réfrigérateur peut être intégralement encastré si les meubles adjacents satisfont les conditions de circulation d'air essentielles au bon fonctionnement du réfrigérateur. L'installation d'une grille totalement intégrée ne possède pas d'espace visible pour l'air car la grille se prolonge vers le haut jusqu'au soffite ou au meuble supérieur.

### IMPORTANT :

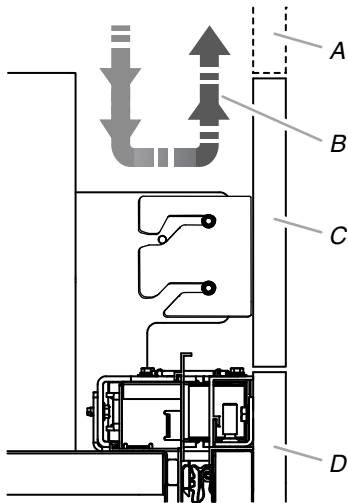
- L'installation d'une grille totalement intégrée exige un dégagement de 6" (15,24 cm) au moins au-dessus du réfrigérateur. Cet espace doit être totalement dégagé, notamment des soffites.
- L'installation d'une grille totalement intégrée est possible avec une ouverture de 24" (60,9 cm) ou 25" (63,5 cm).
- Une grille de pleine hauteur est utilisée pour réaliser une installation totalement intégrée. Utiliser le support de grille intégré (fourni avec le réfrigérateur) pour fixer la grille de pleine hauteur.

**REMARQUE :** Aucune ouïe sur la grille supérieure n'est nécessaire avec une grille de pleine hauteur.

### Support de grille intégrée



### Installation d'une grille totalement intégrée – Vue latérale



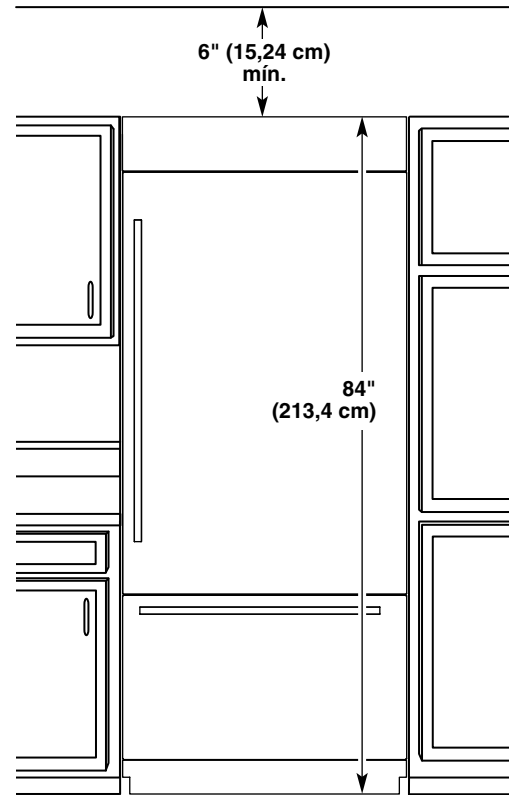
A. Avant décoratif (facultatif)  
B. Circulation d'air

C. Grille de pleine hauteur\*  
D. Panneau de porte\*

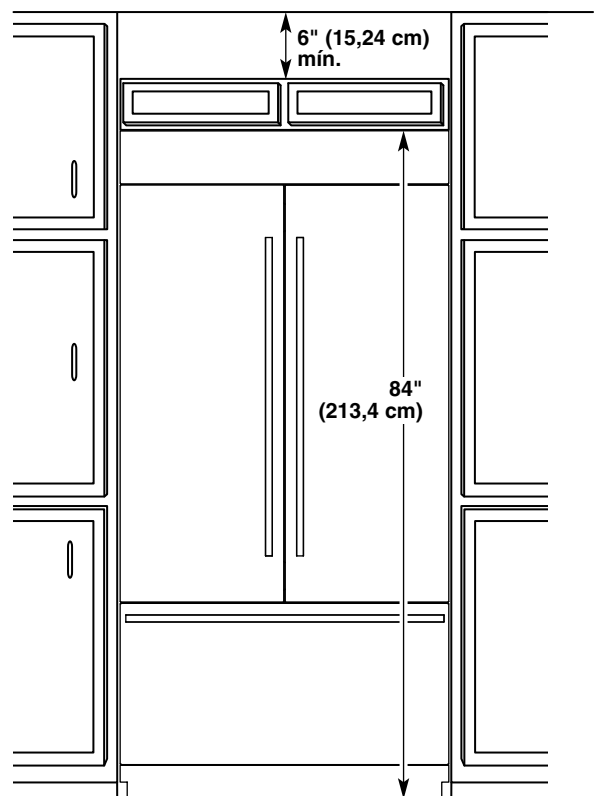
\*C et D sont une seule et même pièce dans l'option d'installation de la porte pleine hauteur.

## Options d'installation d'une grille totalement intégrée

### Option 1 – Ouverture vers le plafond



### Option 2 – Avant décoratif (façade de meuble uniquement)

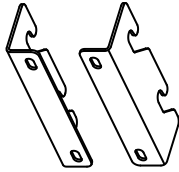


## Exigences d'installation d'une grille intégrée standard

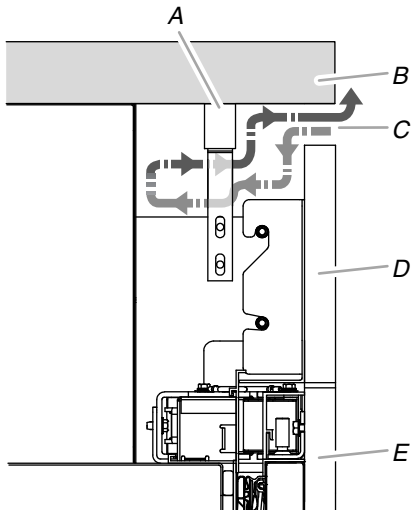
### IMPORTANT :

- L'installation d'une grille intégrée standard est possible avec une ouverture de 24" (60,9 cm) ou 25" (63,5 cm).
- Pour réaliser une installation de grille intégrée standard, on doit utiliser une grille standard. Utiliser le support de grille standard (fourni avec le réfrigérateur) pour fixer la grille standard.
- La hauteur du panneau de grille, illustrée dans l'image de la section "Installation d'une grille intégrée standard – Vue latérale", assure une circulation d'air essentielle au bon fonctionnement du réfrigérateur.

### Support de grille standard



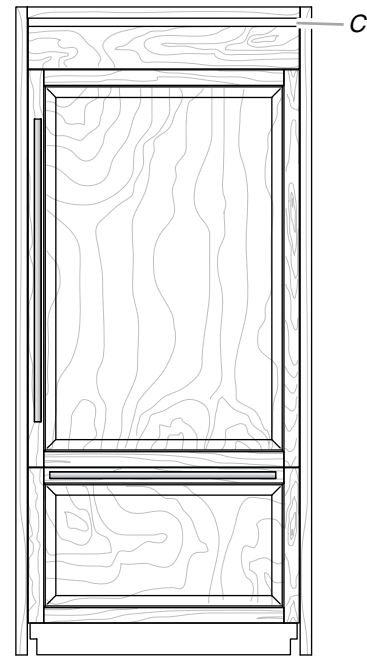
### Installation d'une grille intégrée standard – Vue latérale



A. Panneau de remplissage de la grille supérieure  
B. Soffite

C. Circulation d'air  
D. Panneau de la grille  
E. Panneau de porte

### Installation d'une grille intégrée standard – Vue complète du produit



C. Circulation d'air

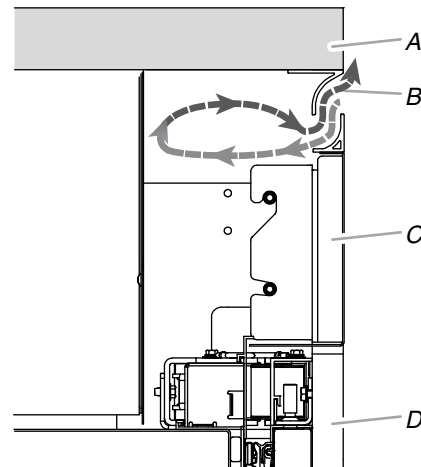
## Spécifications pour l'installation de l'ensemble de panneaux en acier inoxydable

Voir la section "Modèles avec porte à battant simple de 36" ou "Modèles avec porte à double battant de 36" ou de 42" pour connaître les options de panneau disponibles pour votre modèle.

### IMPORTANT :

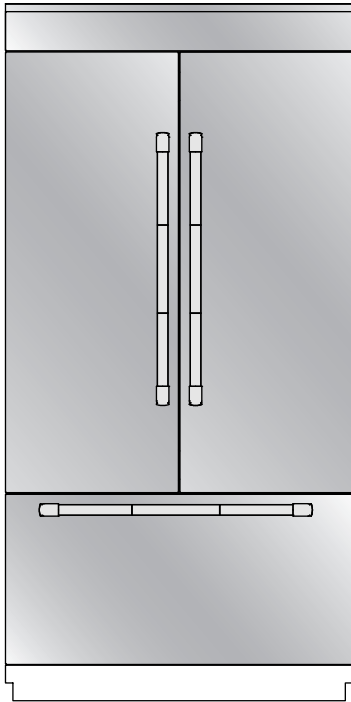
- L'installation d'un ensemble de panneaux est possible avec une ouverture de 24" (60,9 cm) ou 25" (63,5 cm).
- Reportez-vous aux instructions fournies avec l'Ensemble de panneaux de porte en acier inoxydable pour installer les panneaux de porte et la grille standard.
- La hauteur du panneau de grille, illustrée dans l'image de la section "Installation d'un ensemble de panneaux – Vue latérale", assure une circulation d'air essentielle au bon fonctionnement du réfrigérateur.

### Installation avec ensemble de panneaux – Vue latérale



A. Soffite  
B. Circulation d'air

C. Panneau de la grille  
D. Panneau de porte



## Spécifications des panneaux en bois décoratifs personnalisés

Les panneaux décoratifs en bois personnalisés permettent d'harmoniser l'extérieur du réfrigérateur avec l'ensemble du décor de la cuisine et d'utiliser des poignées personnalisées pour une plus grande souplesse de design.

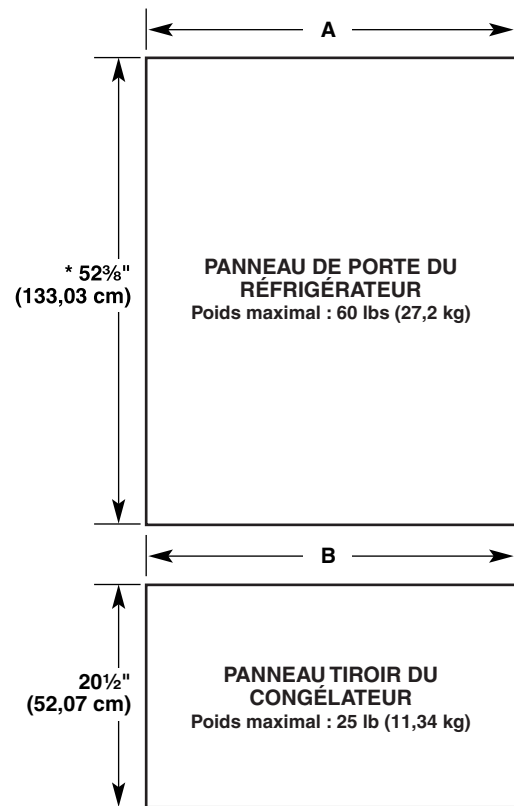
Dans certains cas, le fabricant des placards peut préférer travailler avec un seul panneau usiné pour différentes dimensions. Suivre les instructions relatives aux dimensions et au placement des panneaux pour s'assurer que les panneaux décoratifs en bois personnalisés conviendront parfaitement.

### IMPORTANT :

- Pour les modèles de 36" (91,4 cm), le panneau décoratif en bois de la porte du réfrigérateur ne doit pas excéder 60 lb (27,2 kg) et le panneau décoratif du tiroir du congélateur ne doit pas excéder 25 lb (11,3 kg).
- Pour les modèles avec porte à double battant de 36", le panneau décoratif en bois de la porte du réfrigérateur ne doit pas excéder 38 lb (17,2 kg) et le panneau décoratif du tiroir du congélateur ne doit pas excéder 25 lb (11,3 kg).
- Pour les modèles de 42" (106,7 cm), le panneau décoratif de la porte du réfrigérateur ne doit pas excéder 38 lb (17,2 kg) et le panneau décoratif du tiroir du congélateur ne doit pas excéder 30 lb (13,6 kg).
- Pour les deux modèles, le poids du panneau décoratif en bois de la grille supérieure ne doit pas excéder 7 lb (3,2 kg).
- L'épaisseur nécessaire pour tous les panneaux est de  $\frac{3}{4}$ " (1,91 cm).
- Cette installation ne nécessite pas de panneaux de remplissage ni de panneaux d'appui.

## Panneaux décoratifs en bois personnalisés - Dimensions

Modèles avec porte à battant simple de 36" (91,4 cm) — Panneaux de porte et de tiroir



### ▲ MISE EN GARDE

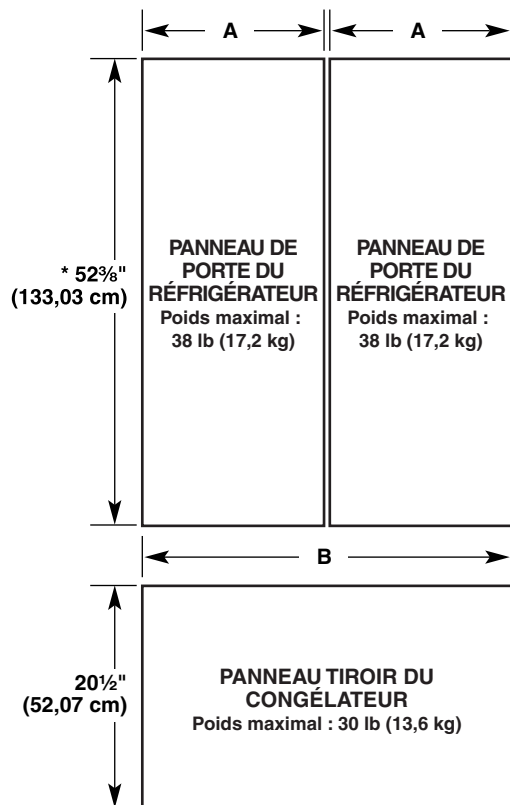
#### Risque de pincement

L'installation de panneaux de porte avec un espacement de moins de  $\frac{3}{8}$ " (0,95 cm) entre le panneau de porte et le placard adjacent augmente le risque de pincement potentiel.

Modèle	36" avec porte à battant simple avec congélateur en bas	
Retrait	$\frac{3}{8}$ "	$\frac{1}{8}$ "
A	35 $\frac{1}{4}$ " (89,54 cm)	35 $\frac{3}{4}$ " (90,81 cm)
B	35 $\frac{1}{4}$ " (89,54 cm)	35 $\frac{3}{4}$ " (90,81 cm)

\*Pour les installations de grille intégrée ou de grille standard.

**Modèles avec porte à double battant de 36" et de 42" (106,7 cm) – Panneaux de porte et de tiroir**



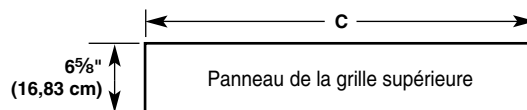
**▲ MISE EN GARDE**

**Risque de pincement**

L'installation de panneaux de porte avec un espacement de moins de 3/8" (0,95 cm) entre le panneau de porte et le placard adjacent augmente le risque de pincement potentiel.

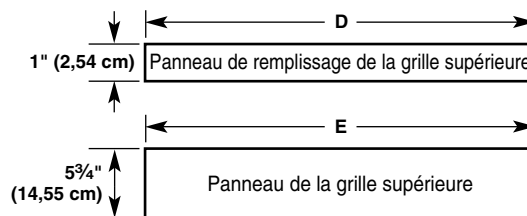
**Panneau de la grille**

**Installation intégrée – Grille de pleine hauteur – Soffite ouvert**



Modèle	36		42	
Retrait	3/8"	1/8"	3/8"	1/8"
C	35 1/4" (89,54 cm)	35 3/4" (90,81 cm)	41 1/4" (104,78 cm)	41 3/4" (106,05 cm)

**Installation d'une grille intégrée standard – Grille affleurante – Soffite ouvert ou fermé**



Modèle	36		42	
Retrait	3/8"	1/8"	3/8"	1/8"
D	35 1/4" (89,54 cm)	35 3/4" (90,81 cm)	41 1/4" (104,78 cm)	41 3/4" (106,05 cm)
E	35 1/4" (89,54 cm)	35 3/4" (90,81 cm)	41 1/4" (104,78 cm)	41 3/4" (106,05 cm)

**IMPORTANT :** La hauteur du panneau de grille, illustrée dans l'image de la section "Installation d'une grille intégrée standard – Grille affleurante", assure une circulation d'air essentielle au bon fonctionnement du réfrigérateur.

**Installation porte pleine hauteur - Aucune grille - soffite ouvert**

Aucune grille n'est utilisée pour une installation de porte pleine hauteur. Utilisez un ensemble pour armoire pour dissimuler le système de refroidissement situé sur le dessus du réfrigérateur, visible lorsque les portes sont ouvertes. Voir les instructions fournies avec l'ensemble pour armoire pour des détails sur l'installation et les dimensions des portes décoratives en bois personnalisées.

Modèle	36" avec congélateur en bas et porte à double battant	
Retrait	3/8"	1/8"
A	17 9/16" (44,6 cm)	17 13/16" (45,2 cm)
B	35 1/4" (89,5 cm)	35 3/4" (90,8 cm)

Modèle	42" avec congélateur en bas et porte à double battant	
Retrait	3/8"	1/8"
A	20 9/16" (52,23 cm)	20 13/16" (52,86 cm)
B	41 1/4" (104,78 cm)	41 3/4" (106,05 cm)

\*Pour les installations de grille intégrée ou de grille standard.

# INSTRUCTIONS D'INSTALLATION

## Déballage du réfrigérateur

### **⚠ AVERTISSEMENT**



#### Risque de basculement

Le réfrigérateur est lourd au sommet et bascule facilement lorsqu'il n'est pas complètement installé.

Garder les portes fermées avec un ruban adhésif jusqu'à l'installation complète du réfrigérateur.

Utiliser deux ou plus de personnes pour déplacer et installer le réfrigérateur.

Le non-respect de ces instructions peut causer un décès ou une blessure grave.

#### IMPORTANT :

- Ne pas ôter la pellicule avant que le réfrigérateur ne soit à la position de service.
  - Les quatre pieds de réglage de l'aplomb doivent toucher le plancher pour supporter et stabiliser le poids total du réfrigérateur.
  - Garder la pièce de carton ou de contreplaqué d'expédition sous le réfrigérateur jusqu'à son installation à l'emplacement de service.
1. Retirer et conserver le sachet de documents et de matériel à l'intérieur du réfrigérateur. Enlever et conserver la documentation, la grille et la garniture fixées à l'extérieur du réfrigérateur par du ruban adhésif.

**REMARQUE :** Ne pas enlever les rubans adhésifs et articles d'arrimage des portes avant que le réfrigérateur ne soit placé à sa position finale.

## Déplacement du réfrigérateur dans le domicile

### **⚠ AVERTISSEMENT**



#### Risque de basculement

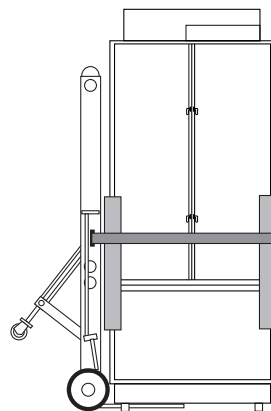
Le réfrigérateur est lourd au sommet et bascule facilement lorsqu'il n'est pas complètement installé.

Garder les portes fermées avec un ruban adhésif jusqu'à l'installation complète du réfrigérateur.

Utiliser deux ou plus de personnes pour déplacer et installer le réfrigérateur.

Le non-respect de ces instructions peut causer un décès ou une blessure grave.

1. Introduire un chariot pour appareil ménager sous le côté gauche du réfrigérateur, tel qu'illustré. À cette fin, placer les coins de protection de l'emballage sur les garnitures comme il convient. Serrer lentement la sangle.



2. Placer des bouts du carton d'expédition sur le plancher lorsqu'on fait rouler le chariot et le réfrigérateur pour les faire entrer dans le domicile. Approcher le réfrigérateur près de l'ouverture d'encastrement.
3. Placer le dessus du carton ou du contreplaqué sous le réfrigérateur.
4. Mettre le réfrigérateur en position verticale. Placer d'abord le bord inférieur gauche du réfrigérateur sur le plancher, puis mettre le réfrigérateur debout et abaisser ensuite le côté droit du réfrigérateur sur le plancher.



## Installation de planches antibasculement

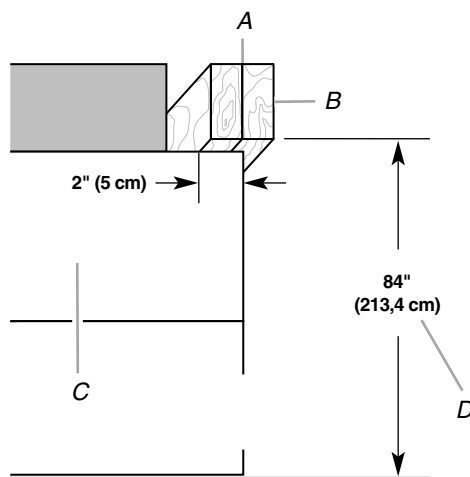
### IMPORTANT :

- Si aucun soffite plein n'est disponible, des planches antibasculement doivent être installées.
- On recommande la mise en place d'une ou de plusieurs planches avant l'installation du réfrigérateur.
- Il faut que les planches soient assez longues pour recouvrir complètement le couvercle du compresseur sur toute la largeur.
- Positionner les planches de telle manière que les surfaces inférieures soient à 84" (213 cm) du plancher.
- Durant l'installation, soulever le réfrigérateur jusqu'à ce que le sommet du réfrigérateur soit en contact avec le bas des planches antibasculement. Veiller à ne pas écraser le couvercle du compresseur lors du soulèvement des pieds de réglage de l'aplomb arrière.

**REMARQUE :** Le joint en mousse sur le sommet du couvercle du compresseur se comprimera pour tenir sous la ou les planche(s) anti-basculement. Il n'est pas nécessaire de découper le joint.

### Installation des planches antibasculement

1. Marquer la position des poteaux de colombage sur le mur arrière.
2. Fixer solidement deux planches de 2" x 4" x 32" (5 cm x 10 cm x 81 cm) sur les poteaux de colombage derrière le réfrigérateur. Utiliser 6 vis à bois n° 8 x 3" (7,6 cm) (ou plus longues). Les vis à bois doivent pénétrer dans les poteaux d'au moins 1½" (3,8 cm). Les planches doivent être placées en chevauchement sur le couvercle du compresseur.



- A. Deux planches de 2" x 4" x 32" (5 cm x 10 cm x 81 cm)  
 B. Fixer aux poteaux avec 6 vis n° 8 x 3" (7,6 cm)  
 C. Couvercle du compresseur  
 D. Distance entre le bas des planches antibasculement et le plancher

## Raccordement à l'alimentation en eau

Lire toutes les instructions avant de commencer.

**IMPORTANT :** Si l'on doit mettre en marche le réfrigérateur avant que la canalisation d'eau ne soit connectée, ÉTEINDRE la machine à glaçons.

### Raccordement à la canalisation d'eau

#### Pièces nécessaires

- Canalisation flexible d'alimentation en eau approuvée par les codes en vigueur de 7 pi (2,13 m) minimum

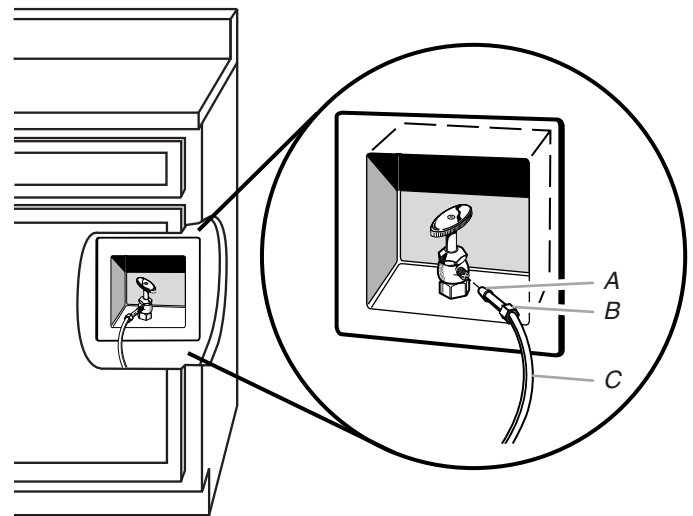
#### Style 1 – Raccordement au robinet d'arrêt

**REMARQUE :** Si le raccordement de la canalisation d'eau ne ressemble pas au Style 1, voir "Style 2 – Raccordement de la canalisation en cuivre".

1. Débrancher le réfrigérateur ou déconnecter la source de courant électrique.

#### IMPORTANT :

- Si un robinet d'arrêt se trouve dans un mur situé derrière le réfrigérateur, il n'y a pas suffisamment d'espace pour une installation en affleurement. Le robinet d'arrêt devrait se trouver dans le placard inférieur, d'un côté ou de l'autre du réfrigérateur.
  - Avant de raccorder le tube au robinet d'arrêt, rincer la canalisation d'eau principale pour éliminer l'air et les débris qui s'y trouvent. Laisser s'écouler une quantité d'eau suffisante, jusqu'à ce qu'elle soit limpide. Le rinçage de la canalisation d'eau peut permettre d'éviter l'obstruction des filtres et/ou celle des robinets.
2. Raccorder la canalisation flexible d'alimentation en eau approuvée par les codes en vigueur au robinet d'arrêt en enfilaient l'écrou fourni sur le robinet d'arrêt, tel qu'illustré.



- A. Renflement  
 B. Écrou  
 C. Tuyau d'eau

3. Placer l'extrémité du tube dans un seau et OUVRIER le robinet d'arrêt.
4. Vérifier qu'il n'y a pas de fuites. Si des fuites sont identifiées, resserrer tous les écrous ou raccords concernés (y compris les raccords au niveau du robinet).

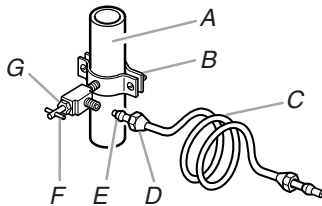
## Style 2—Raccordement de la canalisation d'eau en cuivre

**REMARQUE :** S'il y a une canalisation d'alimentation en eau qui satisfait aux "Exigences d'alimentation en eau", passer à "Raccordement au réfrigérateur". Si ce n'est pas le cas, utiliser les instructions suivantes pour le raccordement à l'alimentation d'eau froide du domicile.

1. Débrancher le réfrigérateur ou déconnecter la source de courant électrique.
2. FERMER le robinet principal d'alimentation en eau. OUVRIR le robinet le plus proche pendant une période suffisante pour purger toute l'eau de la canalisation.
3. Identifier une canalisation d'eau froide verticale de 1/2" à 1 1/4" (1,25 cm à 3,18 cm) à proximité du réfrigérateur.

### IMPORTANT :

- Vérifier qu'il s'agit d'une canalisation d'eau froide.
  - On peut aussi utiliser une canalisation horizontale; dans ce cas, on devra percer sur la face supérieure du tuyau et non pas au-dessous. Ceci permet de tenir la perceuse à l'écart de l'eau et d'empêcher les sédiments qu'on trouve normalement dans l'eau de s'accumuler dans le robinet.
4. Déterminer la longueur de tube de cuivre à utiliser. Mesurer depuis le point de connexion du réfrigérateur à la canalisation d'eau. Ajouter 7 pi (2,1 m) pour permettre les opérations de nettoyage. Utiliser un tube en cuivre de 1/4" (6,35 mm) de diamètre extérieur. Veiller à ce que le tube soit coupé d'équerre aux deux extrémités.
  5. À l'aide d'une perceuse sans fil, percer un trou de 1/4" (6,35 mm) dans la canalisation d'eau froide choisie.



A. Canalisation d'eau froide  
B. Bride de tuyau  
C. Tube en cuivre  
D. Écrou de compression  
E. Bague de compression  
F. Robinet d'arrêt  
G. Écrou de serrage

6. Fixer le robinet d'arrêt sur la canalisation d'eau froide avec la bride de tuyau. Vérifier que l'extrémité du raccord de sortie est bien engagée dans le trou de 1/4" (6,35 mm) percé dans la canalisation et que la rondelle d'étanchéité se trouve sous la bride du tuyau. Serrer l'écrou de serrage. Serrer lentement et uniformément les vis fixant la bride de tuyau sur le tuyau afin d'assurer l'étanchéité du joint. Ne pas serrer excessivement.

**IMPORTANT :** Avant de raccorder le tube au robinet d'arrêt, rincer la canalisation d'eau principale pour éliminer l'air et les débris qui s'y trouvent. Laisser s'écouler une quantité d'eau suffisante, jusqu'à ce qu'elle soit limpide. Le rinçage de la canalisation d'eau peut permettre d'éviter l'obstruction des filtres et/ou celle des robinets.

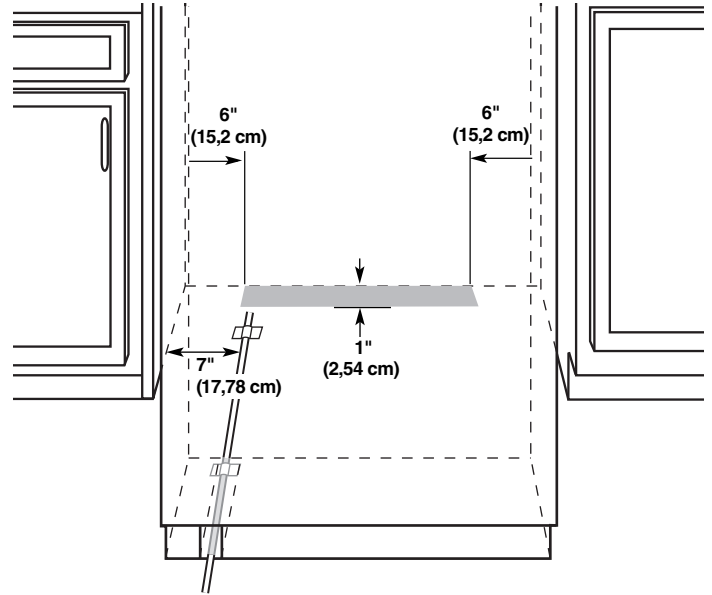
7. Enfiler la bague et l'écrou de compression sur le tube en cuivre tel qu'illustré. Insérer l'extrémité du tube directement dans l'extrémité de sortie, aussi loin que possible. Visser l'écrou de compression sur l'extrémité de sortie du raccord à l'aide d'une clé à molette. Ne pas serrer excessivement la bride ou la bague. Ceci provoquera l'écrasement du tube de cuivre.

8. Fermer le robinet d'arrêt de la canalisation d'eau. Lover le tube de cuivre.
9. Raccorder la canalisation flexible d'alimentation en eau approuvée par les codes en vigueur au robinet d'arrêt en enfilant l'écrou fourni sur le robinet d'arrêt.
10. Placer l'extrémité du tube dans un seau et OUVRIR le robinet d'arrêt.
11. Inspecter pour rechercher des fuites au niveau du robinet d'arrêt à étrier. Si des fuites sont identifiées, resserrer tous les écrous ou raccords concernés (y compris les raccords au niveau du robinet).

## Raccordement au réfrigérateur

### Pièces fournies

- Raccord mâle-mâle 1/4" — 1/4" (6,35 mm — 6,35 mm)



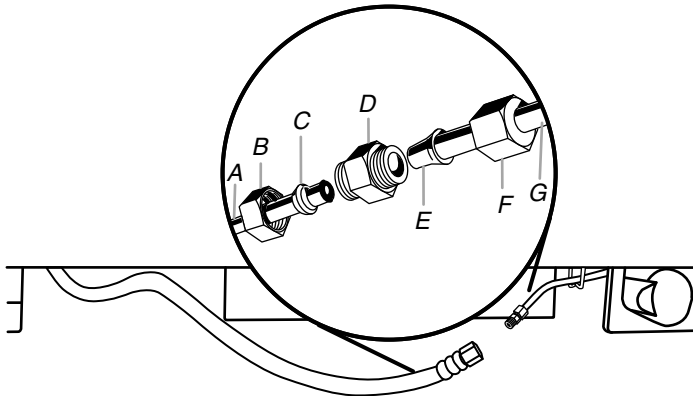
**REMARQUE :** La canalisation flexible d'alimentation en eau approuvée par les codes en vigueur doit être raccordée au robinet d'alimentation en eau par le plancher.

1. Débrancher le réfrigérateur ou déconnecter la source de courant électrique.
2. Raccorder le tube flexible de 7 pi (2,13 m) approuvé par les codes en vigueur au robinet d'alimentation en eau.
3. Rincer la canalisation d'alimentation en eau principale pour éliminer les particules et l'air présents dans la canalisation d'eau. Laisser s'écouler une quantité d'eau suffisante, jusqu'à ce qu'elle soit limpide.
4. Avec du ruban adhésif, fixer la canalisation flexible d'alimentation en eau approuvée par les codes en vigueur de 7 pi (2,13 m) au plancher, à 7" (17,78 cm) du côté gauche du réfrigérateur. La fixer le long du tube avec du ruban adhésif; ceci lui permet ainsi de passer sous le réfrigérateur sans rencontrer d'obstacle.

**REMARQUE :** Laisser pendre un minimum de 26" (66,04 cm) de la canalisation flexible d'alimentation en eau approuvée par les codes en vigueur à l'avant du réfrigérateur pour le raccordement au réfrigérateur.

- Raccorder la canalisation flexible d'alimentation en eau approuvée par les codes en vigueur de 7 pi (2,13 m) au réfrigérateur.

**REMARQUE :** Si le robinet d'arrêt principal se trouve derrière le réfrigérateur, un deuxième robinet d'arrêt peut être installé en ligne directe avec la canalisation d'alimentation en eau, à l'avant du produit.



- |                             |                                 |
|-----------------------------|---------------------------------|
| A. Canalisation du domicile | E. Renflement                   |
| B. Écrou (à acheter)        | F. Écrou                        |
| C. Virole (à acheter)       | G. Tuyau d'eau du réfrigérateur |
| D. Raccord                  |                                 |

- Ouvrir l'alimentation en eau et inspecter tous les raccords pour identifier toute fuite éventuelle.

## Branchement du réfrigérateur

### **AVERTISSEMENT**



#### Risque de choc électrique

- Brancher sur une prise à 3 alvéoles reliée à la terre.**
- Ne pas enlever la broche de liaison à la terre.**
- Ne pas utiliser un adaptateur.**
- Ne pas utiliser un câble de rallonge.**
- Le non-respect de ces instructions peut causer un décès, un incendie ou un choc électrique.**

- Régler l'interrupteur de commande de la partie supérieure de la caisse à la position OFF (arrêt).
- Brancher sur une prise à 3 alvéoles reliée à la terre.

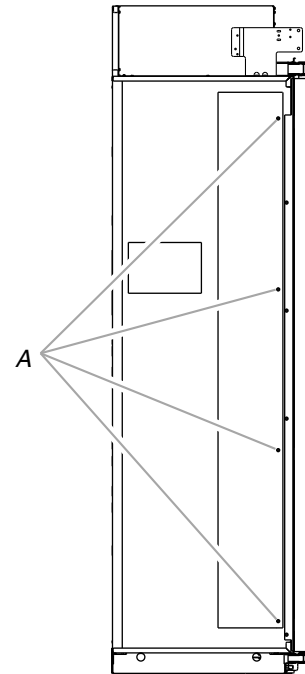
## Installation des garnitures latérales

Les garnitures latérales couvrent l'espace entre le réfrigérateur et les placards adjacents. Une garniture est fixée de chaque côté du réfrigérateur. Installer chaque garniture sur le côté du réfrigérateur auquel elle est fixée.

- Retirer le ruban adhésif fixant chaque garniture latérale au réfrigérateur. Conserver les garnitures à part.

**IMPORTANT :** Pour les installations comprenant des panneaux de bois personnalisés avec un écart de 1/8" uniquement, le renflement sur la tranche de la garniture entravera l'installation des panneaux. Retirer le renflement de la tranche de la garniture et le jeter. Voir l'illustration "Vue du dessus" plus loin dans cette section.

- Retirer les quatre vis du côté de la caisse du réfrigérateur.

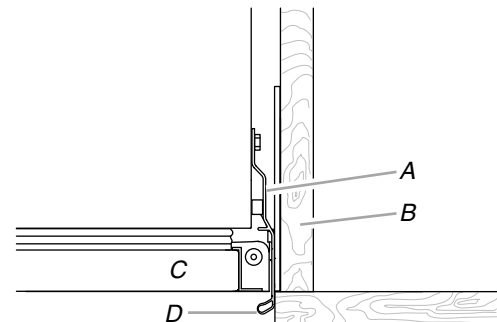


A. Vis de la garniture latérale

- En utilisant les trous d'origine et les vis retirées à l'étape 2, fixer la garniture latérale à la caisse du réfrigérateur.

**REMARQUE :** S'assurer de fixer chaque garniture sur le côté de la caisse du réfrigérateur dont elle a été retirée. Le renflement doit être en avant avec l'encoche sur le dessus, tel qu'illustré.

### Vue du dessus



- |                       |               |
|-----------------------|---------------|
| A. Garniture latérale | C. Porte      |
| B. Placard adjacent   | D. Renflement |

## Déplacement du réfrigérateur à son emplacement définitif

### ⚠️ AVERTISSEMENT



#### Risque de basculement

Le réfrigérateur est lourd au sommet et bascule facilement lorsqu'il n'est pas complètement installé.

Garder les portes fermées avec un ruban adhésif jusqu'à l'installation complète du réfrigérateur.

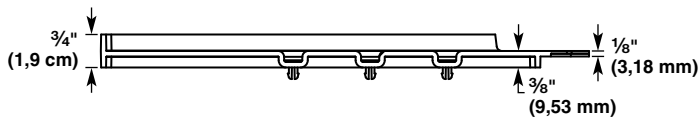
Utiliser deux ou plus de personnes pour déplacer et installer le réfrigérateur.

Le non-respect de ces instructions peut causer un décès ou une blessure grave.

#### IMPORTANT :

- Une installation en affleurement n'est PAS possible avec une ouverture de 24" (60,9 cm) de profondeur.
- Avant de déplacer le réfrigérateur, vérifier que les dispositifs de nivellement sont relevés (aucun contact avec le plancher) et que le réfrigérateur repose sur ses roulettes afin d'éviter d'endommager le plancher.
- Utiliser comme référence la cale d'installation, fixée à la charnière de porte, pour vérifier que le réfrigérateur est poussé suffisamment loin dans son ouverture, de sorte que les panneaux une fois installés affleurent avec les placards adjacents.
- Une fois le réfrigérateur à niveau et aligné, retirer la cale d'installation de la charnière de porte et l'utiliser pour vérifier l'espace entre les panneaux et les placards adjacents.

**REMARQUE :** La cale d'installation est conçue pour assurer un espacement précis de  $\frac{3}{4}$ " (1,9 cm),  $\frac{3}{8}$ " (9,53 mm) et  $\frac{1}{8}$ " (3,18 mm).

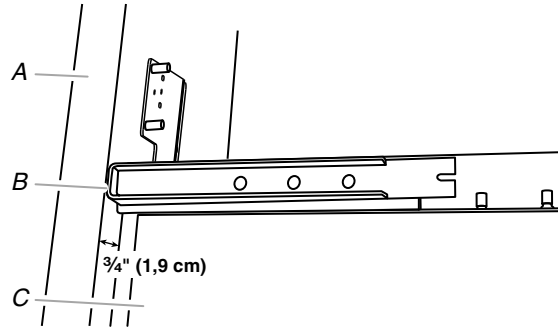


1. Placer le dessus du carton ou du contreplaqué sous le réfrigérateur. Retirer le chariot.
2. Replacer le réfrigérateur en ligne droite dans l'ouverture; le placer de façon à ce que les dégagements autour de l'appareil soient uniformes. S'assurer que le tuyau d'eau n'est pas déformé et que le cordon d'alimentation se trouve sur le dessus du réfrigérateur.

**REMARQUE :** Si le cordon d'alimentation se trouve derrière le réfrigérateur, on ne pourra pas l'installer correctement.

3. S'assurer que la cale d'installation affleure avec les placards adjacents.

**REMARQUE :** Pour réussir une installation en affleurement, il est essentiel de respecter une profondeur de  $\frac{3}{4}$ " (1,9 cm) entre l'avant du placard adjacent et le réfrigérateur.



A. Placard ou mur adjacent

B. Cale d'installation

C. Avant du réfrigérateur

## Réglage de l'aplomb et alignement du réfrigérateur

### ⚠️ AVERTISSEMENT



#### Risque de basculement

Le réfrigérateur est lourd au sommet et bascule facilement lorsqu'il n'est pas complètement installé.

Garder les portes fermées avec un ruban adhésif jusqu'à l'installation complète du réfrigérateur.

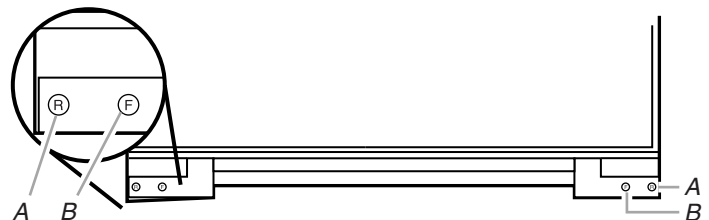
Utiliser deux ou plus de personnes pour déplacer et installer le réfrigérateur.

Le non-respect de ces instructions peut causer un décès ou une blessure grave.

**IMPORTANT :** Les quatre roulettes doivent toucher le plancher pour supporter et stabiliser le poids total du réfrigérateur. Les roulettes ne sont utilisées que pour le déplacement du réfrigérateur, et non pas pour un soutien permanent.

Après avoir déplacé le réfrigérateur jusqu'à sa position de service finale :

1. Utiliser une clé à douille de  $\frac{5}{16}$ " pour tourner les boulons de réglage de l'aplomb dans le sens horaire et allonger les pieds (voir illustration). Les roulettes ne doivent plus être en contact avec le plancher.

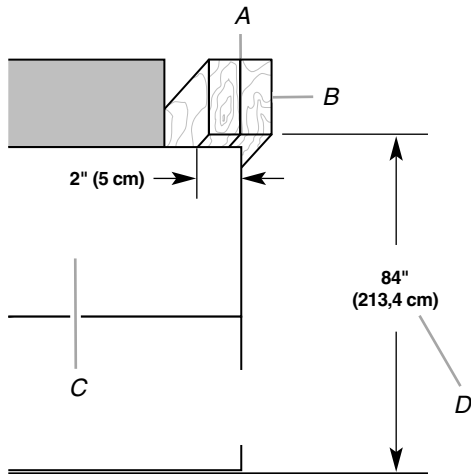


A. Boulon de réglage de l'aplomb (arrière)

B. Boulon de réglage de l'aplomb (avant)

- Ajuster les pieds de nivellement et établir l'aplomb du réfrigérateur de gauche à droite et avant/arrière de façon à ce qu'il soit horizontal et aligné avec les placards.
- Régler les pieds de nivellement jusqu'à ce que le haut du réfrigérateur soit en contact avec le bas du soffite plein ou le bas des planches anti-basculement le cas échéant. Ne pas écraser le couvercle du compresseur.

**IMPORTANT :** Ajuster progressivement pour éviter d'endommager la garniture du placard et causer des problèmes d'alignement de la porte ou d'insertion de la grille supérieure. Pour éviter d'endommager le placard ou les pieds de nivellement, ne pas appliquer sur les boulons un couple supérieur à 50 lb.po (5,65 Nm). Les pieds de nivellement peuvent être abaissés à un maximum de 1 1/4" (3,18 cm) au-dessous des roulettes.



- A. Deux planches de 2" x 4" x 32" (5 cm x 10 cm x 81 cm)  
 B. Fixer aux poteaux avec six vis n°8 x 3" (7,6 cm)  
 C. Couvercle du compresseur  
 D. Distance entre le bas des planches anti-basculement et le plancher

- Après avoir établi l'aplomb du réfrigérateur, utiliser une rive de niveau ou placer un niveau de 4 pi de l'avant du réfrigérateur jusqu'aux meubles pour vérifier que le réfrigérateur est toujours en affleurement.

## Installation du réfrigérateur et des panneaux

**IMPORTANT :** Jenn-Air n'est pas responsable des opérations de dépose et d'installation de moulures ou panneaux décoratifs en bois qui entraveraient l'accès au réfrigérateur lors d'une intervention d'entretien ou de réparation.

### Installation du panneau de remplissage de la grille supérieure (installation standard uniquement)

**IMPORTANT :** Le panneau de la grille est suffisamment haut pour permettre la circulation d'air nécessaire au bon rendement du réfrigérateur. Le panneau de remplissage de la grille supérieure dissimule le couvercle du compartiment supérieur, derrière la grille supérieure. Si l'utilisateur choisit de modifier les dimensions recommandées pour le panneau de la grille, le rendement de l'appareil peut être compromis.

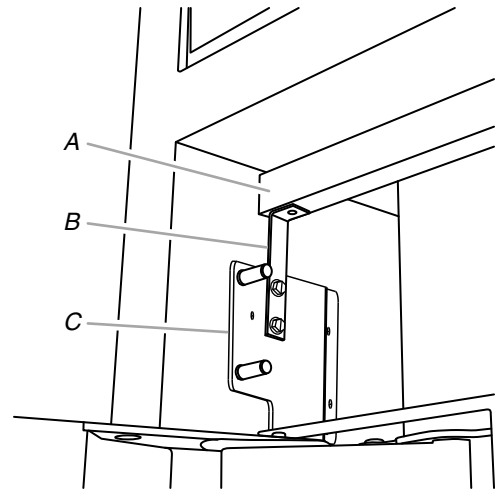
#### Modèles avec panneaux de bois personnalisés

- Dans le panneau de remplissage en bois personnalisé (1" x largeur du panneau de la grille), percer un trou à 1 1/16" de chaque côté.

**REMARQUE :** S'assurer que le trou est bien centré dans le morceau de bois de 1" d'épaisseur.

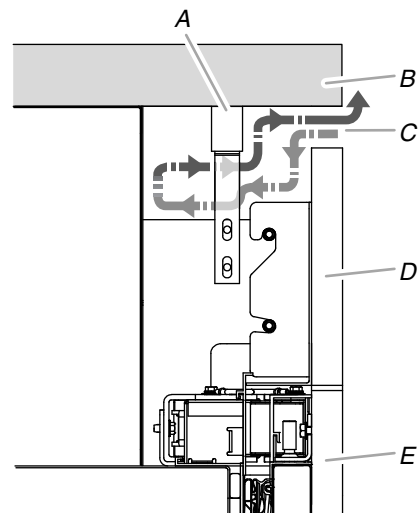
- À l'aide des vis à tête hexagonale fendue (fournies avec le réfrigérateur), fixer un support en "L" à chaque extrémité du panneau de remplissage en bois.

- À l'aide des vis sans pointe à tête hexagonale (fournies avec le réfrigérateur), fixer les supports en "L" aux platines de montage de la grille supérieure.
- Ajuster les supports en "L" de manière à ce que le panneau de remplissage en bois affleure le fond du soffite. Serrer complètement les vis.



- A. Panneau de remplissage de la grille supérieure  
 B. Support en "L"  
 C. Platine de montage de la grille

#### Vue latérale



- A. Panneau de remplissage de la grille supérieure  
 B. Soffite  
 C. Circulation d'air  
 D. Panneau de la grille  
 E. Panneau de porte

### Modèles en acier inoxydable avec panneaux fournis

## ⚠ AVERTISSEMENT

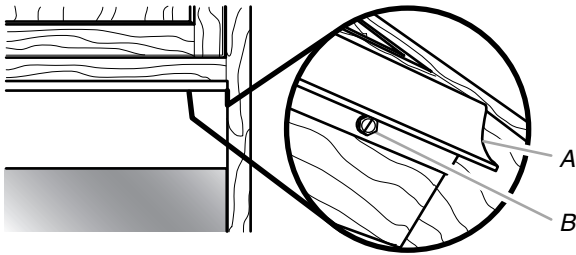
#### Risque du poids excessif

Utiliser deux personnes ou plus pour déplacer et installer les panneaux.

Le non-respect de cette instruction peut causer une blessure au dos ou d'autre blessure.

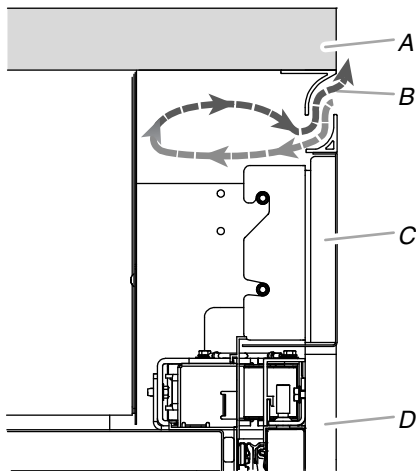
- Aligner l'ouïe de la grille supérieure (fournie dans l'ensemble de porte) sur le bord inférieur du soffite. L'utiliser comme gabarit et marquer les points de perçage des trous.

- À l'aide des vis à tête hexagonale fendue (fournies avec le réfrigérateur), fixer l'ouïe de la grille supérieure au soffite.



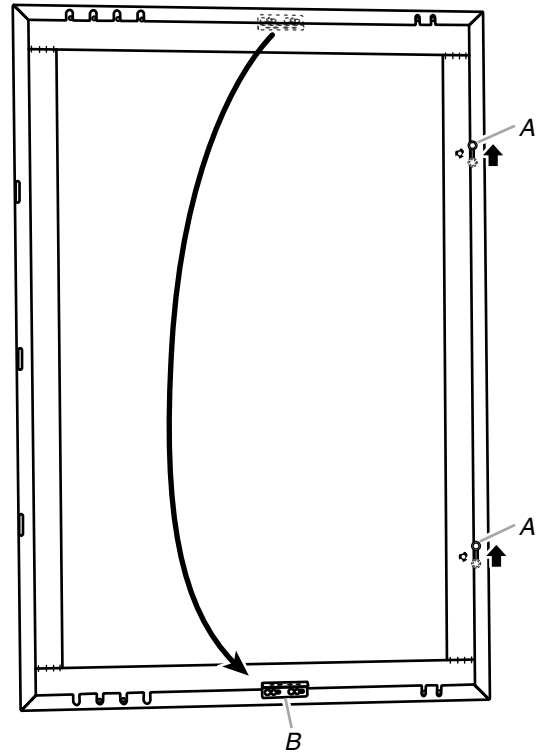
A. Ouïe de la grille supérieure  
B. Vis à tête hexagonale fendue

#### Vue latérale



A. Soffite  
B. Circulation d'air  
C. Panneau de la grille  
D. Panneau de porte

- En utilisant la cale d'installation comme guide de profondeur, fixer les rondelles à épaulement et les vis à tête hexagonale et à bout pointu dans les trous pré-perçés marqués d'un "L" bleu.



A. Placer les rondelles à épaulement du trou R au trou L.  
B. Déplacer la bride de montage.

- Retirer la pellicule du panneau de porte uniquement au niveau des supports et des rondelles à épaulement. Ne pas retirer complètement la pellicule avant d'avoir terminé l'installation.

### Ensemble de panneaux Jenn-Air en acier inoxydable (uniquement)

**IMPORTANT :** Le support de montage est préinstallé sur les panneaux fournis dans les ensembles de panneaux - les panneaux sont donc prêts à l'installation.

#### Ensemble de panneaux de porte pour modèle avec porte à battant simple de 36" (uniquement) -

Ces panneaux sont conçus pour des portes de réfrigérateur avec les charnières montées sur le côté droit. Si l'on souhaite inverser le sens d'ouverture de la porte, la position du support de montage et des rondelles à épaulement des panneaux de porte doit être modifiée.

#### Pour adapter le panneau de porte à une porte avec ouverture vers la gauche :

- Retirer la bride de montage d'une extrémité du panneau de porte et la réinstaller sur l'extrémité opposée du panneau, dans les trous pré-perçés.

**REMARQUE :** L'extrémité du support de montage se trouve désormais au sommet du panneau de porte.

- Retirer les vis à tête hexagonale et à bout pointu et les rondelles à épaulement des trous marqués d'un "R" rouge.

### Panneaux en bois personnalisés : panneaux pré-perçés

**IMPORTANT :** Le gabarit de panneau personnalisé livré avec le réfrigérateur est utilisable pour une installation avec un retrait de  $\frac{3}{8}$ " (0,95 cm) ou  $\frac{1}{8}$ " (0,32 cm).

- Les gabarits de perçage ne servent que pour les panneaux décoratifs en bois personnalisés.
- Les gabarits de perçage ont deux faces.
- Les trous de perçage sont préalablement percés dans le gabarit.

- Sur le gabarit, rechercher le schéma correspondant au réfrigérateur. Ensuite, respecter les lettres et les flèches de couleur pour placer correctement le gabarit de perçage à l'arrière des panneaux.

**REMARQUE :** Vérifier le sens des flèches pour déterminer les trous à marquer lorsque le gabarit est aligné avec le haut du panneau et lorsqu'il est aligné avec le bas du panneau.

- Percer des avant-trous dans les rails en bois au bord des panneaux des portes, du tiroir et de la grille supérieure.

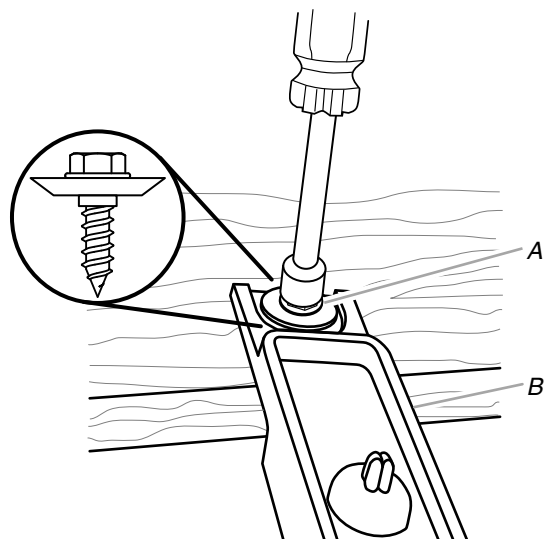


## Panneaux en bois personnalisés : préparation des panneaux

### Panneau de porte

**IMPORTANT :** Cette étape est terminée sur les ensembles de panneaux en acier inoxydable Jenn-Air.

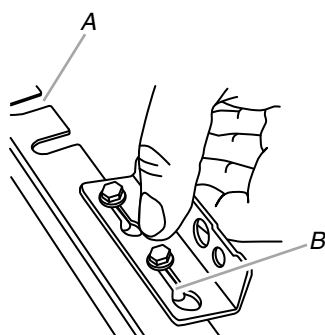
1. Placer les panneaux sur une surface dure et plane, face avant en dessous.
2. Rechercher les 2 avant-trous du côté de la poignée du panneau de porte.
3. En utilisant la cale d'installation comme guide de profondeur, fixer une rondelle à épaulement avec une vis pointue à tête hexagonale (toutes deux fournies avec le réfrigérateur) dans le panneau de porte pré-percé (2 par porte).



A. Rondelle à épaulement et vis pointue à tête hexagonale  
B. Cale d'installation

4. Pour le support de montage, insérer les vis pointues à tête hexagonale (fournies avec le réfrigérateur) dans les trous en haut des panneaux de porte pré-percés.

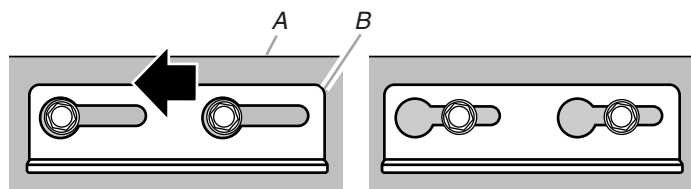
**REMARQUE :** Pour fixer le support au sommet du panneau de porte, il est essentiel d'utiliser la vis de  $\frac{5}{8}$ " , c'est-à-dire la plus longue des vis fournies.



A. Trou en U  
B. Fente

5. Fixer un support supérieur de panneau au bord supérieur de chaque panneau de porte en plaçant le côté large des fentes en trou de serrure sur les vis et en faisant glisser le support de sorte que les vis soient bien centrées dans les fentes.

**REMARQUE :** Commencer par les vis situées au centre des encoches tel qu'illustré, puis déplacer le panneau de porte selon le besoin pour l'alignement.

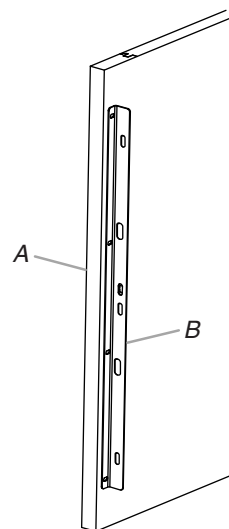


A. Panneau de porte  
B. Support supérieur du panneau

### Panneau de tiroir

**IMPORTANT :** Cette étape est terminée sur les ensembles de panneaux en acier inoxydable Jenn-Air.

1. À l'aide des vis à tête plate Phillips (fournies avec le réfrigérateur), fixer un support pour panneau de tiroir de chaque côté du panneau du tiroir, tel qu'illustré.



A. Panneau de tiroir  
B. Support de montage du panneau de tiroir

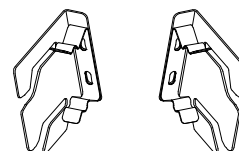
### Panneau de la grille supérieure

**IMPORTANT :** Cette étape est terminée sur les ensembles de panneaux en acier inoxydable Jenn-Air.

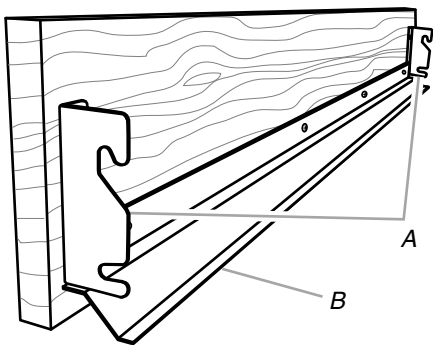
1. À l'aide des vis à tête hexagonale fendue (fournies avec le réfrigérateur), fixer un support de montage de chaque côté du panneau de la grille supérieure.

**IMPORTANT :** Voir la section "Pièces fournies" pour choisir les supports à utiliser pour l'installation.

- Utiliser les supports de grille totalement intégrée pour une installation totalement intégrée avec une grille de pleine hauteur.



- Utiliser les supports de grille standard pour une installation avec une grille intégrée standard affleurante, comme illustré.



A. Supports de grille supérieure  
B. Garniture de grille blanche (collée à la porte du réfrigérateur)

2. À l'aide des vis à tête ronde (fournies avec le réfrigérateur), fixer la garniture de la grille au bas du panneau de la grille.

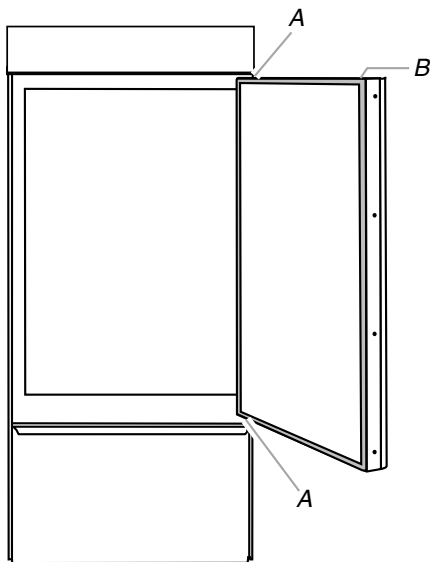
**REMARQUE :** La garniture de la grille est déjà installée sur les ensembles de panneaux.

### Dépose des garnitures

1. Débarrasser les portes du réfrigérateur et du congélateur de leurs matériaux et ruban adhésif de maintien.
2. Ouvrir les portes du réfrigérateur et du congélateur.
3. Retirer les couvre-charnières du sommet et du bas de la porte pour dégager les trous des charnières.

#### REMARQUES :

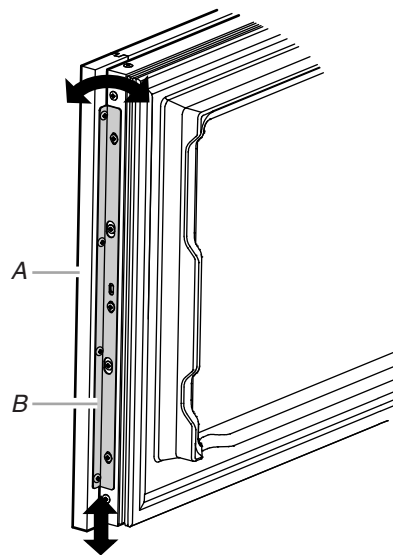
- Il n'est pas nécessaire de retirer les garnitures latérales des charnières car elles ne feront pas obstacle à la réalisation de l'installation.
- Laisser les garnitures du tiroir du congélateur en place pour l'installation.



A. Couvre-charnières  
B. Cache de la tige de réglage de la porte

### Installation du panneau du tiroir

1. Aligner les fentes des supports du panneau de porte, situées de chaque côté du panneau du tiroir, sur les trous qui traversent la garniture du tiroir jusqu'à l'intérieur du tiroir.
2. À l'aide de vis à tête plate Phillips (fournies avec le réfrigérateur), fixer les supports au tiroir.
3. Faire bouger le panneau du tiroir de haut en bas et latéralement pour l'aligner. Ne pas serrer complètement les vis.

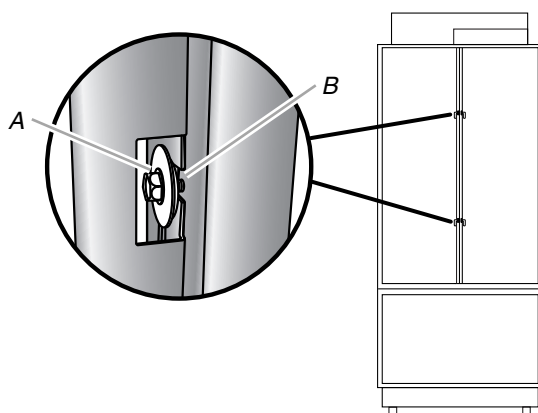


A. Panneau décoratif du tiroir  
B. Support du panneau de tiroir

### Installation des panneaux de porte

**IMPORTANT :** Utiliser l'emballage de mousse pour soulever et maintenir la ou les portes ouvertes lors de l'installation d'un panneau de porte.

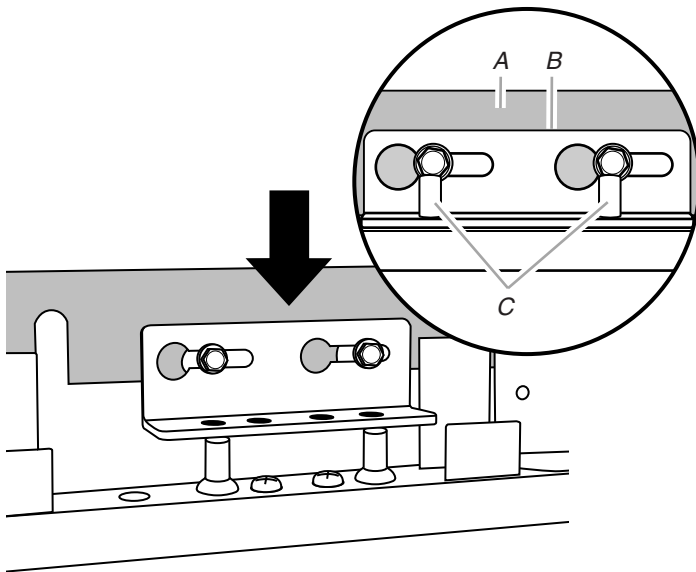
1. Aligner les deux rondelles à épaulement à l'arrière du panneau de porte avec les fentes en "J" sur le côté de la porte du réfrigérateur. Faire coulisser le panneau sur la porte.



A. Rondelle à épaulement et vis pointue à tête hexagonale  
B. Fente en "J"

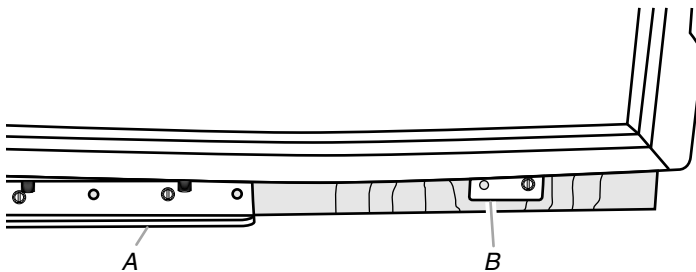


2. Abaisser le support du panneau sur les tiges de réglage au sommet de la porte.



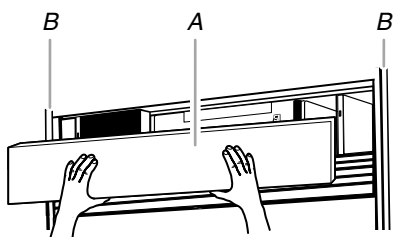
A. Panneau de porte  
B. Support supérieur du panneau  
C. Tiges de réglage

3. Pour les modèles avec porte à double battant, répéter les étapes 1 à 2 pour installer le deuxième panneau de porte.
4. À l'aide des vis à tête hexagonale fendue (fournies avec le réfrigérateur), fixer le support de montage (installé en usine), situé au bas des portes du réfrigérateur et du congélateur, aux panneaux de porte respectifs. Ne pas serrer complètement la vis.



A. Charnière inférieure  
B. Support de montage

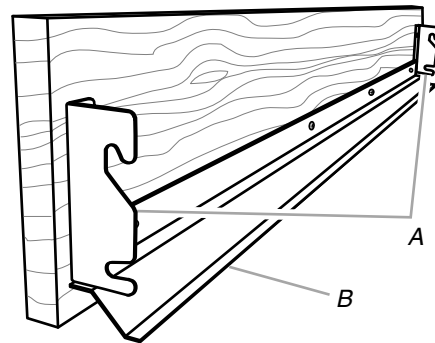
### Installation du panneau de la grille supérieure



A. Panneau de la grille supérieure  
B. Côtés des placards

### Installation d'une grille intégrée standard – Grille affleurante

1. Accrocher les supports de panneau sur les boulons de montage qui dépassent du sommet du réfrigérateur.

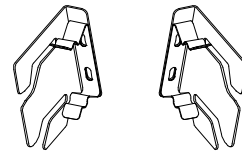


A. Supports de panneaux  
B. Garniture de grille

2. Tirer légèrement le panneau de grille vers le bas pour le bloquer en place.

### Installation d'une grille totalement intégrée – Grille de pleine hauteur

1. Aligner la bride de chaque côté du panneau de la grille supérieure avec les boulons de montage.

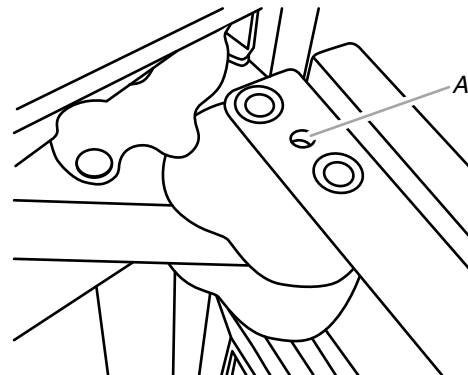


2. Pousser le panneau de la grille vers l'avant jusqu'à ce que le support s'emboîte.

### Réglage de l'ouverture de la porte

Il sera peut-être nécessaire de régler l'ouverture de la ou des porte(s). S'assurer que la/les porte(s) peut/peuvent s'ouvrir librement. Si la largeur d'ouverture de la/des porte(s) est trop grande, installer la goupille de butée de porte (fournie avec le réfrigérateur).

1. Maintenir la porte à une position inférieure à 90°.
2. Insérer la goupille de butée de porte dans la charnière supérieure, au trou indiqué.
3. À l'aide d'une clé hexagonale de 5/32", serrer la goupille de butée de la porte.



A. Trou pour goupille de butée

## Achever l'installation des panneaux

- Utiliser la cale d'installation pour mesurer l'espace entre les panneaux et les meubles adjacents.
  - Les panneaux en bois décoratifs personnalisés peuvent être réalisés avec un espace de  $\frac{3}{8}$ " (0,95 cm) ou  $\frac{1}{8}$ " (0,32 cm) entre le panneau et les placards, et un espace de  $\frac{1}{8}$ " (0,32 cm) entre la/les porte(s) du congélateur et celle(s) du réfrigérateur, et entre la/les porte(s) et la grille supérieure.
  - Tous les ensembles de panneaux achetés nécessitent un dégagement de  $\frac{3}{8}$ " (0,95 cm) entre chaque panneau et les meubles. Entre la porte du congélateur et celle du réfrigérateur et entre les portes et la grille supérieure, un dégagement de  $\frac{1}{8}$ " (0,32 cm) doit être respecté.

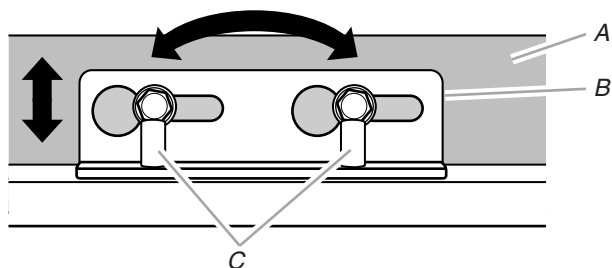


A. Placard adjacent  
B. Cale d'installation  
C. Panneau sur porte

- Ajuster le panneau pour obtenir l'espacement nécessaire ou pour l'alignement.
 

**IMPORTANT :** Si des ajustements sont nécessaires, ajuster le panneau et non la porte. Ajuster le panneau de gauche à droite dans le support de montage avant d'utiliser les tiges pour ajuster le panneau de haut en bas ou en diagonale.

  - Faire glisser le panneau d'un côté à l'autre dans la fente en trou de serrure.
  - Utiliser une clé hexagonale de  $\frac{5}{32}$ " pour élever ou abaisser les tiges de réglage afin de permettre au panneau de porte de pivoter.

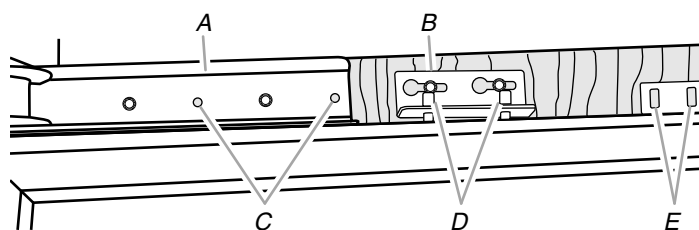


A. Panneau de porte  
B. Support supérieur du panneau  
C. Tiges de réglage

- Percer au préalable des avant-trous au moyen d'un foret de  $\frac{3}{32}$ " dans le ou les panneau(x) de porte en passant par les trous des charnières inférieure(s) et supérieure(s).

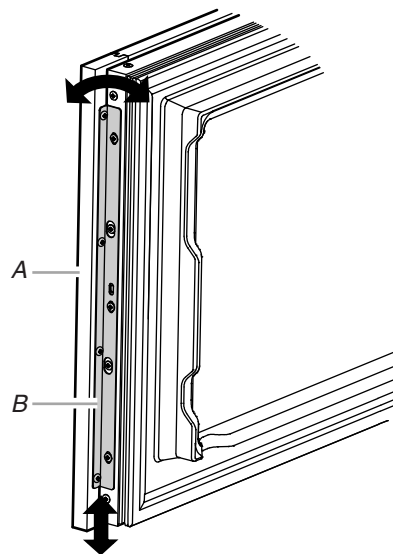
- À l'aide des vis à tête hexagonale fendue (fournies avec le réfrigérateur), fixer les charnières supérieures et inférieures aux panneaux de porte. Bien serrer toutes les vis du panneau de porte.

**REMARQUE :** Pour les modèles de 36", un support supplémentaire sur la partie supérieure sert à fixer le panneau à la porte. Insérer les vis dans le support sur le panneau de porte.



A. Charnière supérieure  
B. Support supérieur du panneau  
C. Trous pour les vis  
D. Tiges de réglage de porte  
E. Trous pour les vis (modèles de 36" uniquement)

- À l'aide des vis à tête hexagonale fendue (fournies avec le réfrigérateur), fixer les panneaux de porte aux garnitures de la porte du côté charnière. Utiliser ces vis pour chaque côté.
- À l'aide de vis à tête plate Phillips (fournies avec le réfrigérateur), installer la garniture de porte du côté poignée.
- Serrer complètement les vis fixant les supports de montage, situés au bas des portes, aux panneaux.
- Réinstaller la garniture supérieure de porte et le couvre-charnière.
- Emboîter le cache de la tige de réglage de porte (fourni avec le réfrigérateur).
- Si nécessaire, ajuster le panneau du tiroir pour l'aligner et bien serrer toutes les vis du panneau.



A. Panneau décoratif du tiroir  
B. Support du panneau de tiroir

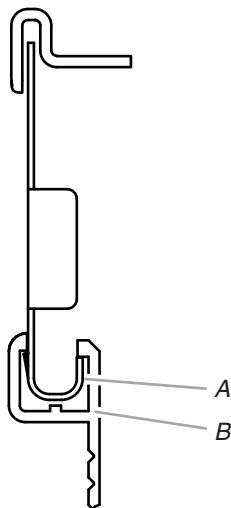
## Installation de la grille de la base

La grille de la base comporte deux pièces pour permettre un ajustement personnalisé : la grille de la base elle-même et la plinthe. La plinthe peut être ajoutée à la grille de la base pour la prolonger jusqu'au plancher.

1. Pour voir si la plinthe est nécessaire, placer la grille de la base en position. Ne pas fixer la grille de la base au réfrigérateur. Mesurer la distance entre le fond de la grille de la base et le plancher. L'espace doit mesurer au moins  $\frac{1}{2}$ " (1,27 cm) pour permettre l'ajout de la plinthe.

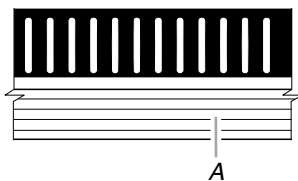
**REMARQUE :** Si l'espace mesure moins de  $\frac{1}{2}$ " (1,27 cm), omettre les étapes 3 et 4 des instructions et installer uniquement la grille de la base.

2. Enlever la pellicule de protection de la grille de la base.
3. Emboîter la plinthe sur la grille de la base.



A. Grille de la base  
B. Plinthe

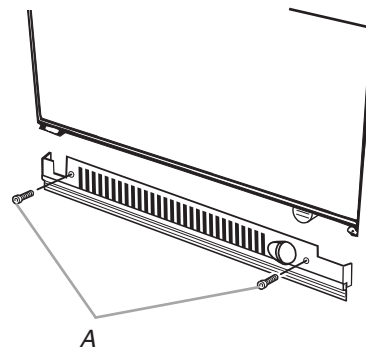
4. Entailler la plinthe en marquant la rainure en V appropriée avec un couteau utilitaire. Briser la plinthe au niveau de la ligne d'entaille..



A. Rainure en "V"

5. À l'aide des 2 vis, fixer la grille de la base au réfrigérateur, tel qu'illustré.

**REMARQUE :** Insérer d'abord la vis du côté droit.



A. Vis (2)

## Achever l'installation

1. Tourner le robinet de la canalisation d'eau à la position "Open" (ouvert).
2. Tourner le commutateur du réfrigérateur à la position ON (marche). Voir "Interrupteur d'alimentation ON/OFF" dans le Guide d'utilisation et d'entretien pour plus d'instructions. Attendre quelques minutes. Vérifier les raccords de la canalisation d'eau pour confirmer l'absence de fuites.
3. Retirer toutes les boîtes, tous les paquets de pièces et tous les matériaux d'emballage de l'intérieur du réfrigérateur. Voir la section "Nettoyage" dans le Guide d'utilisation et d'entretien pour les instructions. Ôter la pellicule et le carton de la grille et des portes ou du châssis de la porte, selon le modèle.
4. Installer les clayettes/tablettes et bacs dans les compartiments de réfrigération et de congélation.
5. Les commandes sont pré-réglées à l'usine au réglage moyen. S'assurer que le compresseur fonctionne bien et que tous les témoins sont en bon état de marche.
6. Purger le circuit d'eau avant l'utilisation. Voir "Préparation du circuit d'eau".

Pour l'utilisation la plus efficace de votre nouveau réfrigérateur encastré, lire le Guide d'utilisation et d'entretien. Conserver les Instructions d'installation et le Guide d'utilisation et d'entretien à proximité du réfrigérateur encastré pour pouvoir les consulter facilement.

