



User Guide

Built-In Electric Single and Double Ovens

THANK YOU for purchasing this high-quality product. Register your built-in oven at www.jennair.com. In Canada, register your built-in oven at www.jennair.ca.

For future reference, please make a note of your product model and serial numbers. These can be found on the label located on the oven frame behind the top right side of the oven door.

Model Number _____ Serial Number _____

Table of Contents

BUILT-IN OVEN SAFETY	2
PARTS AND FEATURES	3
FEATURE GUIDE	4
Touch Panel.....	5
Display	5
Display Navigation	5
Menu Demonstrations.....	5
Kitchen Timer	7
Tones/Sounds	7
Tools	7
Button Lock.....	7
Oven Temperature Control.....	8
Sabbath Mode.....	8
OVEN USE	9
Wi-Fi Connectivity	9
Aluminum Foil.....	9
Position Racks and Bakeware	9
Roll-Out Extension Rack.....	10
Bakeware.....	11
Oven Vents	11
Preheating and Oven Temperature	11
Baking and Roasting.....	12
Broiling.....	12
Convection	12
Convection Bake.....	12
Convection Roast.....	13
Convection Broil.....	13
Convert Recipe	13
Proofing Bread	13
Temperature Probe.....	13
My Creations	14
Timed Cooking.....	15
Culinary Center.....	16
OVEN CARE	17
Self-Cleaning Cycle.....	17
General Cleaning.....	17
Oven Lights	18
Oven Door	18
TROUBLESHOOTING	19
ACCESSORIES	20
WARRANTY	21

Built-In Oven Safety

Your safety and the safety of others are very important.

We have provided many important safety messages in this manual and on your appliance. Always read and obey all safety messages.



This is the safety alert symbol.

This symbol alerts you to potential hazards that can kill or hurt you and others.

All safety messages will follow the safety alert symbol and either the word "DANGER" or "WARNING."

These words mean:

⚠ DANGER

You can be killed or seriously injured if you don't immediately follow instructions.

⚠ WARNING

You can be killed or seriously injured if you don't follow instructions.

All safety messages will tell you what the potential hazard is, tell you how to reduce the chance of injury, and tell you what can happen if the instructions are not followed.

IMPORTANT SAFETY INSTRUCTIONS

WARNING: To reduce the risk of fire, electrical shock, injury to persons, or damage when using the oven, follow basic precautions, including the following:

- Proper Installation – Be sure the oven is properly installed and grounded by a qualified technician.
- Never Use the Oven for Warming or Heating the Room.
- Do Not Leave Children Alone – Children should not be left alone or unattended in area where oven is in use. They should never be allowed to sit or stand on any part of the oven.
- Wear Proper Apparel – Loose-fitting or hanging garments should never be worn while using the oven.
- User Servicing – Do not repair or replace any part of the oven unless specifically recommended in the manual. All other servicing should be referred to a qualified technician.
- Storage in Oven – Flammable materials should not be stored in an oven.
- Do Not Use Water on Grease Fires – Smother fire or flame or use dry chemical or foam-type extinguisher.
- Use Only Dry Potholders – Moist or damp potholders on hot surfaces may result in burns from steam. Do not let potholder touch hot heating elements. Do not use a towel or other bulky cloth.
- Use Care When Opening Door – Let hot air or steam escape before removing or replacing food.
- Do Not Heat Unopened Food Containers – Build-up of pressure may cause container to burst and result in injury.

- Keep Oven Vent Ducts Unobstructed.
- Placement of Oven Racks – Always place oven racks in desired location while oven is cool. If rack must be moved while oven is hot, do not let potholder contact hot heating element in oven.
- DO NOT TOUCH HEATING ELEMENTS OR INTERIOR SURFACES OF OVEN – Heating elements may be hot even though they are dark in color. Interior surfaces of an oven become hot enough to cause burns. During and after use, do not touch, or let clothing or other flammable materials contact heating elements or interior surfaces of oven until they have had sufficient time to cool. Other surfaces of the oven may become hot enough to cause burns – among these surfaces are oven vent openings and surfaces near these openings, oven doors, and windows of oven doors.

For self-cleaning ovens:

- Do Not Clean Door Gasket – The door gasket is essential for a good seal. Care should be taken not to rub, damage, or move the gasket.
- Do Not Use Oven Cleaners – No commercial oven cleaner or oven liner protective coating of any kind should be used in or around any part of the oven.
- Clean Only Parts Listed in Manual.
- Before Self-Cleaning the Oven – Remove broiler pan and other utensils.

SAVE THESE INSTRUCTIONS

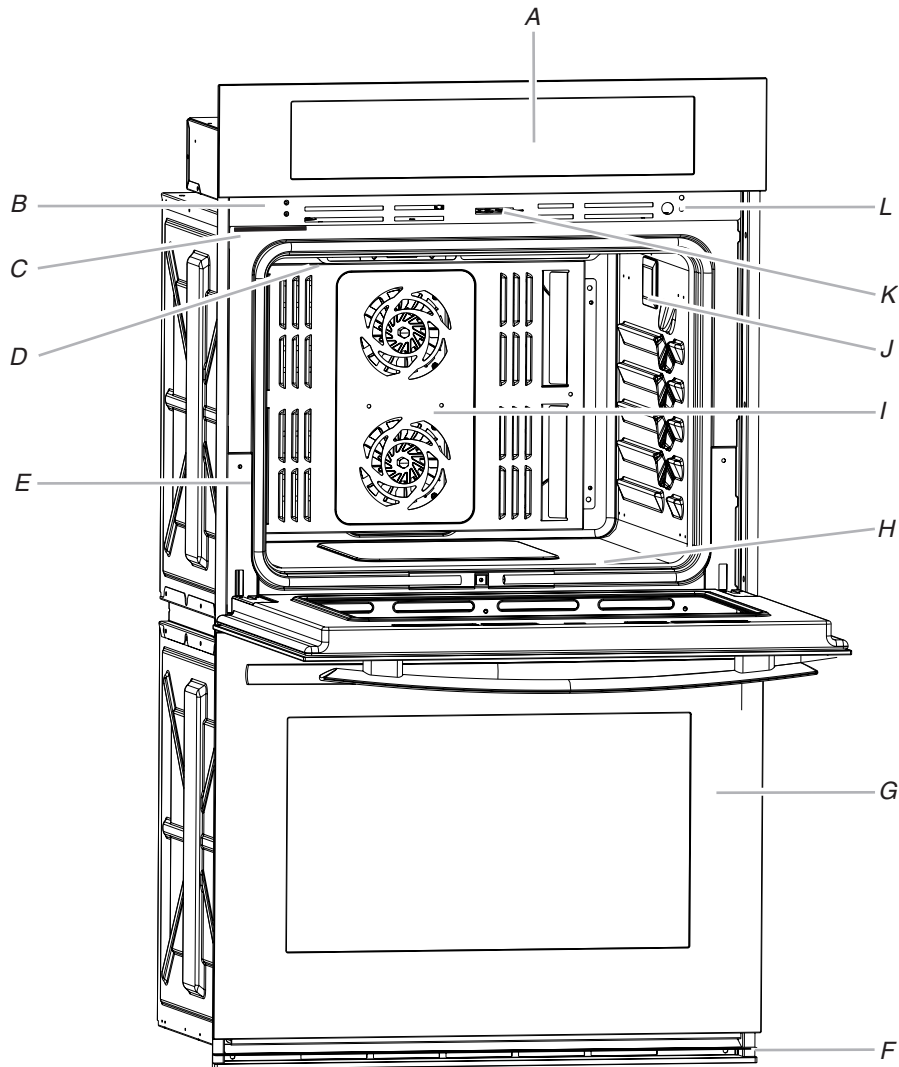
State of California Proposition 65 Warnings:

WARNING: This product contains one or more chemicals known to the State of California to cause cancer.

WARNING: This product contains one or more chemicals known to the State of California to cause birth defects or other reproductive harm.

Parts and Features

This manual covers several models. Your model may have some or all of the items listed. Refer to this manual or the Frequently Asked Questions (FAQs) section of our website at www.jennair.com for more detailed instructions. In Canada, refer to the Customer Service Section at www.jennair.ca.



- A. Electronic oven control
- B. Oven vent
- C. Model and serial number plate
(on center vent under control panel)
- D. Broil elements
- E. Gasket
- F. Bottom vent

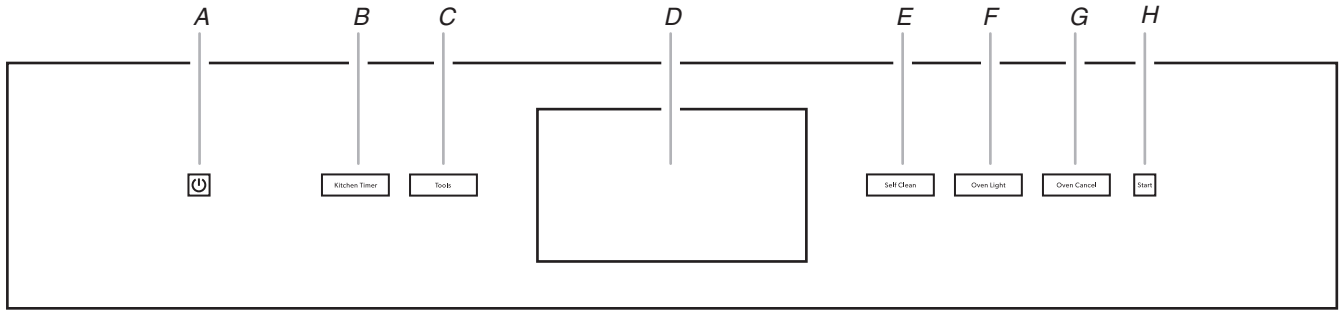
- G. Lower oven (on double-oven models)
- H. Hidden bake element
- I. Twin convection elements and fans
- J. Oven lights (left side, not shown)
- K. Oven door lock latch
- L. Oven light switch

- Parts and Features not shown**
- Temperature probe jack
 - Temperature probe
 - Racks

Feature Guide

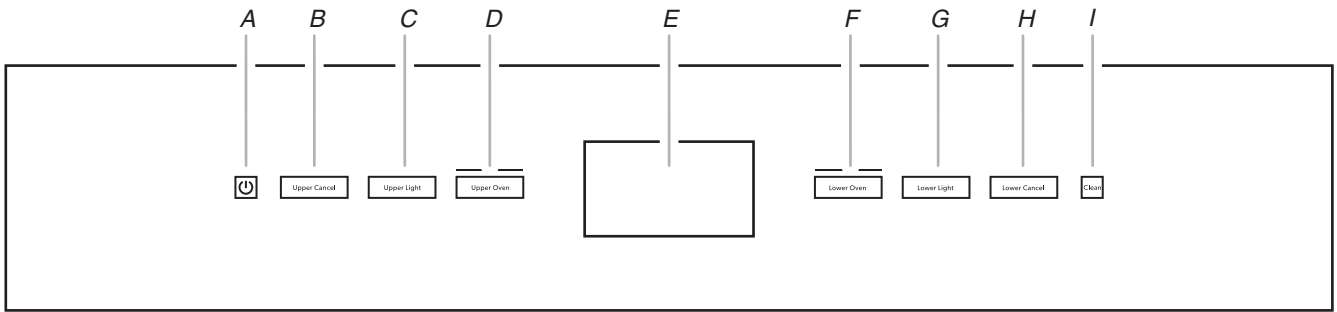
This manual covers several models. Your model may have some or all of the items listed. Refer to this manual or the Frequently Asked Questions (FAQs) section of our website at www.jennair.com for more detailed instructions. In Canada, refer to the Customer Service Section at www.jennair.ca.

Single Oven:




- A. Power
- B. Kitchen timer
- C. Tools
- D. Display
- E. Self clean
- F. Oven light
- G. Oven cancel
- H. Start

Double Oven:



- A. Power
- B. Upper cancel
- C. Upper light
- D. Upper oven
- E. Display
- F. Lower oven
- G. Lower light
- H. Lower cancel
- I. Clean

Keypad	Feature	Instructions
POWER 	Power	Touch the Power keypad to turn the oven display on and off.
OVEN LIGHT UPPER LIGHT LOWER LIGHT	Oven cavity light	The desired oven light is controlled by a touch keypad on the oven control panel. While the oven door is closed, touch the desired Oven Light keypad to turn the oven lights on and off. When the oven door is opened, the oven lights will automatically come on for the corresponding oven.
KITCHEN TIMER (on some models)	Timer	The Kitchen Timer can be set in hours, minutes, or seconds up to 23 hours, 59 minutes, and 59 seconds. The Kitchen Timer does not start or stop the oven(s).
OVEN CANCEL UPPER CANCEL LOWER CANCEL (on some models)	Oven function	The Lower Cancel, Upper Cancel, and Cancel keypads stop their respective oven functions, except for the Clock, Kitchen Timer, and Button Lock. The oven cooling fan(s) may continue to operate even after an oven function has been canceled or completed, depending on the oven temperature.
START (on some models)	Mode Start	The Start keypad begins some oven functions. If Start is not touched within 2 minutes after touching a keypad, the function is canceled and the time of day is displayed.
CLEAN SELF CLEAN (on some models)	Self-Cleaning cycle	See the "Self-Cleaning Cycle" section.
TOOLS (on some models)	Oven use function	The Tools keypad enables you to personalize the oven operation to suit your needs. See the "Tools" section.
UPPER OVEN LOWER OVEN (on some models)	Oven selection	The Upper and Lower Oven keypads enable you to select which oven you want to use.

Touch Panel

The touch panel houses the control menu and function controls. The touch keypads are very sensitive and require only a light touch to activate.

For more information about the individual controls, see their respective sections in this manual.

Welcome Guide

This appears on your display the first time the oven is powered up. The Welcome Guide allows you to set up your new oven.

After every selection, a tone will sound. Touch BACK at any time to return to the previous screen.

1. Select your language.
2. A new welcome screen will appear. Read it and touch NEXT.
3. Set the clock and AM, PM, or 24-hour clock (military time). Touch NEXT.
4. Select AUTO SYNC (turn on) or DO NOT ADJUST (turn off) to set the daylight savings time. Touch NEXT.
5. Set the current date. Touch NEXT.
6. Select FAHRENHEIT or CELSIUS to set the units of temperature. Touch NEXT.
7. Set the clock theme by selecting the desired theme. Touch NEXT, and then select the desired background. Touch SAVE.
NOTE: This is the background for the center touch display.
8. Select CONNECT to connect your appliance to Wi-Fi. Refer to the Wi-Fi connectivity manual for further information.

OR

Touch SKIP to skip this step and complete setup.

Display

The display is for both the menu and oven function controls. The touch panel allows you to scroll through the oven menus. The display is very sensitive and requires only a light touch to activate and control.

When an oven is in use, the display will show the clock, mode, oven temperature, kitchen timer, and oven timer, if set. If the oven timer is not set, you can set it from this screen.

After approximately 2 minutes of inactivity, the display will go into Sleep mode and the display will dim. When the oven is in operation, the display will remain bright.

During use, the display will show menus and the appropriate selections for the options being chosen.

Display Navigation

If the oven is off, touch the Power keypad to activate the menu. From the home screen, all automatic cooking programs can be activated, all manual cooking programs can be set, options can be adjusted, and instructions, preparation, and tips can be accessed.

Menu Demonstrations

! WARNING

Food Poisoning Hazard

Do not let food sit in oven more than one hour before or after cooking.

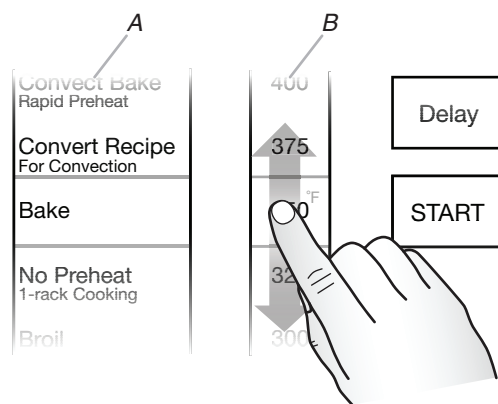
Doing so can result in food poisoning or sickness.

In double-oven models, touch the corresponding oven keypad to show the cooking modes and temperatures for the desired oven.

NOTE: A line will appear above the corresponding oven keypad.

In single-oven models, the display will show cooking modes and temperatures when the oven is turned on.

Bake Demonstration

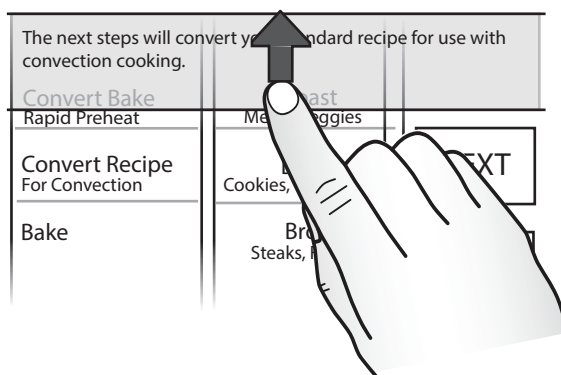


A. Modes column

B. Temperature column

1. In the Modes column, select BAKE.
2. In the Temperature column, select the desired temperature. The temperature must be between 170°F and 550°F (77°C and 288°C).
3. Touch START to begin preheating.

Drop-Down Message Demonstration



There are some menus that prompt a drop-down message to appear. Once the message is read, you can dismiss the menu by touching the directional arrow and swiping up.

Cook Time Demonstration (Optional)

NOTE: In some cooking modes, the user can set the cooking time while other modes have fixed times.

To set a cooking time, follow these instructions.

At any time, touch BACK to return to the previous screen. Touch CANCEL for the selected oven to cancel the current cycle and return to the main menu.

- To set a cook time, first start a cooking cycle.

NOTE: The Oven Timer is only visible once a cooking cycle has been activated.

- Touch OVEN TIMER. Set the cooking length.
- Touch START to begin the Oven Timer.

OR

Select the desired “When Timer Ends” oven action, and then touch START. The default action is Hold Temp.

Oven Timer

When Timer Ends:

Keep Warm Hold Temp Oven Off

03 03
02 02
01 01
00 HR 00 MIN 00 SEC
11 59
10 58
09 57

Back

- Keep Warm will reduce the oven temperature to 170°F (77°C) after the cook time ends.
- Hold Temp will keep the set oven temperature after the cook time ends.
- Oven Off will turn the oven off when the cook time ends.

Delay Start Demonstration (Optional)

- To set a delayed start and end time, select the desired cooking mode and temperature, and then touch DELAY.

NOTE: The cooking start time always begins on the nearest quarter hour (0:00, 0:15, 0:30, and 0:45). The cooking time includes the oven preheating time. Adjust the start and end times accordingly.

A

B

1:30 pm
1:15 pm
1:00 pm
Cooking starts at:
12:45 pm

2:30 pm
2:15 pm
2:00 pm
Cooking ends at:
1:45 pm
1:30 pm
1:15 pm
1:00 pm

Back

Set

Start Now

A. Start time column
B. End time column

- Select the desired cooking start time in the Start Time column. The oven cannot be delayed more than 11 hours and 45 minutes.

- Select the desired cooking end time in the End Time column. The cook time cannot be longer than 12 hours.

- Touch SET when done, or touch BACK to return to the main menu.

The oven will start preheating when the start time is reached. Once the end time is reached, the oven will go into Keep Warm mode by default.

OR

Touch START NOW to start the oven from the Delay screen. This will set the Oven Timer but will not delay the start time.

NOTE: Do not use Delay Start for items that require a preheated oven, such as cakes, cookies, and breads. If food is in the oven during preheat, it may become overcooked.

- To change a cooking mode or temperature while the oven is preheating or in a Delay Start, touch the Cooking Mode keypad, make the new selection, and then touch SET.
- At any time, touch CANCEL for the selected oven to cancel the current cycle and return to the main menu.

Cooking Modes

The previous steps can be used for the following cooking modes:

Mode	Temp. Range	Default Temp.
Convect Frozen Pizza	300°F–500°F (149°C–260°C)	375°F (191°C)
Convect Pastry	170°F–550°F (77°C–288°C)	325°F (163°C)
Convect Slow Roast 12 hrs	190°F–225°F (88°C–107°C)	200°F (93°C)
Convect Slow Roast 8 hrs	200°F–250°F (93°C–121°C)	225°F (107°C)
Convect Slow Roast 4 hrs	250°F–300°F (121°C–149°C)	275°F (135°C)
True Convect	170°F–550°F (77°C–288°C)	325°F (163°C)
Convect Roast	170°F–550°F (77°C–288°C)	350°F (177°C)
Convect Broil	450°F–550°F (232°C–288°C)	550°F (288°C)
Convect Bake	170°F–550°F (77°C–288°C)	325°F (163°C)
Convect Bake – Rapid Preheat	170°F–550°F (77°C–288°C)	325°F (163°C)
Bake	170°F–550°F (77°C–288°C)	350°F (177°C)
No Preheat 1-Rack Cooking	170°F–550°F (77°C–288°C)	350°F (177°C)
Broil	450°F–550°F (232°C–288°C)	550°F (288°C)
Keep Warm	150°F–200°F (66°C–93°C)	170°F (77°C)
Rapid Proof	110°F (43°C)	110°F (43°C)
Proof	100°F (38°C)	100°F (38°C)

NOTE: To use Delay Start for Convert Recipe, Probe Cook, or My Creations, follow the on-screen prompts until the Delay keypad appears. The previous steps can then be used.

Kitchen Timer

The Kitchen Timer can be set in hours, minutes, and seconds and counts down the set time.

NOTE: The Kitchen Timer does not start or stop the oven.

Tones/Sounds

Tones are audible signals, indicating the following:

- Valid keypad touch.
- Function has been entered.
- Oven is preheated.
- Invalid keypad touch.
- End of a cooking cycle.
- When timer reaches zero.
Includes using the Kitchen Timer for functions other than cooking.
- First oven element activation in a cooking mode.

Tools

The Tools keypad allows you access to functions and customization options within the Electronic Oven Control. These tools allow you to set the clock, change the oven temperature between Fahrenheit and Celsius, turn the audible signals and prompts on and off, adjust the oven calibration, change the language, and more. For more information on a setting, select it and touch the Tips keypad.

The Sabbath mode is also set using Tools.

Mode	Available Selections
Sabbath	<ul style="list-style-type: none"> ■ On ■ Off (default)
Demo Mode	<ul style="list-style-type: none"> ■ On ■ Off (default)
Temp Units	<ul style="list-style-type: none"> ■ Celsius* ■ Fahrenheit*
Language	<ul style="list-style-type: none"> ■ Français* ■ English*
Display On/Off	<ul style="list-style-type: none"> ■ Display Off ■ Display Dimmed (default)
Clock On/Off	<ul style="list-style-type: none"> ■ Clock Off ■ Clock On (default)
Brightness	<ul style="list-style-type: none"> ■ Max ■ High ■ Med (default) ■ Low ■ Dim
Sound	<ul style="list-style-type: none"> ■ Key Press (Max/High/Med (default)/Low/Off) ■ Timer & Alert (Max/High (default)/Med/Low/Off) ■ Power On & Off (Off/On (default))

Mode	Available Selections
Clock Theme	<ul style="list-style-type: none"> ■ Textures* ■ Celebration* ■ Culinary* ■ Clock Only* ■ Animation* ■ Spring* ■ Summer* ■ Fall* ■ Winter*
Time & Date	<ul style="list-style-type: none"> ■ Daylight Saving (Do not adjust/ Auto Sync)* ■ Clock Style (Digital/Analog (default)) ■ Set Clock ■ Set Date
Wireless Features	<ul style="list-style-type: none"> ■ Enable Wi-Fi
Self Clean	<ul style="list-style-type: none"> ■ Heavy 5 hr ■ Medium 4 hr (default) ■ Light 3 hr
Button Lock	<ul style="list-style-type: none"> ■ Lock
Number Entry	<ul style="list-style-type: none"> ■ Number pad ■ Scroll (default)
Probe	<ul style="list-style-type: none"> ■ Convection Roast ■ Convection Bake ■ Food Guide (default) ■ Bake
Temp Calibration	<ul style="list-style-type: none"> ■ +35°F to -35°F ■ +20°C to -20°C <p>NOTE: For double-oven models, upper and lower calibration are available.</p>
Touch Calibration	<ul style="list-style-type: none"> ■ Use to calibrate touch screen.
Service Info.	<ul style="list-style-type: none"> ■ Model Number, Serial Number, and contact information
Legal Info.	<ul style="list-style-type: none"> ■ License Information
Restore Defaults	<ul style="list-style-type: none"> ■ Restores Factory Defaults.

*The default for these settings is set at the Welcome screen.

Button Lock

The Button Lock shuts down the control panel keypads to avoid unintended use of the oven(s). The Button Lock will remain set after a power failure if it was set before the power failure occurs. When the control is locked, only the Power keypad will function. The Button Lock is preset unlocked but can be locked.

To Activate the Button Lock:

1. Touch TOOLS, and then select BUTTON LOCK.
2. Touch LOCK to activate the Button Lock mode.

NOTE: The touch screen will return to Idle mode and a control locked message will be displayed.

To Deactivate the Button Lock:

1. Touch the Power keypad, and then follow the on-screen directions.

NOTE: The oven will generate a random sequence of shapes that must be touched in the order prompted on the screen.

Oven Temperature Control

IMPORTANT: Do not use a thermometer to measure the oven temperature. Elements will cycle on and off as needed to maintain a consistent temperature but may run slightly hot or cool at any point in time due to this cycling. Opening the oven door will affect cycling of the elements and impact the temperature.

The oven provides accurate temperatures and has been thoroughly tested at the factory. However, it may cook faster or slower than your previous oven, causing baking or browning differences. If necessary, the temperature calibration can be adjusted in either Fahrenheit or Celsius.

On double ovens, the upper oven and the lower oven can each be calibrated independently.

A minus sign means the oven will be cooler by the displayed amount. The absence of a minus sign means the oven will be warmer by the displayed amount. Use the following chart as a guide.

NOTE: The oven display will continue to show the original set temperature and will not reflect the calibration offset. For example, if set to 350° (177°C) and calibrated to -20°, the display will continue to show 350° (177°C).

Adjustment °F (Automatic °C Change)	Cooks Food
10°F (6°C)	a little more
20°F (12°C)	moderately more
30°F (18°C)	much more
0°F (0°C)	default setting
-10°F (-6°C)	a little less
-20°F (-12°C)	moderately less
-30°F (-18°C)	much less

Sabbath Mode

The Sabbath mode sets the oven(s) to remain on in a bake setting until turned off. A timed Sabbath mode can also be set to keep the oven on for only part of the Sabbath.

When the Sabbath mode is set, the allowed keypads are the Power keypad and the Cancel keypads.

When the oven door is opened or closed, the oven light will not turn on or off and the heating elements will not turn on or off immediately.

If a power failure less than 1 second occurs when the Sabbath mode is set, the oven(s) will remain in Sabbath mode and continue cooking.

For a power failure that lasts longer than a second, the oven(s) will return to an idle state and Sabbath mode will no longer be active. For double ovens, the upper and lower oven temperatures and cook timers can be set independently. If a cook timer is set, the countdown will not appear. The timer will appear frozen at the set time.

NOTE: Be sure to turn off your smart phone before the Sabbath or holidays. If the phone is on and the oven control app installed, oven changes will be displayed on your phone.

To Enable:

1. Touch the Power keypad, and then touch TOOLS.
2. Select SABBATH, and then touch NEXT.
3. Touch ON, and then touch SETUP.
NOTE: The programmed status of the oven(s) will be displayed.
4. Touch CHANGE.
5. For single ovens, go to Step 6. For double ovens, select the desired oven and then touch NEXT.

6. Select the desired oven temperature and touch NEXT.
(Optional) Set Bake Time (00:00) and touch SET.

OR

Touch SKIP TIMER.

7. For single ovens, touch START. For double ovens, touch START to begin Sabbath mode or touch CHANGE to edit the current programming or to program the other oven.

To Disable:

Once activated, Sabbath mode can be deactivated on all cavities by touching the Power keypad.

For single ovens, Sabbath mode can also be deactivated by touching OVEN CANCEL.

For double ovens, if both ovens are running, touching CANCEL for one oven will turn off Sabbath mode for both ovens and will turn off the selected oven. The other oven will return to a regular Bake mode.

Delayed Sabbath Bake:

⚠ WARNING

Food Poisoning Hazard

Do not let food sit in oven more than one hour before or after cooking.

Doing so can result in food poisoning or sickness.

For double ovens, the upper and lower oven temperatures and cook timers can be set independently.

If a cook timer is set, the countdown will not appear. The timer will appear frozen at the set time.

To Enable:

1. Touch the Power keypad, and then touch TOOLS.
2. Select SABBATH, and then touch NEXT.
3. Touch ON, and then touch SETUP.
NOTE: The programmed status of the oven(s) will be displayed.
4. Touch CHANGE.
5. For single ovens, go to Step 6. For double ovens, select the desired oven, and then touch NEXT.
6. Select the desired oven temperature, and then touch NEXT.
Optional: Set Bake Time (00:00) and touch SET.

OR

Touch SKIP TIMER.

7. Touch DELAY and set the “Cooking Starts at” and “Cooking Ends at” times.
NOTE: If a bake time is set in the previous steps, the “Cooking Ends at” will be calculated based on the bake time. If the timer is not set, the Sabbath mode will continue until canceled.
8. Touch SET.

Once activated, Sabbath mode can be deactivated on all cavities by touching the Power keypad.

Change Temperature

The oven temperatures can be changed while running Sabbath mode by touching the -25°F (-5°C) or +25°F (+5°C). Touching these buttons will not result in any changes to the screen and no sound will play.

As an example, touching the +25°F (+5°C) button 3 times will result in an oven cavity temperature increase of +75°F (+15°C); however, the initial oven cavity set temperature will remain on the screen.

NOTE: On double-oven models, the oven cavity temperature may be set independently.

Oven Use

Odors and smoke are normal when the oven is used the first few times or when it is heavily soiled.

During oven use, the heating elements will not remain on but will cycle on and off throughout oven operation.

IMPORTANT: The health of some birds is extremely sensitive to the fumes given off. Exposure to the fumes may result in death to certain birds. Always move birds to another closed and well-ventilated room.

If the oven door is opened during a cooking mode and left open for approximately 60 seconds, the cooling fan will switch to a higher speed. You may experience higher noise during this time. When the oven door is closed, the fan will switch back to its lower speed after approximately 60 seconds.

Wi-Fi Connectivity

⚠ WARNING

Food Poisoning Hazard

Do not let food sit in oven more than one hour before or after cooking.

Doing so can result in food poisoning or sickness.

Your oven has built-in Wi-Fi connectivity. For it to work, you will have to help it join your home wireless network. For information about setting up the connectivity, turning it on and off, receiving important notifications, and taking advantage of available features, refer to the Oven Wi-Fi Connected Quick Start Guide that came with your appliance.

Once the setup process has been completed for the Wi-Fi, you will have access to features that will give you new freedom in cooking. Your available features may vary depending on firmware updates.

Viewing

- Cooking Timers
- Control Lock
- Kitchen Timers
- Meat Probe Status
- Remote Start Status

Control

- Turn Oven Off
- Adjust Kitchen Timer
- Adjust Oven Light
- Oven Control Lock
- Start Oven Controls
- Adjust Cooking Settings
- Culinary Center
- My Creations

Remote Notifications

Once the Wi-Fi connectivity has been established, you have the ability to receive status notifications via email and SMS/text. The notifications that can be received are:

- Oven Cycle Interruptions
- Preheat Complete
- Cook Timer Completion
- Cooking Temperature Change
- Pre-Heat Cooking Temperature Progress
- Meat Probe Temperature Change
- Meat Probe Temperature Reached
- Cooking Mode Change
- Control Lock Status Change
- Kitchen Timer Complete
- Kitchen Timer Change
- Self-Clean Complete
- Culinary Center Interruptions

Aluminum Foil

IMPORTANT: To avoid permanent damage to the oven bottom finish, do not line the oven bottom with any type of foil or liner.

- For best cooking results, do not cover entire rack with foil because air must be able to move freely.
- To catch spills, place foil on rack below dish. Make sure foil is at least 1/2" (13 mm) larger than the dish and that it is turned up at the edges.

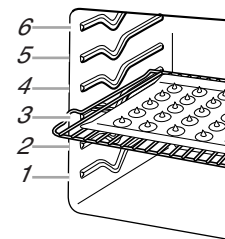
Position Racks and Bakeware

IMPORTANT: To avoid permanent damage to the porcelain finish, do not place food or bakeware directly on the oven door or bottom.

Racks

- Position racks before turning on the oven.
- Do not position racks with bakeware on them.
- Make sure racks are level.

To move a rack, pull it out to the stop position, raise the front edge, and lift out. Use the following illustration and charts as guides.



Rack And Bakeware Positions

Rack Positions – Upper and Lower Oven

NOTE: Unless indicated with a “ro” (roll-out rack), all suggested rack positions are for flat racks.

Broiling

Food	Rack Position
Most broiling	6

For hamburger patties to have a well-seared exterior and a rare interior, use a flat rack in position 6. Side one should cook for approximately 3 minutes. Side two should cook for approximately 3 to 4 minutes. Expect a moderate degree of smoke when broiling.

Traditional Cooking

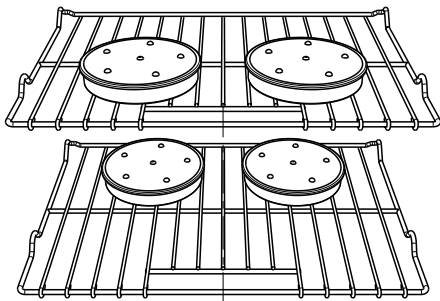
Food	Rack Position
Large roasts, turkeys, angel food cakes, bundt cakes, quick breads, pies	1 or 2
Yeast breads, casseroles, meat, poultry	2
Cookies, biscuits, muffins, cakes	2 or 3 when single-rack baking; 2 and 5 when multi-rack baking

Convection Cooking

Oven Setting	Number of Racks Used	Rack Position(s)
Rapid Preheat Bake	1	3
Rapid Preheat Convection Bake	1	3
Convection Bake	1	1, 2, or 3
Convection Bake	2	2 and 5
Convection Bake	3	1, 3, and 5
Convection Roast	1	1 or 2
Convection Broil	1	4, 5, or 6

Baking Cakes on Two Racks

For best results when baking cakes on two racks, use the Bake function and flat racks in positions 2 and 5. Place the cakes on the racks as shown. Keep at least 2" (5 cm) of space between the front of the racks and the front of the cakes.



Baking Cookies on Two Racks

For best results when baking cookies on two racks, use the Convection Bake function and place flat racks in positions 2 and 5.

Bakeware

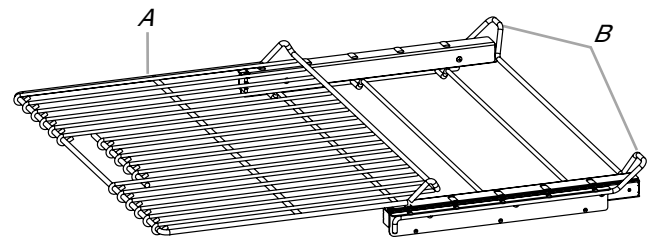
To cook food evenly, hot air must be able to circulate. For best results, allow 2" (5 cm) of space around bakeware and oven walls. Use the following chart as a guide.

Number of Pan(s)	Position on Rack
1	Center of rack
2	Side by side or slightly staggered
3 or 4	See the rack position graphics in this section for pan placement recommendations.

Roll-Out Extension Rack

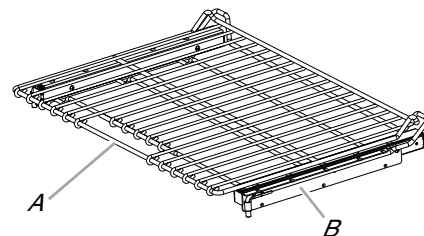
The roll-out extension rack allows easy access to position food in the oven and remove food from the oven. It can be used in rack positions 1 through 6.

Open Position



A. Roll-out extension rack
B. Sliding shelf

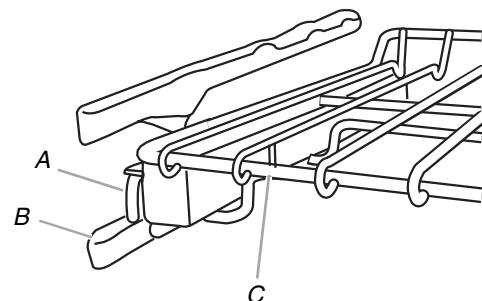
Closed and Engaged Position



A. Roll-out extension rack
B. Sliding shelf

To Remove Roll-Out Extension Rack:

1. Slide the rack in completely so that it is closed and engaged with the sliding shelf.
2. Using two hands, lift up on the front edge of the rack and push the sliding shelf to the back wall of the oven so that the front edge of the sliding shelf sits on the rack guides. The front edge of the rack and the sliding shelf should be higher than the back edge.



A. Sliding shelf
B. Rack guide
C. Roll-out extension rack

3. Pull the rack and the sliding shelf out.

To Replace Roll-Out Extension Rack:

- Using two hands, grasp the front of the closed rack and the sliding shelf. Place the closed rack and the sliding shelf on the rack guide.
- Using two hands, lift up on the front edge of the rack and the sliding shelf together.
- Slowly push the rack and the sliding shelf to the back of the oven until the back edge of the rack pulls over the end of the rack guide.

To avoid damage to the sliding shelves, do not place more than 25 lbs (11.4 kg) on the rack.

Do not clean the roll-out extension rack in a dishwasher. It may remove the rack's lubricant and affect its ability to slide.

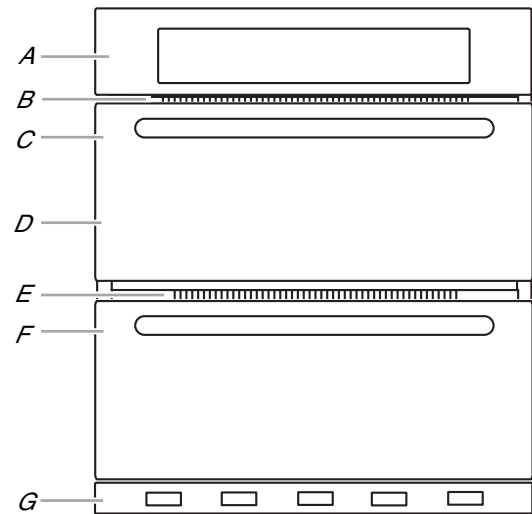
See the "General Cleaning" section for more information.

Bakeware

The bakeware material affects cooking results. Follow manufacturer's recommendations and use the bakeware size recommended in the recipe. Use the following chart as a guide.

Bakeware/Results	Recommendations
Light-colored aluminum <ul style="list-style-type: none"> Light golden crusts Even browning 	<ul style="list-style-type: none"> Use temperature and time recommended in recipe.
Dark aluminum and other bakeware with dark, dull, and/or nonstick finish <ul style="list-style-type: none"> Brown, crisp crusts 	<ul style="list-style-type: none"> May need to reduce baking temperatures slightly. Use suggested baking time. For pies, breads, and casseroles, use temperature recommended in recipe. Place rack in center of oven.
Insulated cookie sheets or baking pans <ul style="list-style-type: none"> Little or no bottom browning 	<ul style="list-style-type: none"> Follow rack recommendations in the "Position Racks and Bakeware" section. May need to increase baking time.
Stainless steel <ul style="list-style-type: none"> Light, golden crusts Uneven browning 	<ul style="list-style-type: none"> May need to increase baking time.
Stoneware/Baking stone <ul style="list-style-type: none"> Crisp crusts 	<ul style="list-style-type: none"> Follow manufacturer's instructions.
Ovenproof glassware, ceramic glass, or ceramic <ul style="list-style-type: none"> Brown, crisp crusts 	<ul style="list-style-type: none"> May need to reduce baking temperatures slightly.

Oven Vents



- | Single and Double Oven | Double Oven |
|-------------------------------------|----------------|
| A. Control panel | D. Upper oven |
| B. Oven vent | E. Oven vent |
| C. Single oven or upper double oven | F. Lower oven |
| G. Bottom vent | G. Bottom vent |

The oven vents should not be blocked or covered since they allow the inlet of fresh air into the cooling system. Also, the bottom vent should not be blocked or covered since it allows the inlet of fresh air into the cooling system and the outlet of hot air from the cooling system. Blocking or covering vents will cause poor air circulation, affecting cooking, cleaning, and cooling results.

Preheating and Oven Temperature

Preheating

When beginning a Bake or Convection Bake cycle, the oven begins preheating after Start is pressed. The oven will take approximately 12 to 17 minutes to reach 350°F (177°C) with all of the oven racks provided with your oven inside the oven cavity. Higher temperatures will take longer to preheat. The preheat cycle rapidly increases the oven temperature. The actual oven temperature will go above your set temperature to offset the heat lost when your oven door is opened to insert food. This ensures that when you place your food in the oven, the oven will begin at the proper temperature. Insert your food when the preheat tone sounds. Do not open the door during preheat until the tone sounds.

NOTE: If the cook timer is set and the oven door is opened during preheating, the timer will automatically start.

Oven Temperature

While in use, the oven elements will cycle on and off as needed to maintain a consistent temperature. They may run slightly hot or cool at any point in time due to this cycling. Opening the oven door while in use will release the hot air and cool the oven which could impact the cooking time and performance. It is recommended to use the oven light to monitor cooking progress.

Baking and Roasting

IMPORTANT: The convection fan and convection element may operate during the Bake function to enhance performance and heat distribution.

The oven will take approximately 12 to 17 minutes to reach 350°F (177°C) with all oven racks inside the oven cavity. The preheat cycle rapidly increases the temperature inside the oven cavity. Higher temperatures will take longer to preheat. Factors that impact preheat times include room temperature, oven temperature, and the number of racks. Unused oven racks can be removed prior to preheating your oven to help reduce preheat time. The actual oven temperature will go above the set temperature to offset the heat lost when the oven door is opened to insert food. This ensures that the oven will begin at the proper temperature when you place food in the oven. Insert food when the preheat tone sounds. Do not open the door during preheat until the tone sounds.

During baking or roasting, the bake and broil elements will cycle on and off in intervals to maintain the oven temperature.

Depending on the model, if the oven door is opened during baking or roasting, the heating elements (bake and broil) will turn off approximately 30 seconds after the door is opened. They will turn on again approximately 30 seconds after the door is closed.

Broiling

Broiling uses direct radiant heat to cook food.

The element cycles on and off in intervals to maintain the oven temperature.

NOTE: No preheating is required for the Broiling function.

IMPORTANT: Close the door to ensure proper broiling temperature.

If the oven door is opened during broiling, the broil element will turn off in approximately 30 seconds. When the oven door is closed, the element will come back on approximately 30 seconds later.

- For best results, use a broiler pan and grid. It is designed to drain juices and help avoid spatter and smoke.
- For proper draining, do not cover the grid with foil. The bottom of the broiler pan may be lined with aluminum foil for easier cleaning.
- Trim excess fat to reduce spattering. Slit the remaining fat on the edges to avoid curling.
- Pull out oven rack to stop position before turning or removing food. Use tongs to turn food to avoid the loss of juices. Very thin cuts of fish, poultry, or meat may not need to be turned.
- After broiling, remove the pan from the oven when removing the food. Drippings will bake on the pan if left in the heated oven, making cleaning more difficult.

Convection

In a convection oven, the fan-circulated hot air distributes heat more evenly. This movement of hot air helps maintain a consistent temperature throughout the oven, cooking foods more evenly while sealing in moisture.

Most foods, using convection baking mode, can be cooked by lowering cooking temperatures 25°F (14°C). The cooking time can be shortened significantly when using Convection Roast, especially for large turkeys and roasts.

- It is important not to cover foods with lids or aluminum foil so that surface areas remain exposed to the circulating air, allowing browning and crisping.
- Keep heat loss to a minimum by opening the oven door only when necessary. It is recommended to use the oven light to monitor progress.
- Choose cookie sheets without sides and roasting pans with lower sides to allow air to move freely around the food.
- Test baked goods for doneness a few minutes before the minimum cooking time using a method such as a toothpick.
- Use a meat thermometer or the temperature probe to determine the doneness of meats and poultry. Check the temperature of pork and poultry in two or three places.

Convection Bake

The convection element is hidden in the rear panel of the oven cavity and, assisted by the convection fan, provides balanced, efficient heating.

Convection baking can be used for baking delicate cakes and pastries as well as foods on multiple racks. It is helpful to stagger items on the racks to allow a more even flow of heat. If the oven is full, extra cooking time may be needed.

When cooking an oven meal with several different types of foods, be sure to select recipes that require similar temperatures. Cookware should sit in the oven with at least 2" (5 cm) of space between the cookware and the sides of the oven.

During convection baking preheat, the convection, bake, and broil elements all heat the oven cavity. After preheat, these elements will cycle on and off in intervals to maintain oven temperature while the fan circulates the hot air.

If the oven door is opened during convection baking, the fan turns off immediately and turns on as soon as the door is closed. Convection, bake, and broil elements will turn off approximately 30 seconds after the door is opened. They will turn on again approximately 30 seconds after the door is closed.

NOTE: It is normal for the convection fan to run during non-convection cycles as well as during preheat.

- Reduce recipe temperature 25°F (14°C). The cook time may need to be reduced also.

To Convection Bake:

Before convection baking, position racks according to the "Positioning Racks and Bakeware" section.

Convection Roast

Convection roasting can be used for roasting meats and poultry. During convection roasting, the bake, broil, and convection elements will cycle on and off in intervals to maintain oven temperature while the fan circulates the hot air.

If the oven door is opened during convection roasting, the fan turns off immediately and turns on as soon as the door is closed. The bake, broil, and convection elements will turn off approximately 30 seconds after the door is opened. They will turn on again approximately 30 seconds after the door is closed.

NOTE: It is normal for the convection fan to run during non-convection cycles as well as during preheat.

To Convection Roast:

Before convection roasting, position racks according to the “Positioning Racks and Bakeware” section. It is not necessary to wait for the oven to preheat before putting food in, unless recommended in the recipe.

Convection Broil

During convection broiling, the broil element will cycle on and off in intervals to maintain oven temperature while the fan circulates the hot air.

The temperature is preset at 550°F (288°C) but can be changed to a different temperature. Cooking times will vary depending on the rack position and temperature, and may need to be adjusted.

If the oven door is opened during convection broiling, the fan turns off immediately and turns on as soon as the door is closed. Broil elements will turn off approximately 30 seconds after the door is opened. They will turn on again approximately 30 seconds after the door is closed.

NOTE: It is normal for the convection fan to run during non-convection cycles as well as during preheat.

To Convection Broil:

For ideal performance, allow the oven to preheat for 5 minutes (no preheat tone will sound). Position food on the unheated grid on the broiler pan, and then place it in the center of the oven rack with the longest side parallel to the door.

Convert Recipe

1. If preheat is not required, place food in oven and close the door.
2. Touch the Power keypad.
3. Select CONVERT RECIPE (FOR CONVECTION).
4. Select PASTRY, ROAST, BAKE, or BROIL to convert a traditional recipe to a convection method of cooking.
5. Touch NEXT.
6. Select the standard cooking temperature.
7. Touch NEXT.
8. Select the original recipe Bake/Roast/Broil time and touch SET.

OR

Touch SKIP TIMER to move to the next step.

9. Touch START. If preheat is required, place food in oven after preheat tone sounds. The display will count down the cook time. When the stop time is reached, the oven will display “TIMER ENDED AT XX:XX” (the time of day) and transition to hold temperature, which maintains the oven temperature. If enabled, end-of-cycle tones will sound.

NOTE: Touch DELAY to delay the baking cycle. Refer to the “Timed Cooking” section for setting delayed start and end times.

10. At any time, touch CANCEL for the selected oven to cancel the current cycle and return to the main menu.

Proofing Bread

Proofing bread prepares dough for baking by activating the yeast. Proofing twice is recommended unless the recipe directs otherwise.

To Proof:

For best performance, ensure your oven cavity temperature is below 120°F (49°C) before placing dough in oven cavity. Before first proofing, place dough in a lightly greased bowl and cover loosely with plastic wrap coated with shortening or cooking spray. Place on a rack in rack position 2. See the “Positioning Racks and Bakeware” for diagram. Close door.

1. Select PROOF. The display will show 100°F (38°C).

2. Touch START.

Let dough rise until nearly doubled in size. Check at 20 to 25 minutes. Proofing time may vary depending on dough type and quantity.

3. At any time, touch CANCEL for the selected oven to cancel the current cycle and return to the main menu.

Before second proofing, shape dough, place in baking pan(s), and cover loosely. Follow the same placement and control steps above. Before baking, remove waxed paper or plastic wrap.

Temperature Probe

The temperature probe accurately measures the internal temperature of meat, poultry, and casseroles with liquid and should be used in determining the doneness of meat and poultry. The temperature probe should only be used with Bake, Convection Bake, or Convection Roast.

Always unplug and remove the temperature probe from the oven when removing food.

Before using, insert the probe into the food item. For meats, the probe tip should be located in the center of the thickest part of the meat and not into the fat or touching a bone. Place food in oven and connect the temperature probe to the jack. Keep probe as far away from heat source as possible. Close oven door.

NOTE: The temperature probe must be inserted into the food item before the mode is selected.

To Use (Convection Roast, Convection Bake, or Bake):

1. Select PROBE COOK.
2. Select the desired cooking mode and touch NEXT.
3. Select the desired oven temperature and touch NEXT.
4. Select the desired food temperature and touch NEXT.
5. Read the Cooking Instructions.
6. Touch START.

OR

Touch DELAY to delay the baking cycle. Refer to the “Timed Cooking” section for setting delayed start and end times.

To Use: (Food Guide):

1. Select PROBE COOK.
2. Select FOOD GUIDE and touch NEXT.
3. Select the desired food category.
4. Select the desired doneness level or food type. Touch NEXT. See the following chart for doneness options.

Food Category	Doneness Options
Precooked Ham	N/A
Pork	<ul style="list-style-type: none"> ■ Medium ■ Well-Done
Chicken	<ul style="list-style-type: none"> ■ Breast ■ Whole
Turkey	<ul style="list-style-type: none"> ■ Breast ■ Whole
Beef	<ul style="list-style-type: none"> ■ Medium-Rare ■ Medium ■ Well-Done
Lamb	<ul style="list-style-type: none"> ■ Medium-Rare ■ Medium ■ Well-Done
Veal	<ul style="list-style-type: none"> ■ Medium-Rare ■ Medium ■ Well-Done

5. Select the original oven temperature. Touch NEXT.
6. Read the Cooking Instructions. Touch START to begin the cooking cycle.

NOTES:

- Depending on the probe attachment status, a tone may sound and the oven may instruct you to add or remove the probe.
- Touch DELAY to delay the baking cycle. Refer to the “Timed Cooking” section for setting delayed start and end times.

My Creations

My Creations allows the customization of cooking processes. When My Creations is selected from the main menu, a list of existing creations is presented along with the ability to create more.

To Create New Creation

1. Select MY CREATIONS.
2. Select CREATE NEW, USE SAVED, or DELETE/EDIT. Touch NEXT.
NOTE: The first time My Creations is used, only “Create New” will be displayed.
3. Select the desired cooking mode.
NOTE: My Creations cannot be used with Convert Recipe or Probe Cook.
4. Select the desired temperature. Touch NEXT.
5. Select how to monitor the cooking: Set Timer (alerts you when a cook timer is complete), Set Probe (alerts you when a target probe temperature is reached), or No Alerts. Touch NEXT.
NOTE: Probe can be used only for Bake, Convect Bake, or Convect Roast.
6. If No Alerts is chosen, go to Step 7.

OR

If Set Timer is chosen, set the desired time. Touch SET.

OR

If Set Probe is chosen, select the target probe internal temperature. Touch NEXT.

7. Review your settings. If any extra stage is needed, touch the stage you wish to set, and then touch ADD.
NOTE: Each stage set shows the following information: Mode, Power/Temperature, and Cook Time. It is possible to have 3 stages. If you wish to update any part of this, touch EDIT.
8. Enter the information into each stage, and then touch SAVE.
9. Name your creation by using the on-screen keypad. Touch SAVE.
10. Touch START to begin the baking cycle for your creation.

OR

Touch DELAY to delay the baking cycle. Refer to the “Timed Cooking” section for setting delayed start and end times.

To Use Saved Creation

1. Select MY CREATIONS.
2. Select USE SAVED, and then touch NEXT.
3. Select the desired cooking creation, and then touch START.
NOTE: You may be prompted to open and close the door before the creation can begin cooking.

To Delete Creation

1. Select MY CREATIONS.
2. Select DELETE/EDIT, and then touch NEXT.
3. Select the creation you wish to delete.
4. Touch DELETE.

To Edit Creation

1. Select MY CREATIONS.
2. Select DELETE/EDIT, and then touch NEXT.
3. Select the desired creation, and then touch EDIT.
4. Select the stage to be modified, and then touch EDIT.
NOTE: If a stage is empty, you can touch ADD to add an action to that stage.
5. Select the desired temperature. Touch NEXT.
6. Select how to monitor the cooking: Set Timer (alerts you when a cook timer is complete), Set Probe (alerts you when a target probe temperature is reached), or No Alerts. Touch NEXT.
NOTE: Probe can be used only for Bake, Convect Bake, or Convect Roast.
7. If No Alerts is chosen, go to Step 8.

OR

If Set Timer is chosen, set the desired time. Touch SET.

OR

If Set Probe is chosen, select the target probe internal temperature. Touch NEXT.

8. Review your settings. If any extra stage is needed, touch the stage you wish to set, and then touch ADD.
NOTE: Each stage set shows the following information: Mode, Power/Temperature, and Cook Time. It is possible to have three stages. If you wish to update any part of this, touch EDIT.
9. Enter the information into each stage, and then touch SAVE.
10. Name your creation by using the on-screen keypad. Touch SAVE.
11. Touch START to begin the baking cycle for your creation.

OR

Touch DELAY to delay the baking cycle. Refer to the “Timed Cooking” section for setting delayed start and end times.

Timed Cooking

⚠ WARNING

Food Poisoning Hazard

Do not let food sit in oven more than one hour before or after cooking.

Doing so can result in food poisoning or sickness.

Oven Timer and Delay Start allow the oven(s) to be set to turn on at a certain time of day, cook for a set length of time, and/or shut off automatically. Delay Start should not be used for food such as breads and cakes because they may not bake properly.

To Set an Oven Timer:

The Oven Timer will turn the selected oven off when the set time has expired. The maximum length is 11:59:00.

NOTE: In double-oven models, begin by selecting either Upper Oven or Lower Oven from the control panel.

1. Select the desired cooking mode and oven temperature, and then touch START.
2. Touch OVEN TIMER next to the displayed cooking mode and temperature.
3. Set the desired length of time for the Oven Timer.
4. Touch START.

OR

Touch one of the When Timer Ends keypads to set the behavior of the oven after the Oven Timer has completed. Choose between Hold Temp (default), Keep Warm, and Oven Off. Touch START.

- Keep Warm will reduce the oven temperature to 170°F (77°C) after the cook time ends.
- Hold Temp will keep the set oven temperature after the cook time ends.
- Oven Off will turn the oven off when the cook time ends.

When the Oven Timer has completed, the When Timer Ends behavior will begin and a message of "TIMER ENDED AT XX:XX" (the time of day) is displayed.

If enabled, end-of-cycle tones will sound, and then tones will sound every minute.

5. At any time, touch CANCEL for the selected oven to cancel the current cycle and return to the main menu, or open and close the oven door to clear the display and/or stop reminder tones.

To Cancel the Oven Timer only:

1. Touch the Oven Timer.
2. Touch OFF.

To Edit the Oven Timer:

1. Touch the Oven Timer.
2. Select the new desired length of time.
3. Touch SET.

To Set a Delay Start Time and Stop Time:

Before setting, make sure the clock is set to the correct time of day. For double ovens, be sure to select the desired oven before proceeding.

NOTE: In double-oven models, begin by selecting either Upper Oven or Lower Oven from the control panel.

1. Select the desired cooking mode and oven temperature. Follow the on-screen prompts until the Delay keypad appears.
NOTE: Delay Start may be used with the Bread Proof function, but the temperature is not adjustable.
2. Touch DELAY.
3. Set the desired "Cooking start at" time.
NOTE: The start and end times are rounded to the nearest quarter hour (00:00, 00:15, 00:30, or 00:45).
4. Set the desired "Cooking ends at" time.
5. Touch SET.

OR

Touch START NOW to immediately begin the cooking timer without a delay.

The difference between the "Cooking start at" time and the "Cooking ends at" time is used as the cooking timer.

When the start time is reached, the oven will automatically turn on. The time countdown will appear on the oven display.

When the Oven Timer has completed, the When Timer Ends behavior will begin and a message of "TIMER ENDED AT XX:XX" (the time of day) is displayed.

If enabled, end-of-cycle tones will sound, and then reminder tones will sound every minute.

6. Touch CANCEL for the selected oven to cancel the current cycle and return to the main menu.

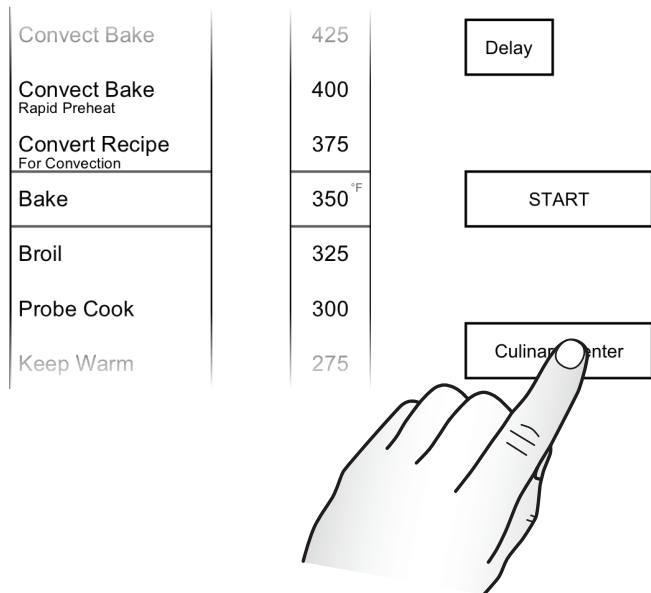
If the oven door is opened and closed after the cycle ends, the display will be cleared and the reminded tones will stop, but the oven will continue to operate in the end-of-cycle behavior selected (Keep Warm is the default behavior).

NOTE: Changing the Oven Temperature or Oven Time after the Start Time is reached will change the When Timer Ends behavior to the Hold Temp function.

Culinary Center

The Culinary Center is full of information to assist in baking and cooking a wide variety of foods. As you program this mode, you will make selections such as type of meat, vegetable, preferred doneness level, browning level, and pan type, depending on the food. There are helpful tips and hints as you progress through the menu. The Culinary Center will make adjustments based on the doneness and pan you select. All of the selections cycle the appropriate elements and fans for the programmed food.

Cook all foods to minimum safe internal temperatures. Consuming raw or under-cooked meats, poultry, seafood, shellfish, or eggs may increase your risk of food-borne illness. Visit foodsafety.gov/keep/charts/mintemp.html for a complete listing.



1. From the main menu, touch CULINARY CENTER.
2. Select the desired food category.
3. Select the desired food type and touch NEXT.
4. (For some foods) Select the Doneness level.
5. Touch NEXT.
6. Select the desired Cookware Type and touch NEXT.
7. If the selected food type uses a probe cook method, skip to Step 8.

OR

If the selected food type uses a Timed Cook method, select the original temperature and touch NEXT.

8. Select the original cook time and touch NEXT.
NOTE: The Time Range feature can be used at this point. This feature uses an average cook time based on the longest and shortest times entered.
9. Read and follow the Cooking Tips to ensure optimum oven performance and touch START.

At any time, touch CANCEL for the selected oven to cancel the current cycle and return to the main menu.

NOTE: Depending on the Food Type selected and probe attachment status, a tone may sound and the oven may instruct you to add or remove the probe.

Culinary Center Modes

Food Category	Cook Method	Food Type
Vegetables	Probe	Baked Potatoes
	Timed	Roasted Vegetables
Casseroles	Timed	Chicken Casserole
		Lasagna
		Sweet Potato Casserole
		Tuna Casserole
Baked Goods	Timed	Biscuits
		Bread
		Brownies
		Cake
		Cookies
		Cupcakes
		Pie Crust
		Roasts
Crown Lamb Roast		
Meat Loaf (Timed Cook also available)		
Prime Rib		
Round Roast		
Poultry	Probe	
		Boneless Chicken
		Chicken Roaster
		Duck
		Turkey
Pork	Probe	Ham
		Pork Loin
Seafood	Probe	Fish Fillet
		Salmon/Tuna Steak
		Swordfish Steak

Self-Cleaning Cycle

⚠ WARNING



Burn Hazard

Do not touch the oven during the Self-Cleaning cycle.

Keep children away from oven during Self-Cleaning cycle.

Failure to follow these instructions can result in burns.

IMPORTANT: The health of some birds is extremely sensitive to the fumes given off during the Self-Cleaning cycle. Exposure to the fumes may result in death to certain birds. Always move birds to another closed and well-ventilated room.

Self-clean the oven before it becomes heavily soiled. Heavy soil results in longer cleaning and more smoke.

Keep the kitchen well-ventilated during the Self-Cleaning cycle to help get rid of heat, odors, and smoke.

Do not block the oven vent(s) during the Self-Cleaning cycle. Air must be able to move freely. See the "Oven Vents" section.

Do not clean, rub, damage, or move the oven door gasket. The door gasket is essential for a good seal.

Prepare Oven:

- Remove the broiler pan, grid, cookware and bakeware, and, on some models, the temperature probe from the oven.
- Remove oven racks to keep them shiny and easy to slide. See the "General Cleaning" section for more information.
- Remove any foil from the oven because it may burn or melt, damaging the oven.
- Hand clean inside door edge and the 1½" (3.8 cm) area around the inside oven cavity frame, being certain not to move or bend the gasket. This area does not get hot enough during high-temp self-cleaning to remove soil. Do not let water, cleaner, etc., enter slots on door frame. Use a damp cloth to clean this area.
- Wipe out any loose soil to reduce smoke and avoid damage. At high temperatures, foods react with porcelain. Staining, etching, pitting, or faint white spots can result. This is normal and will not affect cooking performance.

How the Cycle Works

IMPORTANT: The heating and cooling of porcelain on steel in the oven may result in discoloring, loss of gloss, hairline cracks, and popping sounds.

The Self-Cleaning cycle uses very high temperatures, burning soil to a powdery ash.

Suggested clean times are 3 hours for light soil, 4 hours for medium soil, and 5 hours for heavy soil.

Once the oven has completely cooled, remove ash with a damp cloth. To avoid breaking the glass, do not apply a cool damp cloth to the inner door glass before it has completely cooled.

The oven lights will not work during the Self-Cleaning cycle.

NOTE: The oven has a 2-speed cooling fan motor. During the Self-Cleaning cycle, the fan(s) will operate at its highest speed to increase airflow to better exhaust the hotter air through the oven vent(s). An increase in noise may be noticeable during and after the Self-Cleaning cycle until the oven cools.

To Start Self-Cleaning Cycle:

Before Self-Cleaning, make sure the door is closed completely or it will not lock and the cycle will not begin.

1. For single ovens, touch SELF CLEAN. For double ovens, touch TOOLS, select SELF CLEAN, and then touch the desired oven to clean.
2. Select the desired time/soil level, and then touch NEXT.
3. Read the on-screen instructions, and then touch NEXT.
4. Follow the on-screen directions. The oven will prompt you to touch a series of keypads to confirm the Self-Cleaning cycle.

The oven will start locking the door. Opening the door at this point will cancel the Self-Cleaning cycle. The start time and stop time will appear on the oven display.

When the cycle is complete, a countdown timer will be displayed that represents the amount of time remaining before the door is unlocked. The door will not unlock until the oven is cool.

NOTE: The oven door will lock before the timer begins counting down.

If enabled, end-of-cycle tones will sound, and then reminder tones will sound every minute.

To Stop Self-Cleaning Anytime:

Touch CANCEL for the appropriate oven. If the oven temperature is too high, the door will remain locked. It will not unlock until the oven cools.

General Cleaning

IMPORTANT: Before cleaning, make sure all controls are OFF and the oven is cool. Always follow label instructions on cleaning products. For additional information, you can visit the Frequently Asked Questions (FAQs) section of our website at www.jennair.com. In Canada, reference the Customer Service section at www.jennair.ca.

Soap, water, and a soft cloth or sponge are suggested first unless otherwise noted.

STAINLESS STEEL (on some models)

To avoid damage to stainless steel surfaces, do not use soap-filled scouring pads, abrasive cleaners, Cooktop Cleaner, steel-wool pads, gritty washcloths, or abrasive paper towels.

Cleaning Method:

Rub in direction of grain to avoid damaging.

- affresh® Stainless Steel Cleaner Part Number W10355016 (not included):
See the "Accessories" section for more information.

OVEN DOOR EXTERIOR

Cleaning Method:

- Glass cleaner and a soft cloth or sponge:
Apply glass cleaner to soft cloth or sponge, not directly on panel.
- affresh® Kitchen and Appliance Cleaner Part Number W10355010 (not included):
See the "Accessories" section for more information.

OVEN DOOR INTERIOR

Cleaning Method:

- Self-Cleaning cycle:
For optimal door-cleaning results, wipe away any deposits with a damp sponge before running cycle.

CONTROL PANEL

To avoid damage to the control panel, do not use abrasive cleaners, steel-wool pads, gritty washcloths, or abrasive paper towels.

Cleaning Method:

- Glass cleaner and soft cloth or sponge:
Apply glass cleaner to soft cloth or sponge, not directly on panel.
- affresh® Kitchen and Appliance Cleaner Part Number W10355010 (not included):
See the “Accessories” section for more information.

OVEN CAVITY

Do not use oven cleaners.

Food spills should be cleaned when oven cools. At high temperatures, foods react with porcelain. Staining, etching, pitting, or faint white spots can result.

Cleaning Method:

- Self-Cleaning cycle:
See “Self-Cleaning Cycle” first.

OVEN RACKS

Cleaning Method:

- Steel-wool pad

Oven Lights

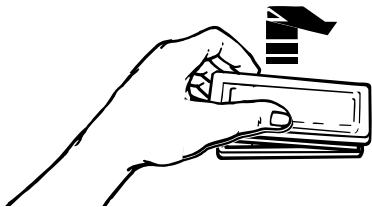
The oven lights are 120-volt, 40-watt maximum halogen bulbs. They will come on when the oven door is opened. On double oven models, both upper and lower lights will come on when either door is opened. The oven lights will not work during the Self-Cleaning cycle.

When the door is closed, touch the appropriate Oven Light keypad to turn on the oven light.

To Replace:

Before replacing the bulb, make sure the oven is off and cool.

1. Disconnect power.
2. Remove glass light cover by grasping the front edge and pulling away from oven.



3. Remove bulb from socket.
4. Replace bulb, using tissue or wearing cotton gloves to handle bulb. To avoid damage to or decreasing the life of the new bulb, do not touch bulb with bare fingers.
5. Replace bulb cover by snapping back into wall.
6. Reconnect power.

IMPORTANT: Do not use bulbs rated higher than 40 watts.

Oven Door

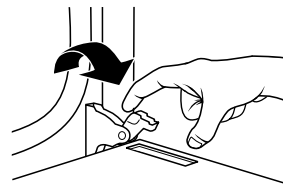
IMPORTANT: To avoid oven door glass breakage:

- Do not close the oven door if the racks are not fully inserted into the oven cavity or when bakeware extends past the front edge of an oven rack.
- Do not set objects on the glass surface of the oven door.
- Do not hit glass surfaces with bakeware or other objects.
- Do not wipe down glass surfaces until the oven has completely cooled.

For normal oven use, it is not suggested to remove the oven door. However, if removal is necessary, make sure the oven is OFF and cool. Then, follow these instructions. The oven door is heavy.

To Remove:

1. Open oven door all the way.
2. Flip up the hinge latch on each side.



3. Close the oven door as far as it will shut.
4. Lift the oven door while holding both sides.
Continue to push the oven door closed and pull it away from the oven door frame.



To Replace:

1. Insert both hanger arms into the door.



2. Open the oven door.
You should hear a “click” as the door is set into place.
3. Move the hinge levers back to the locked position. Check that the door is free to open and close. If it is not, repeat the removal and installation procedures.

Troubleshooting

First try the solutions suggested here. If you need further assistance or more recommendations that may help you avoid a service call, refer to the warranty page in this manual and scan the code there with your mobile device, or visit producthelp.jennair.com. In Canada, visit www.jennair.ca.

Contact us by mail with any questions or concerns at the address below:

In the U.S.A.:

Jenn-Air Brand Home Appliances
Customer eXperience Center
553 Benson Road
Benton Harbor, MI 49022-2692

In Canada:

Jenn-Air Brand Home Appliances
Customer eXperience Centre
200 – 6750 Century Ave.
Mississauga, Ontario L5N 0B7

Please include a daytime phone number in your correspondence.

Problem	Possible Causes and/or Solutions
Nothing will operate	Has a household fuse blown or has a circuit breaker tripped? Replace the fuse or reset the circuit breaker. If the problem continues, call an electrician.
Oven will not operate	Has a Delay Start been set? See the “Timed Cooking” section. Is the Button Lock set? See the “Button Lock” section. Is the Sabbath mode set? See the “Sabbath Mode” section. On double-oven models, is one oven self-cleaning? When one oven is self-cleaning, the other oven cannot be set or turned on.
Oven temperature too high or too low	Does the oven temperature calibration need adjustment? See the “Oven Temperature Control” section.
Warm air coming from oven vent	Warm air coming from the oven vent is normal. During a Self-Cleaning cycle, the air stream is increased. The cooling fan may operate both during an oven’s cycle and after the cycle has ended, causing warm air to exit from the oven vent.
Display shows messages	Is the display showing a letter followed by a number? If a letter followed by a number reappears, call for service.
Fan runs during Bake function	It is normal for the convection fan and element to operate during Bake mode to enhance performance and heat distribution.
Long preheat times	Not all cycles require preheating. See cycle instructions for preheat recommendations. Most cycles preheat to 350°F (177°C) in 12 to 17 minutes. Higher temperatures will take more time. Removing unused oven racks prior to preheating can help reduce preheat time.
Self-Cleaning cycle will not operate	Is the oven door open? Close the oven door all the way. Has the function been entered? See the “Self-Cleaning Cycle” section. Has a Delay Start Self-Cleaning cycle been set? See the “Self-Cleaning Cycle” section. On double-oven models, is one oven self-cleaning? When one oven is self-cleaning, the other oven cannot be set to self-clean.
Oven cooking results not what expected	Is the proper temperature set? Double-check the recipe in a reliable cookbook. Is the proper oven temperature calibration set? See the “Oven Temperature Control” section. Was the oven preheated? See the “Baking and Roasting” section. Is the proper bakeware being used? See the “Bakeware” section. Are the racks positioned properly? See the “Positioning Racks and Bakeware” section. Is there proper air circulation around bakeware? See the “Positioning Racks and Bakeware” section. Is the batter evenly distributed in the pan? Check that batter is level in the pan. Is the proper length of time being used? Adjust cooking time. Has the oven door been opened while cooking? Oven peeking releases oven heat and can result in longer cooking times. Are baked items too brown on the bottom? Move rack to higher position in the oven. Are pie crust edges browning early? Use aluminum foil to cover the edge of the crust and/or reduce baking temperature.
Uneven browning of baked items	See the “Positioning Racks and Bakeware” section. Center the baking pan(s) on the rack and allow a minimum of 2" (5 cm) of clearance around all sides of the pan(s). Allow a minimum of 2" (5 cm) of clearance between the oven door and the front edge of baking pans.
Fan gets louder during cooking mode with the door open	If the oven door is opened during a cooking mode and left open for approximately 60 seconds, the cooling fan will switch to a higher speed. You may experience higher noise during this time. When the oven door is closed, the fan will switch back to its lower speed after approximately 60 seconds.

Accessories

For accessories in the U.S.A., you can visit our website at www.jennair.com or call us at **1-800-JENNAIR (1-800-536-6247)**.
In Canada, visit our website at www.jennair.ca or call us at **1-800-JENNAIR (1-800-536-6247)**.

**affresh® Stainless Steel
Cleaning Wipes**

(stainless steel models)
Order Part Number W10355049

affresh® Stainless Steel Cleaner

(stainless steel models)
Order Part Number W10355016

**affresh® Kitchen and
Appliance Cleaner**

Order Part Number W10355010

27" HD Max Capacity Oven Rack

Order Part Number W10554529

27" Sliding Flat Oven Rack

Order Part Number W10861837

30" HD Max Capacity Oven Rack

Order Part Number W10554526

30" Sliding Flat Oven Rack

Order Part Number W10860776

Porcelain Broiler Pan and Grid

Order Part Number 4396923

**Premium Broiler Pan
and Roasting Rack**

Order Part Number W10123240

JENN-AIR® COOKING LIMITED WARRANTY

ATTACH YOUR RECEIPT HERE. PROOF OF PURCHASE IS REQUIRED TO OBTAIN WARRANTY SERVICE.

Please have the following information available when you call the Customer eXperience Center:

- Name, address and telephone number
- Model number and serial number
- A clear, detailed description of the problem
- Proof of purchase including dealer or retailer name and address

IF YOU NEED SERVICE:

1. Before contacting us to arrange service, please determine whether your product requires repair. Some questions can be addressed without service. Please take a few minutes to review the Troubleshooting or Problem Solver section of the Use and Care Guide, scan the QR code on the right to access additional resources, or visit <https://jennair.custhelp.com>.
2. All warranty service is provided exclusively by our authorized Jenn-Air Service Providers. In the U.S. and Canada, direct all requests for warranty service to:

Jenn-Air Customer eXperience Center
1-800-JENNAIR (1-800-536-6247).



<https://jennair.custhelp.com>

If outside the 50 United States or Canada, contact your authorized Jenn-Air dealer to determine whether another warranty applies.

FIVE YEAR LIMITED WARRANTY

WHAT IS COVERED

TWO YEAR LIMITED WARRANTY (PARTS & LABOR)

For two years from the date of purchase, when this major appliance is installed, operated and maintained according to instructions attached to or furnished with the product, Jenn-Air brand of Whirlpool Corporation or Whirlpool Canada, LP (hereafter "Jenn-Air") will pay for factory specified replacement parts and repair labor to correct defects in materials or workmanship that existed when this major appliance was purchased or, at its sole discretion replace the product. In the event of product replacement, your appliance will be warranted for the remaining term of the original unit's warranty period.

THIRD THROUGH FIFTH YEAR LIMITED WARRANTY (CERTAIN COMPONENT PARTS ONLY - LABOR NOT INCLUDED)

In the third through fifth years from the date of original purchase, when this major appliance is installed, operated and maintained according to instructions attached to or furnished with the product, Jenn-Air will pay for factory specified parts for the following components to correct non-cosmetic defects in materials or workmanship in these parts that prevent function of this major appliance and that existed when this major appliance was purchased. This is a limited 5-year warranty on the below named parts only and does not include repair labor.

- Electric element
- Touch Pad and microprocessor
- Glass ceramic cooktop: if due to thermal breakage
- Electronic controls
- Magnetron tube
- Sealed gas burners

YOUR SOLE AND EXCLUSIVE REMEDY UNDER THIS LIMITED WARRANTY SHALL BE PRODUCT REPAIR AS PROVIDED HEREIN. Service must be provided by a Jenn-Air designated service company. This limited warranty is valid only in the United States or Canada and applies only when the major appliance is used in the country in which it was purchased. This limited warranty is effective from the date of original consumer purchase. Proof of original purchase date is required to obtain service under this limited warranty.

WHAT IS NOT COVERED

1. Commercial, non-residential, multiple-family use, or use inconsistent with published user, operator or installation instructions.
2. In-home instruction on how to use your product.
3. Service to correct improper product maintenance or installation, installation not in accordance with electrical or plumbing codes or correction of household electrical or plumbing (i.e. house wiring, fuses or water inlet hoses).
4. Consumable parts (i.e. light bulbs, batteries, air or water filters, preservation solutions, etc.).
5. Defects or damage caused by the use of non-genuine Jenn-Air parts or accessories.
6. Conversion of products from natural gas or L.P. gas.
7. Damage from accident, misuse, abuse, fire, floods, acts of God or use with products not approved by Jenn-Air.
8. Repairs to parts or systems to correct product damage or defects caused by unauthorized service, alteration or modification of the appliance.
9. Cosmetic damage including scratches, dents, chips, and other damage to the appliance finishes unless such damage results from defects in materials and workmanship and is reported to Jenn-Air within 30 days.
10. Discoloration, rust or oxidation of surfaces resulting from caustic or corrosive environments including but not limited to high salt concentrations, high moisture or humidity or exposure to chemicals.
11. Food or medicine loss due to product failure.
12. Pick-up or delivery. This product is intended for in-home repair.
13. Travel or transportation expenses for service in remote locations where an authorized Jenn-Air servicer is not available.
14. Removal or reinstallation of inaccessible appliances or built-in fixtures (i.e. trim, decorative panels, flooring, cabinetry, islands, countertops, drywall, etc.) that interfere with servicing, removal or replacement of the product.
15. Service or parts for appliances with original model/serial numbers removed, altered or not easily determined.

The cost of repair or replacement under these excluded circumstances shall be borne by the customer.

DISCLAIMER OF IMPLIED WARRANTIES

IMPLIED WARRANTIES, INCLUDING ANY IMPLIED WARRANTY OF MERCHANTABILITY OR IMPLIED WARRANTY OF FITNESS FOR A PARTICULAR PURPOSE, ARE LIMITED TO ONE YEAR OR THE SHORTEST PERIOD ALLOWED BY LAW. Some states and provinces do not allow limitations on the duration of implied warranties of merchantability or fitness, so this limitation may not apply to you. This warranty gives you specific legal rights, and you also may have other rights that vary from state to state or province to province.

DISCLAIMER OF REPRESENTATIONS OUTSIDE OF WARRANTY

Jenn-Air makes no representations about the quality, durability, or need for service or repair of this major appliance other than the representations contained in this warranty. If you want a longer or more comprehensive warranty than the limited warranty that comes with this major appliance, you should ask Jenn-Air or your retailer about buying an extended warranty.

LIMITATION OF REMEDIES; EXCLUSION OF INCIDENTAL AND CONSEQUENTIAL DAMAGES

YOUR SOLE AND EXCLUSIVE REMEDY UNDER THIS LIMITED WARRANTY SHALL BE PRODUCT REPAIR AS PROVIDED HEREIN. JENN-AIR SHALL NOT BE LIABLE FOR INCIDENTAL OR CONSEQUENTIAL DAMAGES. Some states and provinces do not allow the exclusion or limitation of incidental or consequential damages, so these limitations and exclusions may not apply to you. This warranty gives you specific legal rights, and you also may have other rights that vary from state to state or province to province.



Guide de l'utilisateur

Fours électriques simples
et doubles, encastrés

MERCI d'avoir acheté ce produit de grande qualité. Enregistrez la cuisinière sur www.whirlpool.ca.

Pour référence ultérieure, consignez par écrit les numéros de modèle et de série de votre produit. Vous trouverez les numéros de modèle et de série sur la plaque signalétique située sur le châssis du four, derrière la partie supérieure droite de la porte du four.

Numéro de modèle _____ Numéro de série du produit _____

Table des matières

SÉCURITÉ DU FOUR ENCASTRÉ	23
PIÈCES ET CARACTÉRISTIQUES	24
GUIDE DES CARACTÉRISTIQUES	25
Panneau tactile	26
Affichage	26
Affichage du menu	26
Démonstration de menu	26
Minuterie de cuisine	28
Tons/Sons	28
Tools (outils)	28
Verrouillage des commandes	29
Commande de la température du four	29
Mode Sabbat	30
UTILISATION AU FOUR	31
Connexion Wi-Fi	31
Papier d'aluminium	31
Position des grilles et des ustensiles de cuisson au four	31
Grille coulissante déployante	32
Ustensiles de cuisson	33
Événements du four	33
Préchauffage et température du four	33
Cuisson au four et rôtissage	34
Cuisson au gril	34
Convection	34
Cuisson au four par convection	34
Rôtissage par convection	35
Cuisson au gril par convection	35
Convertir la recette	35
Levée du pain	35
Sonde thermométrique	35
Mes créations	36
Cuisson minutée	37
Centre culinaire	38
ENTRETIEN DU FOUR	39
Programme d'autonettoyage	39
Nettoyage général	40
Lampes du four	40
Porte du four	40
DÉPANNAGE	41
ACCESSOIRES	42
GARANTIE	43

Votre sécurité et celle des autres est très importante.

Nous donnons de nombreux messages de sécurité importants dans ce manuel et sur votre appareil ménager. Assurez-vous de toujours lire tous les messages de sécurité et de vous y conformer.



Voici le symbole d'alerte de sécurité.

Ce symbole d'alerte de sécurité vous signale les dangers potentiels de décès et de blessures graves à vous et à d'autres.

Tous les messages de sécurité suivront le symbole d'alerte de sécurité et le mot "DANGER" ou "AVERTISSEMENT". Ces mots signifient :

⚠ DANGER

Risque possible de décès ou de blessure grave si vous ne suivez pas immédiatement les instructions.

⚠ AVERTISSEMENT

Risque possible de décès ou de blessure grave si vous ne suivez pas les instructions.

Tous les messages de sécurité vous diront quel est le danger potentiel et vous disent comment réduire le risque de blessure et ce qui peut se produire en cas de non-respect des instructions.

IMPORTANTES INSTRUCTIONS DE SÉCURITÉ

AVERTISSEMENT : Pour réduire le risque d'incendie, de choc électrique, de blessures corporelles ou de dommages lors de l'utilisation du four, il convient d'observer certaines précautions élémentaires dont les suivantes :

- Installation appropriée – S'assurer que le four est convenablement installé et relié à la terre par un technicien qualifié.
- Ne jamais utiliser le four pour chauffer ou réchauffer une pièce.
- Ne pas laisser les enfants seuls – Les enfants ne doivent pas être laissés seuls ou sans surveillance dans la pièce où le four est en service. Ne jamais laisser les enfants s'asseoir ou se tenir sur une partie quelconque du four.
- Porter des vêtements appropriés – Les vêtements amples ou détachés ne doivent jamais être portés pendant l'utilisation du four.
- Entretien par l'utilisateur – Ne pas réparer ni remplacer toute pièce du four si ce n'est pas spécifiquement recommandé dans le manuel. Toute autre opération d'entretien ou de réparation doit être confiée à un technicien qualifié.
- Ne pas utiliser d'eau pour éteindre un feu de graisse – Éteindre le feu ou les flammes ou utiliser des extincteurs polyvalents à produits chimiques secs ou un extincteur à mousse.
- Utiliser seulement des mitaines sèches de four – Des mitaines de four mouillées ou humides sur des surfaces chaudes peuvent provoquer des brûlures provenant de la vapeur. Ne pas laisser les mitaines de four toucher les éléments chauffants. Ne pas utiliser une serviette ou un tissu épais.
- Exercer une grande prudence lors de l'ouverture de la porte. Laisser l'air chaud ou la vapeur s'échapper avant d'enlever ou de remplacer un plat.
- Ne pas faire chauffer des contenants fermés – L'accumulation de pression peut causer une explosion du contenant et des blessures.

- Ne jamais obstruer les ouvertures des événements.
- Placement des grilles du four – Toujours placer les grilles du four à l'endroit désiré, lorsque le four est froid. Si la grille doit être déplacée lorsque le four est chaud, ne pas laisser des mitaines de four toucher l'élément chauffant dans le four.
- Remisage dans le four – Des matériaux inflammables ne doivent pas être remisés dans un four.
- NE PAS TOUCHER LES ÉLÉMENTS CHAUFFANTS OU LES SURFACES INTÉRIEURES DU FOUR – les éléments chauffants peuvent être chauds même s'ils ont une teinte foncée. Les surfaces intérieures de four deviennent assez chaudes pour causer des brûlures. Pendant et après l'utilisation, ne pas toucher ou laisser des vêtements ou autres matériaux inflammables venir en contact avec les éléments chauds ou les surfaces intérieures chaudes du four avant qu'ils aient eu assez de temps pour refroidir. D'autres surfaces du four peuvent devenir assez chaudes pour causer des brûlures. Ces surfaces comprennent les ouvertures de l'événement du four et la surface près de ces ouvertures, les portes du four et les hublots des portes du four.

Fours autonettoyants :

- Ne pas nettoyer le joint de la porte – Le joint de la porte est essentiel pour l'étanchéité. Veiller à ne pas froter, endommager ou déplacer le joint.
- Ne pas utiliser les produits commerciaux de nettoyage de four – On ne doit pas utiliser un produit commercial de nettoyage de four ou un enduit de protection des surfaces internes du four quel qu'en soit le type, sur les surfaces du four ou les surfaces voisines.
- Nettoyer uniquement les pièces indiquées dans le manuel.
- Avant d'exécuter le programme d'autonettoyage du four, enlever la lèchefrite et sa grille et les autres ustensiles.

CONSERVEZ CES INSTRUCTIONS

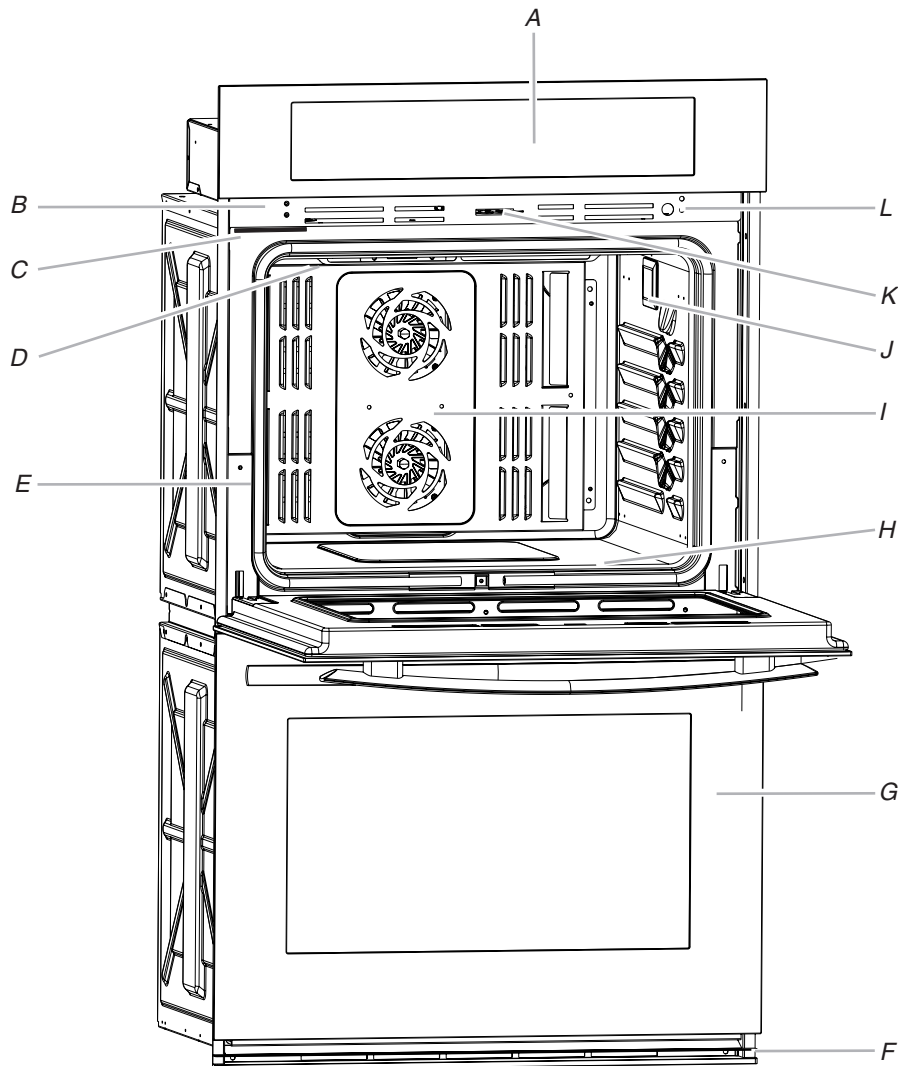
Avertissements de la proposition 65 de l'État de Californie :

AVERTISSEMENT : Ce produit contient au moins un produit chimique connu par l'État de Californie pour être à l'origine de cancers.

AVERTISSEMENT : Ce produit contient au moins un produit chimique connu par l'État de Californie pour être à l'origine de malformations et autres déficiences de naissance.

Pièces et caractéristiques

Ce manuel concerne plusieurs modèles. Le modèle que vous avez peut comporter toutes les caractéristiques énumérées ou seulement certaines d'entre elles. Se reporter à ce manuel ou à la section Foire aux questions (FAQ) de notre site Web sur www.jennair.com pour des instructions plus détaillées. Au Canada, consulter la section du service à la clientèle sur www.jennair.ca.



- A. Module de commande électronique du four
- B. Évent du four
- C. Plaque de numéros de modèle et de série (sur l'évent du centre sous le tableau de commande)
- D. Éléments de cuisson au grill
- E. Joint d'étanchéité
- F. Évent inférieur

- G. Four inférieur (sur les modèles à double four)
- H. Élément de cuisson au four non visible
- I. Éléments de cuisson par convection jumelés et ventilateurs
- J. Lampes du four (côté gauche non visible)
- K. Loquet de verrouillage de la porte du four
- L. Commutateur d'éclairage du four

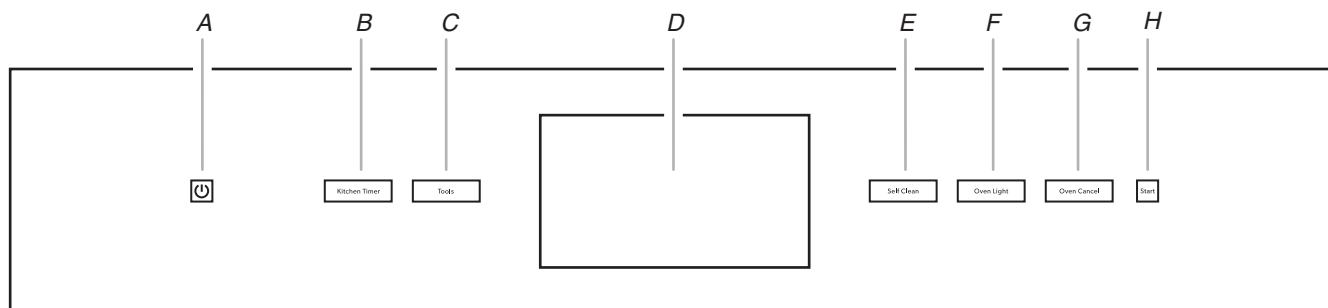
Pièces et caractéristiques non illustrées

- Connecteur de la sonde thermométrique
- Sonde thermométrique
- Grilles

Guide des caractéristiques

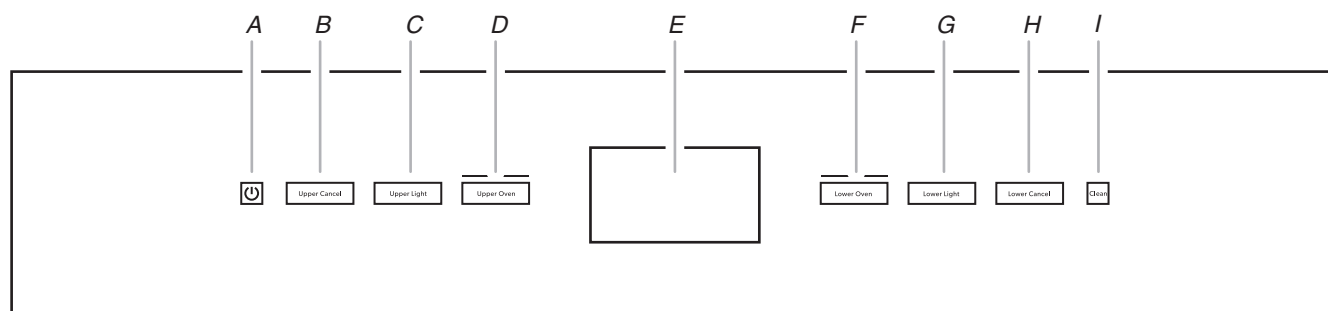
Ce manuel concerne plusieurs modèles. Le modèle que vous avez peut comporter toutes les caractéristiques énumérées ou seulement certaines d'entre elles. Se reporter à ce manuel ou à la section Foire aux questions (FAQ) de notre site Web sur www.jennair.com pour des instructions plus détaillées. Au Canada, consulter la section du service à la clientèle sur www.jennair.ca.

Four simple :




- | | |
|--------------------------------------|-----------------------|
| A. Marche ou arrêt de l'alimentation | E. Autonettoyage |
| B. Minuterie de cuisine | F. Éclairage du four |
| C. Outils | G. Annulation du four |
| D. Affichage | H. Commencer |

Four double :



- | | |
|--------------------------------------|------------------------------|
| A. Marche ou arrêt de l'alimentation | F. Four inférieur |
| B. Annulation du four supérieur | G. Lampe inférieure |
| C. Lampe supérieure | H. Annulation four inférieur |
| D. Four supérieur | I. Nettoyage |
| E. Affichage | |

Touche	Fonction	Instructions
POWER (marche ou arrêt de l'alimentation) 	Marche ou arrêt de l'alimentation	Appuyer sur cette touche pour mettre l'affichage du four sous/hors tension.
OVEN LIGHT UPPER LIGHT LOWER LIGHT (lampe four lampe supérieur lampe inférieur)	Lampe de la cavité du four	La Oven Light (lampe du four) désirée est commandée par une touche située sur le tableau de commande du four. La porte du four étant fermée, appuyer sur la touche de la lampe du four désirée pour allumer ou éteindre la lampe. Les lampes du four s'allument automatiquement à l'ouverture de la porte correspondante.
KITCHEN TIMER (minuterie de cuisine) (sur certains modèles)	Minuterie	La Kitchen Timer (minuterie de cuisine) peut être réglée en heures, en minutes ou en secondes jusqu'à concurrence de 23 heures, 59 minutes et 59 secondes. La Kitchen Timer (minuterie de cuisine) ne met pas en marche le ou les fours et ne les éteint pas.
OVEN CANCEL UPPER CANCEL LOWER CANCEL (annulation four, annulation four supérieur, annulation four inférieur) (sur certains modèles)	Fonction du four	Les touches Lower Cancel (annulation four inférieur), Upper Cancel (annulation four supérieur) et Cancel (annulation) arrêtent les fonctions des fours respectifs à l'exception de l'horloge, de la minuterie de cuisine et du verrouillage des commandes. Le ou les ventilateurs de refroidissement du four peuvent continuer à fonctionner même après l'annulation ou la fin d'une fonction, selon la température du four.

Touche	Fonction	Instructions
START (démarrer) (sur certains modèles)	Mode de mise en marche	La touche Start (démarrer) met en marche certaines fonctions du four. Si, après avoir appuyé sur une touche, on n'appuie pas sur Start dans les 2 minutes qui suivent, la fonction est annulée et l'heure s'affiche.
CLEAN SELF CLEAN (nettoyage, autonettoyage) (sur certains modèles)	Programme d'autonettoyage	Voir la section "Programme d'autonettoyage".
TOOLS (outils) (sur certains modèles)	Fonction d'utilisation du four	La touche Tools (outils) permet de personnaliser le fonctionnement du four selon les préférences de l'utilisateur. Voir la section "Outils".
UPPER OVEN LOWER OVEN (four supérieur four inférieur) (sur certains modèles)	Sélection du four	Les touches du Upper Oven (four supérieur) et du Lower Oven (four inférieur) permettent de sélectionner le four à utiliser.

Panneau tactile

Le panneau tactile regroupe le menu de commande et les commandes des différentes fonctions. Le panneau tactile est très sensible, il suffit d'un léger toucher pour l'activer.

Pour plus d'information sur chaque commande, voir leurs sections respectives dans ce manuel.

Guide de bienvenue

Ceci apparaît sur l'affichage la première fois que le four est mis sous tension. Le Guide de bienvenue permet à l'utilisateur de régler le nouveau four.

Après chaque sélection, un signal sonore retentit. Appuyer sur le bouton Back (arrière) à tout moment pour revenir à l'écran précédent.

- Sélectionner la langue.
- Un nouvel écran d'accueil s'affichera. Bien le lire, puis appuyer sur Next (suivant).
- Régler l'horloge et le mode AM/PM ou 24 heures. Appuyer sur Next (suivant).
- Sélectionner Auto Sync (synchro auto) (en marche) ou Do Not Adjust (ne pas ajuster) (arrêt) pour régler l'heure avancée. Appuyer sur Next (suivant).
- Régler la date. Appuyer sur Next (suivant).
- Sélectionner l'unité de température FAHRENHEIT ou CELSIUS. Appuyer sur Next (suivant).
- Choisir le thème de l'horloge. Appuyer sur Next (suivant), puis choisir le fond souhaité. Appuyer sur Save (sauvegarder).
REMARQUE : Ceci est l'arrière-plan pour l'affichage d'appui du centre.
- Sélectionner CONNECTER pour connecter votre appareil au réseau Wi-Fi. Consulter le guide de connexion Wi-Fi pour plus de renseignements.

OU

Appuyer sur Skip (passer) pour poursuivre à la prochaine étape et terminer les réglages.

Affichage

L'affichage est pour le menu et les commandes de fonctionnement du four. L'écran tactile permet de faire défiler les menus du four. L'affichage est très sensible; il suffit d'un léger toucher pour l'activer et sélectionner les commandes.

Lorsque le four est utilisé, l'affichage indique l'horloge, le mode, la température du four, la minuterie de cuisine et la minuterie du four si réglée. Si la minuterie du four n'est pas réglée, on peut la régler à partir de cet écran.

Après environ 2 minutes d'inactivité, l'affichage passe au mode de veille et s'assombrit. Lorsque le four fonctionne, l'affichage reste lumineux.

Au cours de l'utilisation, l'affichage indique les menus et les sélections appropriées pour les options choisies.

Affichage du menu

Si le four est éteint, appuyer sur la touche de marche pour activer le menu. À partir de l'écran d'accueil, tous les programmes de cuisson automatique peuvent être activés; tous les programmes de cuisson manuels peuvent être réglés; les options peuvent être ajustées et les instructions, les directives de préparation et les conseils sont accessibles.

Démonstration de menu

⚠ AVERTISSEMENT

Risque d'empoisonnement alimentaire

Ne pas laisser des aliments dans un four plus d'une heure avant ou après la cuisson.

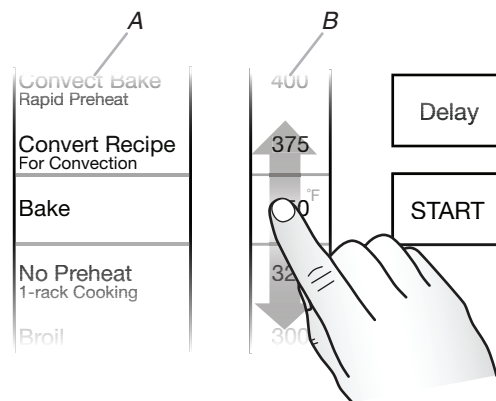
Le non-respect de cette instruction peut causer un empoisonnement alimentaire ou une maladie.

Pour les modèles de four double, appuyer sur la touche de four correspondante pour afficher les modes de cuisson et les températures pour le four désiré.

REMARQUE : Une ligne apparaît au-dessus des touches du four correspondant.

Pour les modèles de four simple, l'affichage indique les modes de cuisson et les températures lorsque le four est mis en marche.

Démonstration de cuisson



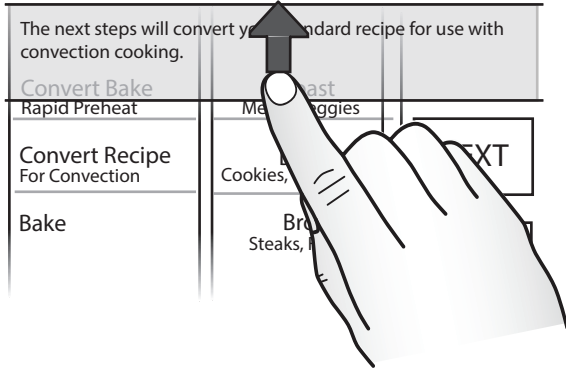
A. Colonne de modes

B. Colonne de températures

- À partir de la colonne de modes, appuyer sur Bake (cuisson au four).
- Dans la colonne de températures, sélectionner la température désirée. La température doit être comprise entre 170 °F et 550 °F (77°C et 288 °C).

- Appuyer sur START (démarrer) pour commencer le préchauffage.

Démonstration de message défilant



Il y a certains menus qui affichent un message défilant. Une fois le message lu, appuyer sur la flèche de direction et la faire glisser vers le haut pour faire disparaître le message.

Démonstration de la durée de cuisson (facultative)

REMARQUE : Dans certains modes de cuisson, l'utilisateur peut régler la durée de cuisson tandis que les autres modes ont des durées réglées.

Pour régler la durée de cuisson, suivre ces instructions.

En tout temps, appuyer sur Back (arrière) pour revenir à l'écran de sélection des modes de cuisson. Appuyer sur la touche Cancel (annuler) du four sélectionné pour annuler le programme en cours et retourner au menu principal.

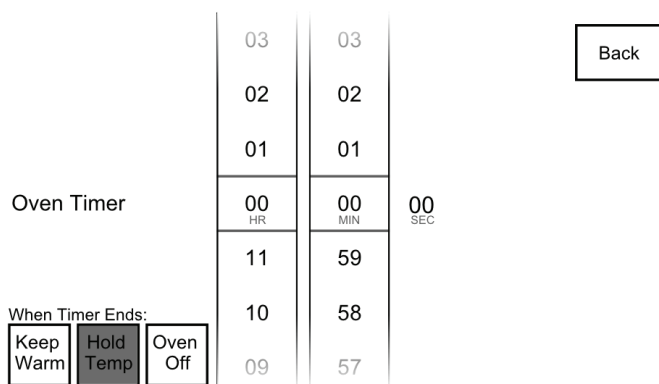
- Pour régler la minuterie de cuisson, commencer par démarrer un programme de cuisson.

REMARQUE : La durée de cuisson n'est visible que lorsque le programme de cuisson est activé.

- Appuyer sur Oven Timer (minuterie du four). Régler la durée de cuisson.
- Appuyer sur START (démarrer) pour mettre en marche la minuterie.

OU

Sélectionner l'action "Une fois la minuterie terminée" désirée, puis appuyer sur START (démarrer). L'action par défaut est Mntnir chaud (maintien au chaud).

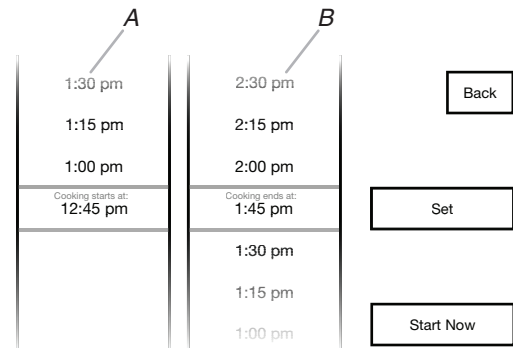


- Le réglage Keep Warm (maintenir chaud) abaisse la température du four à 170 °F (77 °C) après que le temps de cuisson s'est écoulé.
- Mntnir temp. (maintenir la température) maintient la température du four réglée après que le temps de cuisson s'est écoulé.
- Éteint Four éteint le four une fois que le temps de cuisson s'est écoulé.

Démonstration de la Mise en marche différée (facultative)

- Pour régler le démarrage différé et l'heure d'arrêt, sélectionner le mode de cuisson et la température désirés, puis appuyer sur DIFFÉRER.

REMARQUE : L'heure de mise en marche de la cuisson commence au plus près du quart d'heure (0:00, 0:15, 0:30 et 0:45). L'heure de cuisson inclut le temps de préchauffage du four. Régler les heures de mise en marche et d'arrêt de cuisson au besoin.



A. Colonne d'heures de mise en marche de cuisson

B. Colonne d'heures d'arrêt de cuisson

- Sélectionner l'heure de départ de la cuisson dans la colonne d'heures de mise en marche de cuisson. L'heure du four ne peut pas être différée de plus de 11 heures et 45 minutes.
- Sélectionner l'heure de fin de la cuisson dans la colonne d'heures d'arrêt de cuisson. La durée de cuisson ne peut dépasser 12 heures.
- Appuyer sur Set (réglage) une fois terminé ou sur Back (arrière) pour revenir au menu principal.

Le four commence le préchauffage lorsque l'heure de mise en marche est atteinte. Une fois la fin de la durée est atteinte, le mode Mntnir temp. (maintenir la température) s'active par défaut.

OU

Appuyer sur Démarrer maintenant. (démarrer maintenant) pour mettre en marche le four à partir de l'écran de mise en marche différée. Ceci permettra de régler la minuterie du four, mais ne différera pas l'heure de mise en marche.

REMARQUE : Ne pas utiliser la mise en marche différée pour des aliments nécessitant le préchauffage du four, comme les gâteaux, les biscuits et le pain. Si l'on place les aliments dans le four durant le préchauffage, ils pourraient être trop cuits.

- Pour changer le mode de cuisson ou la température lorsque le four est en mode de préchauffage ou en mode de mise en marche différée, appuyer sur la touche de mode de cuisson, choisir la nouvelle sélection, puis appuyer sur Set (réglage).
- Appuyer sur la touche Cancel (annuler) du four sélectionné à tout moment pour annuler le programme en cours et retourner au menu principal.

Modes de cuisson

Les étapes précédentes peuvent être utilisées pour les modes de cuisson suivants :

Mode	Temps. Portée	Temp. par défaut
Cuisson par convection de pizza surgelée	300 °F à 500 °F (149 °C à 260 °C)	375 °F (191 °C)
Cuisson de pâtisseries par convection	170 °F à 550 °F (77 °C à 288 °C)	325 °F (163 °C)
Rôtissage lent par convection, 12 heures	190 °F à 225 °F (88 °C à 107 °C)	200 °F (93 °C)
Rôtissage lent par convection, 8 heures	200 °F à 250 °F (93 °C à 121 °C)	225 °F (107 °C)
Rôtissage lent par convection, 4 heures	250 °F à 300 °F (121 °C à 149 °C)	275 °F (135 °C)
Conv. véritable	170 °F à 550 °F (77 °C à 288 °C)	325 °F (163 °C)
Rôtissage par convection	170 °F à 550 °F (77 °C à 288 °C)	350 °F (177 °C)
Cuisson au gril par convection	450 °F à 550 °F (232 °C à 288 °C)	550 °F (288 °C)
Cuisson au four par convection	170 °F à 550 °F (77 °C à 288 °C)	325 °F (163 °C)
Cuisson au four par convection – Réchauffage rapide	170 °F à 550 °F (77 °C à 288 °C)	325 °F (163 °C)
Cuisson au four	170 °F à 550 °F (77 °C à 288 °C)	350 °F (177 °C)
Cuisson sans préchauffage sur 1 grille	170 °F à 550 °F (77 °C à 288 °C)	350 °F (177 °C)
Cuisson au gril	450 °F à 550 °F (232 °C à 288 °C)	550 °F (288 °C)
Maintenir la température	150 °F à 200 °F (66 °C à 93 °C)	170 °F (77 °C)
Levée rapide	110 °F (43 °C)	110 °F (43 °C)
Levée	100 °F (38 °C)	100 °F (38 °C)

REMARQUE : Pour utiliser la mise en marche différée pour les programmes Convertir recette, Cuisson avec sonde et Mes créations, suivre les instructions à l'écran jusqu'à ce que le clavier de cuisson différée apparaisse. Les étapes précédentes peuvent ensuite être utilisées.

Minuterie de cuisine

La minuterie de la cuisinière peut être réglée en heures, en minutes et en secondes et procède à un compte à rebours de la durée réglée.

REMARQUE : La minuterie de cuisine ne met pas en marche le four et ne l'éteint pas.

Tons/Sons

Les signaux sonores avertissent l'utilisateur de divers événements :

- Touche numérique valide
- Saisie d'une fonction
- Four préchauffé
- Touche numérique invalide
- Fin d'un programme de cuisson
- Lorsque la minuterie est à zéro
Comprend l'utilisation de la minuterie de cuisine pour des fonctions autres que la cuisson
- Premier élément du four activé en mode de cuisson

Tools (outils)

La touche Tools (outils) permet d'accéder aux fonctions et aux options pour personnaliser dans les commandes électroniques du four. Ces outils permettent de régler l'horloge, d'alterner entre unités Fahrenheit et Celsius pour la température du four, d'activer ou de désactiver les signaux sonores et les messages, de régler le calibrage du four, de choisir la langue et plus. Pour obtenir plus de renseignements sur les réglages, appuyer sur cette sélection, puis sur la touche de conseils.

Le mode Sabbath peut également être programmé en utilisant la touche Tools (outils).

Mode	Sélections disponibles
Sabbat	<ul style="list-style-type: none"> ■ Marche ■ Désactiver (par défaut)
Mode de démonstration	<ul style="list-style-type: none"> ■ Marche ■ Désactiver (par défaut)
Unités de température	<ul style="list-style-type: none"> ■ Celsius* ■ Fahrenheit*
Langue	<ul style="list-style-type: none"> ■ Français* ■ English*
Affichage activé/désactivé	<ul style="list-style-type: none"> ■ Affichage désactivé ■ Affichage sombre (par défaut)
Horloge activée/désactivée	<ul style="list-style-type: none"> ■ Horloge désactivée ■ Horloge activée (par défaut)
Luminosité	<ul style="list-style-type: none"> ■ Max ■ Élevée ■ Moy (par défaut) ■ Bas ■ Sombre
Volume Sonore	<ul style="list-style-type: none"> ■ Appui sur une touche (max/élevé/med (par défaut)/faible/désactivé) ■ Minuterie et alerte (max/élevée/med (par défaut)/faible/désactivé) ■ Marche ou arrêt de l'alimentation (désactivé/activé (par défaut))

Mode	Sélections disponibles
Thème de l'horloge	<ul style="list-style-type: none"> ■ Textures* ■ Fête* ■ Gastronomer* ■ Horloge uniquement* ■ Animation* ■ Printemps* ■ Été* ■ Automne* ■ Hiver*
Heure et date	<ul style="list-style-type: none"> ■ Heure avancée (ne pas régler/synchro auto)* ■ Style de l'horloge (numérique/analogique (par défaut)) ■ Réglage de l'horloge ■ Réglage de la date
Caractéristiques sans-fil	<ul style="list-style-type: none"> ■ Activer WiFi
Autonettoyage	<ul style="list-style-type: none"> ■ Intense 5 h ■ Moyenne 4 h ■ Faible 3 h
Verrouillage des commandes	<ul style="list-style-type: none"> ■ Verrouillage
Entrée de chiffres	<ul style="list-style-type: none"> ■ Pavé num ■ Défilement (par défaut)
Sonde	<ul style="list-style-type: none"> ■ Rôtissage par convection ■ Cuisson au four par convection ■ Guide des aliments ■ Cuisson au four
Calib temp	<ul style="list-style-type: none"> ■ +35 °F à -35 °F ■ +20 °C à -20 °C
REMARQUE : Pour les modèles de fours doubles, une calibration pour le haut et pour le bas est disponible.	
Calib tactile	<ul style="list-style-type: none"> ■ Pour calibrer l'écran tactile
Info dépannage	<ul style="list-style-type: none"> ■ Numéro de modèle, numéro de série et coordonnées
Mentions légales	<ul style="list-style-type: none"> ■ Info de licence
Restaurer param. par défaut	<ul style="list-style-type: none"> ■ Restauration du paramétrage d'usine par défaut.

* Les paramètres par défaut de ces réglages sont situés sur l'écran d'accueil.

Verrouillage des commandes

Le verrouillage des commandes désactive les touches du tableau de commande pour éviter l'utilisation involontaire des fours. Si le verrouillage des commandes a été réglé avant une panne de courant, la fonction reste activée après cette panne de courant. Lorsque le tableau de commande est verrouillé, seule la touche de mise sous/hors tension fonctionne.

Le verrouillage des commandes est pré-réglé désactivé, mais peut être activé.

Pour activer le verrouillage des commandes :

- Appuyer sur TOOLS (outils), puis sélectionner VERROUILLAGE DES COMMANDES.
- Appuyer sur VERROUILLAGE pour activer le mode Verrouillage des commandes.

REMARQUE : L'écran tactile revient au mode veille et un message de commande verrouillée s'affiche.

Pour désactiver le verrouillage des commandes :

- Appuyer sur la touche Mise sous/hors tension, puis suivre les instructions à l'écran.

REMARQUE : Le four génère une séquence de formes aléatoires qui doivent être appuyées en ordre selon l'affichage à l'écran.

Commande de la température du four

IMPORTANT : Ne pas utiliser de thermomètre pour mesurer la température du four. Les éléments chauffants s'allument et s'éteignent en alternance pour maintenir une température constante, mais leur température peut varier légèrement dans un sens ou dans l'autre du fait de cette alternance. L'ouverture de la porte du four affecte la mise en marche alternée des éléments et influence la température.

Le four fournit des températures précises et a été testé avec soin à l'usine. Toutefois, il peut cuire plus rapidement ou plus lentement que votre four précédent, et ainsi entraîner des différences de cuisson ou de brunissage. Si nécessaire, le calibrage de la température peut se régler en degrés Fahrenheit ou Celsius.

Sur les modèles de fours doubles, le four supérieur et le four inférieur peuvent chacun être calibrés indépendamment.

Un signe moins signifie que le four sera plus froid du nombre de degrés affiché. L'absence de signe moins signifie que le four sera plus chaud du nombre de degrés affiché. Utiliser le tableau suivant comme guide.

REMARQUE : Cet affichage se poursuit pour indiquer la température du réglage d'origine, il n'indiquera pas le décalage de calibration. Par exemple, si la température a été réglée à 350 °F (177 °C) et calibrée à -20°, la température affichée sera toujours 350 °F (177 °C).

Réglage en °F (changement automatique en °C)	Cuit les aliments
10 °F (6 °C)	un peu plus
20 °F (12 °C)	modérément plus
30 °F (18 °C)	beaucoup plus
0 °F (0 °C)	réglage par défaut
-10 °F (-6 °C)	un peu moins
-20 °F (-12 °C)	modérément moins
-30 °F (-18 °C)	beaucoup moins

Mode Sabbat

Le mode Sabbat permet au four de rester sur un réglage de cuisson au four jusqu'à ce qu'on l'éteigne. Un mode Sabbat minuté peut également être programmé pour garder le four allumé seulement pendant une partie du mode Sabbat.

Lorsque le mode Sabbat est programmé, les touches actives sont la touche Mise sous/hors tension et les touches Cancel (annulation).

Lorsque la porte du four est ouverte ou fermée, la lampe du four ne s'allume ou ne s'éteint pas et les éléments de chauffage ne s'allument ou ne s'éteignent pas immédiatement.

Si une panne de courant de moins de 1 seconde se produit lorsque le mode Sabbat est programmé, le four restera au mode Sabbat et poursuivra la cuisson.

Si une panne de courant d'une durée supérieure à quelques secondes se produit, le four retournera à un état inactif et le mode Sabbat ne sera plus actif. Pour les modèles de fours doubles, les températures et les minuteries de cuisson du four supérieur et du four inférieur peuvent être réglées indépendamment. Si une minuterie de cuisson est réglée, le compte à rebours n'apparaît pas. La minuterie apparaît fixe au temps réglé.

REMARQUE : S'assurer d'éteindre le téléphone intelligent avant le Sabbat et les vacances. Si le téléphone est allumé et que l'application de commande du four est installée, les changements du four s'affichent sur le téléphone.

Activation :

1. Appuyer sur la touche Mise sous/hors tension, puis appuyer sur TOOLS (outils).
2. Sélectionner SABBATH (sabbat), puis appuyer sur Next (suivant).
3. Appuyer sur On (activer), puis appuyer sur Setup (réglage).
REMARQUE : L'état programmé du ou des fours s'affiche.
4. Appuyer sur Change (changement).
5. Pour les fours simples, passer à l'étape 6. Pour les fours doubles, sélectionner le four désiré, puis appuyer sur Next (suivant).
6. Sélectionner la température du four désiré et appuyer sur Next (suivant).
(Facultatif) Régler le temps de cuisson (0 h) et appuyer sur Set (réglage).

OU

- Appuyer sur Skip Timer (passer la minuterie).
7. Pour les fours simples, appuyer sur START (démarrage). Pour les fours doubles, appuyer sur START (démarrage) pour commencer le mode Sabbat ou appuyer sur CHANGEMENT pour modifier la programmation actuelle ou pour programmer l'autre four.

Désactivation :

Une fois activé, le mode Sabbat peut être désactivé pour toutes les cavités. Il suffit d'appuyer sur la touche Mise en marche/arrêt de l'alimentation.

Pour les fours simples, le mode Sabbat peut également être désactivé en appuyant sur OVEN CANCEL (annulation).

Pour les fours doubles, si les deux fours fonctionnent, appuyer sur la touche CANCEL (annulation) d'un four pour annuler le mode des deux fours et pour éteindre le four sélectionné. L'autre four revient au mode de cuisson régulier.

Cuisson au four différée en mode Sabbat :

AVERTISSEMENT

Risque d'empoisonnement alimentaire

Ne pas laisser des aliments dans un four plus d'une heure avant ou après la cuisson.

Le non-respect de cette instruction peut causer un empoisonnement alimentaire ou une maladie.

Pour les modèles de fours doubles, les températures et les minuteries de cuisson du four supérieur et du four inférieur peuvent être réglées indépendamment.

Si une minuterie de cuisson est réglée, le compte à rebours n'apparaît pas. La minuterie apparaît fixe au temps réglé.

Activation :

1. Appuyer sur la touche Mise sous/hors tension, puis appuyer sur TOOLS (outils).
2. Sélectionner SABBATH (sabbat), puis appuyer sur Next (suivant).
3. Appuyer sur On (activer), puis appuyer sur Set (réglage).
REMARQUE : L'état programmé du ou des fours s'affiche.
4. Appuyer sur Change (changement).
5. Pour les fours simples, passer à l'étape 6. Pour les fours doubles, sélectionner le four désiré, puis appuyer sur Next (suivant).
6. Sélectionner la température du four désiré et appuyer sur Next (suivant).
7. (Facultatif) Régler le temps de cuisson (0 h) et appuyer sur Set (réglage).

OU

- Appuyer sur Skip Timer (passer la minuterie).
8. Appuyer sur Delay (différer) et régler l'heure de "Mise en marche de cuisson à" et l'heure "d'Arrêt de cuisson à".
REMARQUE : Si une heure de cuisson est réglée dans les étapes précédentes, l'heure "d'Arrêt de cuisson à" est calculée basée sur l'heure de cuisson. Si la minuterie n'est pas réglée, le mode Sabbat continuera à fonctionner jusqu'à ce qu'il soit annulé.
 9. Appuyer sur Set (réglage).

Une fois activé, le mode Sabbat peut être désactivé pour toutes les cavités. Il suffit d'appuyer sur la touche Mise en marche/arrêt de l'alimentation.

Changer la température

Les températures du four peuvent être modifiées en mode Sabbat en appuyant sur les boutons -25 °F (-5 °C) ou +25 °F (+5 °C). Appuyer sur ces boutons n'effectuera aucune modification à l'écran et aucun signal sonore ne retentira.

Par exemple, appuyer sur le bouton +25 °F (+5 °C) 3 fois augmente la température de la cavité du four de +75 °F (+15 °C); toutefois, la température réglée de la cavité du four restera à l'écran.

REMARQUE : Pour les modèles à double four, la température de la cavité du four peut être réglée individuellement.

Utilisation au four

Des odeurs et de la fumée sont normales lorsque le four est utilisé les premières fois et lorsqu'il est très sale.

Lors de l'utilisation du four, les éléments de chauffage ne sont pas actifs, mais fonctionnent par intermittence lors du fonctionnement du four.

IMPORTANT : La santé de certains oiseaux est très sensible aux émanations de fumée. L'exposition aux émanations peut entraîner la mort de certains oiseaux. Toujours déplacer les oiseaux dans une autre pièce fermée et bien aérée.

Si la porte du four est ouverte pendant un mode de cuisson pendant environ 60 secondes, le ventilateur de refroidissement commence à fonctionner à une plus grande vitesse. Il peut produire plus de bruit pendant cette période. Lorsque la porte du four est fermée, le ventilateur reprendra sa basse vitesse après environ 60 secondes.

Connexion Wi-Fi

AVERTISSEMENT

Risque d'empoisonnement alimentaire

Ne pas laisser des aliments dans un four plus d'une heure avant ou après la cuisson.

Le non-respect de cette instruction peut causer un empoisonnement alimentaire ou une maladie.

Le four comporte une connectivité Wi-Fi intégrée. Pour qu'elle fonctionne, il suffit de la joindre au réseau domestique sans fil. Pour de l'information concernant le réglage de la connectivité, son activation ou sa désactivation, la réception des notifications importantes et se profiter des caractéristiques disponibles, se référer au Guide de démarrage rapide de la connectivité Wi-Fi du four qui est inclus avec l'appareil.

Une fois le processus d'installation terminé pour la connectivité Wi-Fi, l'accès aux caractéristiques donnera une nouvelle liberté à la cuisson. Les caractéristiques disponibles peuvent varier selon les mises à jour du microprogramme.

Vue

- Minuteries de cuisson
- Verrouillage des commandes
- Minuteries de cuisine
- État de la sonde de viande
- État de mise en marche à distance

Commande

- Éteindre le four
- Régler la minuterie de cuisine
- Régler la lampe du four
- Verrouillage des commandes du four
- Commandes de mise en marche du four
- Modifier les réglages de cuisson
- Centre culinaire
- Mes créations

Notifications à distance

Une fois la connectivité Wi-Fi établie, les notifications d'état peuvent être envoyées par courriel et messagerie texte. Les notifications envoyées peuvent être les suivantes :

- Interruptions du programme du four
- Préchauffage terminé
- Minuterie de cuisson terminée
- Changement de température de cuisson
- Progression de la température de préchauffage
- Changement de température de la sonde de viande
- Température de la sonde de viande atteinte
- Mode de cuisson modifiée
- Changement d'état de verrouillage des commandes
- Minuterie de cuisine terminée
- Changement de minuterie de cuisine
- Autonettoyage terminé
- Interruptions du centre culinaire

Papier d'aluminium

IMPORTANT : Pour éviter des dommages permanents au fini du fond du four, ne pas recouvrir le fond avec du papier d'aluminium ou un revêtement quelconque.

- Pour obtenir les meilleurs résultats de cuisson, ne pas couvrir entièrement la grille d'aluminium, car l'air doit pouvoir circuler librement.
- Pour récupérer les renversements, placer du papier d'aluminium sur la grille sous le plat. S'assurer que l'aluminium est au moins 1/2" (13 mm) plus grand que le plat et que les bords sont relevés.

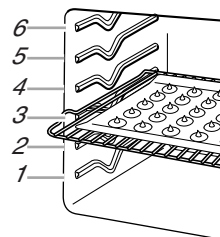
Position des grilles et des ustensiles de cuisson au four

IMPORTANT : Afin d'éviter des dommages permanents au fini en porcelaine, ne pas placer d'aliments ou d'ustensiles de cuisson au four directement sur la porte ou sur le fond du four.

Grilles

- Placer les grilles avant d'allumer le four.
- Ne pas installer les grilles lorsque des ustensiles de cuisson au four se trouvent dessus.
- S'assurer que les grilles sont horizontales.

Pour déplacer une grille, la tirer jusqu'à la butée d'arrêt, soulever le rebord avant et la tirer pour la sortir du four. Se servir de l'illustration et du tableau suivants comme guide.



Positionnement des grilles et des ustensiles de cuisson au four

Positions de grille — Four supérieur et inférieur

REMARQUE : À moins d'être indiquée avec un "ro" (grille déployante), toutes positions suggérées sont pour les grilles plates.

Cuisson au gril

Aliment	Position de grille
Pour la plupart des cuissons au gril	6

Pour qu'une galette à hamburger soit bien saisie à l'extérieur tout en restant bien tendre à l'intérieur, utiliser une grille plate en position 6. On doit cuire le 1^{er} côté pendant environ 3 minutes. La cuisson du 2^e côté devrait prendre entre 3 et 4 minutes. Une légère fumée peut se dégager durant la cuisson au gril.

Cuisson traditionnelle

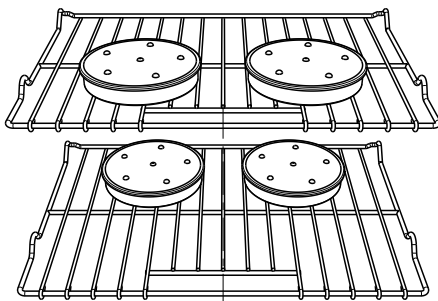
Aliment	Position de grille
Gros rôtis, dindes, gâteaux des anges, gâteaux Bundt, pains éclairs, tartes	1 ou 2
Pains à la levure, mets en sauce, viande, volaille	2
Biscuits, muffins et gâteaux	2 ou 3 pour une cuisson au four sur une seule grille; 2 et 5 pour une cuisson au four sur plusieurs grilles

Cuisson par convection

Réglage du four	Nombre de grilles utilisées	Position des grilles
Cuisson au four avec préchauffage rapide	1	3
Cuisson au four par convection avec préchauffage rapide	1	3
Cuisson au four par convection	1	1, 2 ou 3
Cuisson au four par convection	2	2 et 5
Cuisson au four par convection	3	1, 3 et 5
Rôtissage par convection	1	1 ou 2
Cuisson au gril par convection	1	4, 5 ou 6

Cuisson au four de gâteaux sur deux grilles

Pour des résultats optimaux lors de la cuisson au four de gâteaux sur deux grilles, utiliser la fonction cuisson au four et les grilles plates en positions 2 et 5. Placer les gâteaux sur les grilles comme indiqué. Prévoir un espace d'au moins 2" (5 cm) entre le bord avant des grilles et le bord avant des gâteaux.



Cuisson au four de biscuits sur deux grilles

Pour des résultats optimaux lors de la cuisson au four de biscuits sur deux grilles, utiliser la fonction cuisson au four par convection et placer les grilles plates en positions 2 et 5.

Ustensiles de cuisson

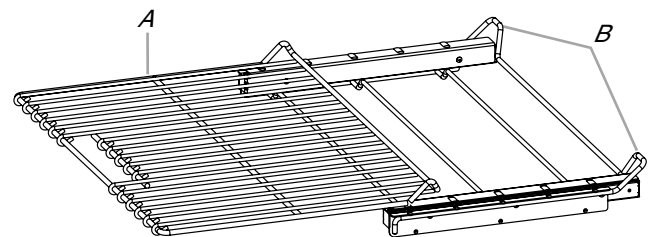
L'air chaud doit pouvoir circuler autour de l'aliment pour le cuire uniformément. Pour de meilleurs résultats, laisser un espace de 2" (5 cm) entre les ustensiles de cuisson et les parois du four. Utiliser le tableau suivant comme guide.

Nombre d'ustensiles	Position sur la grille
1	Centre de la grille
2	Côte à côte ou légèrement décalés
3 ou 4	Voir les illustrations de position de grille dans cette section pour connaître le positionnement recommandé pour les plats.

Grille coulissante déployante

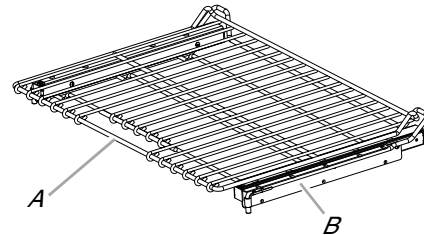
La grille déployante offre un accès facile à l'utilisateur pour le positionnement et le retrait des aliments. Elle peut être utilisées sur les positions de grille 1 à 6.

Position déployée



A. Grille déployante
B. Support coulissant

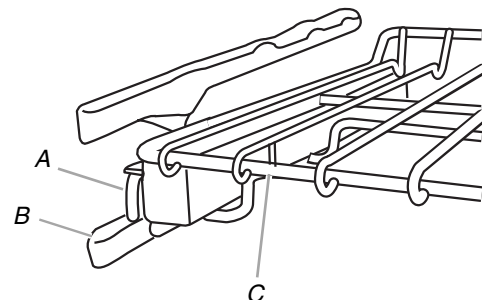
Position rétractée et emboîtée



A. Grille déployante
B. Support coulissant

Retrait de la grille déployante :

1. Enfoncer la grille complètement en la faisant glisser jusqu'à ce qu'elle soit rétractée et emboîtée sur le support coulissant.
2. À deux mains, soulever l'avant de la grille et pousser le support coulissant vers la paroi arrière du four jusqu'à ce qu'il repose sur les rails pour grille. L'avant de la grille et du support coulissant doivent se trouver plus haut que l'arrière.



A. Support coulissant
B. Rail pour grille
C. Grille déployante

3. Retirer la grille et le support coulissant.

Réinstallation de la grille déployante :

1. À deux mains, saisir l'avant de la grille rétractée et du support coulissant. Placer la grille rétractée et le support coulissant sur le rail pour grille.
2. À deux mains, soulever l'avant de la grille et du support coulissant en même temps.
3. Pousser lentement la grille et le support coulissant vers l'arrière du four jusqu'à ce que l'arrière de la grille chevauche l'extrémité du rail pour grille.

Afin d'éviter d'endommager les supports coulissants, ne pas placer plus de 25 lb (11,4 kg) sur la grille.

Ne pas nettoyer la grille coulissante déployante au lave-vaisselle. Ceci pourrait enlever le lubrifiant de la grille et nuire à ses facultés de glissement.

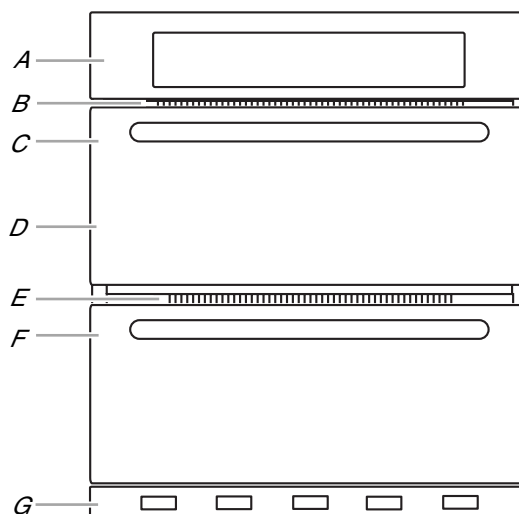
Voir la section "Nettoyage général" pour plus de renseignements.

Ustensiles de cuisson

Le matériau des ustensiles de cuisson affecte les résultats de cuisson. Suivre les recommandations du fabricant et utiliser le format d'ustensiles recommandé dans la recette. Utiliser le tableau suivant comme guide.

Ustensiles de cuisson/résultats	Recommandations
Aluminium légèrement coloré <ul style="list-style-type: none"> ■ Croûtes légèrement dorées ■ Brunissage uniforme 	<ul style="list-style-type: none"> ■ Utiliser la température et la durée recommandées dans la recette
Aluminium foncé et autres ustensiles de cuisson avec fini foncé, terne ou antiadhésif <ul style="list-style-type: none"> ■ Croûtes brunes, croustillantes 	<ul style="list-style-type: none"> ■ Peut nécessiter de réduire légèrement les températures de cuisson au four ■ Utiliser la durée de cuisson suggérée ■ Pour les tartes, les pains et les mets en sauce, utiliser la température et la durée recommandées dans la recette ■ Placer la grille au centre du four
Tôles à biscuits ou moules à cuisson à isolation thermique <ul style="list-style-type: none"> ■ Brunissage faible ou non existant à la base 	<ul style="list-style-type: none"> ■ Suivre les recommandations de positionnement de grille dans la section "Positionnement des grilles et ustensiles de cuisson au four" ■ Peut nécessiter d'augmenter la durée de cuisson
Acier inoxydable <ul style="list-style-type: none"> ■ Croûtes légèrement dorées ■ Brunissage irrégulier 	<ul style="list-style-type: none"> ■ Peut nécessiter d'augmenter la durée de cuisson
Grès/pierre de cuisson <ul style="list-style-type: none"> ■ Croûtes croustillantes 	<ul style="list-style-type: none"> ■ Suivre les instructions du fabricant
Plats en verre, vitrocéramique ou céramique <ul style="list-style-type: none"> ■ Croûtes brunes, croustillantes 	<ul style="list-style-type: none"> ■ Peut nécessiter de réduire légèrement les températures de cuisson au four

Événements du four



Four simple et double	Four double
A. Tableau de commande	D. Four supérieur
B. Événement du four	E. Événement du four
C. Four simple ou four double supérieur	F. Four inférieur
G. Événement inférieur	G. Événement inférieur

Les événements du four ne doivent être ni obstrués ni couverts, car ils permettent l'introduction d'air frais dans le système de refroidissement. En outre, l'événement inférieur ne doit être ni obstrué ni couvert, car il permet l'introduction d'air frais dans le système de refroidissement et l'évacuation de l'air chaud du système de refroidissement. Le fait d'obstruer ou de couvrir les événements nuit à la circulation adéquate de l'air et affecte les résultats de cuisson, de nettoyage et de refroidissement.

Préchauffage et température du four

Préchauffage

Au début d'un programme de cuisson au four ou de cuisson au four avec convection, le four commence par un préchauffage une fois la touche Start (démarrer) enfoncée. Le four atteint 350 °F (177 °C) en 12 à 17 minutes environ lorsque toutes les grilles fournies avec le four sont à l'intérieur de la cavité du four. Pour atteindre une température plus élevée, le préchauffage est plus long. Le programme de préchauffage augmente rapidement la température du four. La température réelle du four dépasse alors la température programmée, pour compenser la chaleur perdue à l'ouverture du four pour y introduire le plat à cuire. Ainsi, le four entame la cuisson à la température correcte après y avoir placé le plat. Placer les aliments au four lorsque le signal sonore de préchauffage retentit. Ne pas ouvrir la porte du four pendant le préchauffage tant que le signal sonore n'a pas retenti.

REMARQUE : Si la minuterie de cuisson est réglée et que la porte du four est ouverte durant le préchauffage, la minuterie démarre automatiquement.

Température du four

En cours d'utilisation, les éléments chauffants du four s'allument et s'éteignent par intermittence pour maintenir une température constante. Ils peuvent chauffer ou refroidir légèrement à tout moment du fait de ce fonctionnement intermittent. L'ouverture de la porte du four en cours d'utilisation laisse échapper l'air chaud et refroidit le four, ce qui peut modifier la durée nécessaire et le résultat de la cuisson. Pour suivre l'avancement de la cuisson, il est conseillé d'utiliser l'éclairage du four.

Cuisson au four et rôtissage

IMPORTANT : Le ventilateur de convection et l'élément de convection peuvent se mettre en marche durant la fonction de cuisson au four pour améliorer la performance et la distribution de chaleur.

Le four atteint 350 °F (177 °C) en 12 à 17 minutes environ lorsque toutes les grilles du four sont à l'intérieur de la cavité. Le programme de préchauffage augmente rapidement la température à l'intérieur de la cavité du four. Pour atteindre une température plus élevée, le préchauffage est plus long. Les facteurs qui peuvent influencer la durée de préchauffage incluent la température ambiante, la température du four et le nombre de grilles installées. Pour réduire la durée de préchauffage, on peut retirer les grilles inutilisées avant de préchauffer le four. La température réelle du four dépasse alors la température programmée, pour compenser la chaleur perdue à l'ouverture du four pour y introduire le plat à cuire. Ainsi, le four entame la cuisson à la température correcte après y avoir placé le plat. Placer les aliments au four lorsque le signal sonore de préchauffage retentit. Ne pas ouvrir la porte du four pendant le préchauffage tant que le signal sonore n'a pas retenti.

Durant la cuisson au four ou le rôtissage, les éléments de cuisson au four et de cuisson au gril s'allument et s'éteignent par intermittence afin de maintenir la température du four.

Selon le modèle, si la porte du four est ouverte pendant la cuisson au four ou le rôtissage, les éléments chauffants (cuisson au four et au gril) s'éteignent environ 30 secondes après l'ouverture de la porte. Ils se mettront de nouveau en marche environ 30 secondes après la fermeture de la porte.

Cuisson au gril

La cuisson au gril utilise la chaleur radiante directe pour cuire les aliments.

L'élément s'allume et s'éteint par intermittence pour maintenir la température du four.

REMARQUE : Aucun préchauffage n'est requis pour la fonction Cuisson au gril.

IMPORTANT : Fermer la porte pour une température de cuisson au gril adéquate.

Si la porte du four est ouverte pendant la cuisson au gril, l'élément de cuisson au gril s'éteint au bout d'environ 30 secondes. Lorsque la porte du four est refermée, les éléments sont réactivés environ 30 secondes plus tard.

- Pour de meilleurs résultats, utiliser une lèchefrite et une grille. La grille est conçue pour laisser s'écouler les jus et aider à éviter les éclaboussures et la fumée.
- Pour que l'écoulement puisse se faire correctement, ne pas recouvrir la grille de papier d'aluminium. Le fond de la lèchefrite peut être garni de papier d'aluminium pour en faciliter le nettoyage.
- Enlever l'excès de graisse pour réduire les éclaboussures. Entailler le gras résiduel sur les côtés pour éviter que la viande ne se recroqueville.
- Sortir la grille jusqu'à la butée d'arrêt avant de tourner ou d'enlever les aliments. Utiliser une pince pour tourner les aliments et éviter la perte de jus. Il est possible qu'il ne soit pas nécessaire de tourner les coupes très minces de poisson, de volaille ou de viande.
- Après la cuisson au gril, sortir la lèchefrite du four en même temps que l'aliment. Les jus de cuisson cuiront sur la lèchefrite si on la laisse dans le four encore chaud et rendront le nettoyage plus difficile.

Convection

Dans un four à convection, l'air chaud déplacé par ventilateur distribue la chaleur d'une manière plus uniforme. Ce déplacement de l'air chaud aide à maintenir une température uniforme dans tout le four, permettant ainsi de cuire les aliments plus uniformément tout en conservant leur humidité naturelle à l'intérieur.

On peut cuire la plupart des aliments au mode de cuisson au four par convection en baissant la température de cuisson de 25 °F (14 °C). La durée de cuisson peut être considérablement réduite lorsqu'on utilise le rôtissage par convection, surtout pour les grosses dindes et les rôtis.

- Il est important de ne pas couvrir les aliments avec des couvercles ou du papier d'aluminium de telle sorte que la surface reste exposée au déplacement de l'air, permettant ainsi le brunissage et le croustillant.
- Éviter au maximum la perte de chaleur en ouvrant la porte du four seulement lorsque c'est nécessaire. Pour suivre l'avancement de la cuisson, il est conseillé d'utiliser l'éclairage du four.
- Choisir des tôles à biscuits sans bords et des plats de rôtissage à contour plus bas pour permettre à l'air de circuler librement autour de l'aliment.
- Vérifier la cuisson des produits de boulangerie quelques minutes avant le temps de cuisson minimal, avec un cure-dents par exemple.
- Utiliser un thermomètre à viande ou la sonde thermométrique pour déterminer le degré de cuisson des viandes et de la volaille. Vérifier la température du porc et de la volaille à 2 ou 3 endroits.

Cuisson au four par convection

L'élément de convection est dissimulé dans le panneau arrière de la cavité du four et assisté par le ventilateur de convection pour assurer un chauffage efficace et équilibré.

La cuisson au four par convection peut être utilisée pour cuire des gâteaux délicats et des pâtisseries, ainsi que des aliments sur plusieurs grilles. Il est utile de décaler les articles sur les grilles pour permettre une circulation plus uniforme de la chaleur. Si le four est plein, il faudra peut-être allonger la durée de cuisson.

Lors de la cuisson au four d'un repas comportant plusieurs types différents d'aliments, veiller à choisir des recettes nécessitant des températures semblables. Prévoir un espace d'au moins 2" (5 cm) entre l'ustensile de cuisson et les parois du four.

Lors du préchauffage pour la cuisson au four par convection, les éléments de convection, de cuisson au four et de cuisson au gril chauffent la cavité du four. Après le préchauffage, ces éléments s'allument et s'éteignent par intermittence pour maintenir la température du four, tandis que le ventilateur fait circuler l'air chaud.

Si on ouvre la porte du four pendant la cuisson au four par convection, le ventilateur s'éteint immédiatement et il se met en marche dès que l'on referme la porte. Les éléments de cuisson par convection, de cuisson au four et de cuisson au gril s'éteignent environ 30 secondes après l'ouverture de la porte. Ils se mettront de nouveau en marche environ 30 secondes après la fermeture de la porte.

REMARQUE : Il est normal que le ventilateur de convection fonctionne durant les programmes sans cuisson par convection et durant le préchauffage.

- Réduire la température de la recette de 25 °F (14 °C). Le temps de cuisson devra peut-être aussi être réduit.

Cuisson au four par convection :

Avant la cuisson au four par convection, placer les grilles comme indiqué à la section "Positionnement des grilles et des ustensiles de cuisson".

Rôtissage par convection

Le rôtissage par convection est utilisé pour le rôtissage des viandes et de la volaille. Durant le rôtissage par convection, les éléments de cuisson au four, de cuisson au gril et cuisson par convection s'allument et s'éteignent par intermittence pour maintenir la température du four tandis que le ventilateur fait circuler l'air chaud.

Si on ouvre la porte du four pendant le rôtissage par convection, le ventilateur s'éteint immédiatement et il se met en marche dès que l'on referme la porte. Les éléments de cuisson au four, de cuisson au gril et de cuisson par convection s'éteignent environ 30 secondes après l'ouverture de la porte. Ils se mettront de nouveau en marche environ 30 secondes après la fermeture de la porte.

REMARQUE : Il est normal que le ventilateur de convection fonctionne durant les programmes sans cuisson par convection et durant le préchauffage.

Rôtissage par convection :

Avant le rôtissage par convection, placer les grilles comme indiqué à la section "Positionnement des grilles et des ustensiles de cuisson". Il n'est pas nécessaire de préchauffer le four avant d'y placer l'aliment, sauf si la recette le recommande.

Cuisson au gril par convection

Durant la cuisson au gril par convection, l'élément de cuisson au gril s'allume et s'éteint par intermittence pour maintenir le four à température constante tandis que le ventilateur fait circuler l'air chaud.

La température est préréglée à 550 °F (288 °C), mais elle peut être modifiée. Les durées de cuisson varient en fonction de la position de la grille et de la température et il peut être nécessaire de les ajuster.

Si on ouvre la porte du four pendant la cuisson au gril par convection, le ventilateur s'éteint immédiatement et il se met en marche dès que l'on referme la porte. Les éléments de cuisson au gril s'éteignent environ 30 secondes après l'ouverture de la porte. Ils se mettront de nouveau en marche environ 30 secondes après la fermeture de la porte.

REMARQUE : Il est normal que le ventilateur de convection fonctionne durant les programmes sans cuisson par convection et durant le préchauffage.

Cuisson au gril par convection :

Pour une performance idéale, laisser le four préchauffer pendant 5 minutes (aucune tonalité de préchauffage ne retentit). Placer l'aliment sur la grille non chauffée de la lèchefrite, puis placer celle-ci au centre de la grille du four, avec le côté le plus long de la lèchefrite parallèle à la porte du four.

Convertir la recette

1. Si le préchauffage n'est pas requis, placer les aliments dans le four et fermer la porte.
2. Appuyer sur la touche d'alimentation.
3. Sélectionner CONVERTIR LA RECETTE (POUR CONVECTION).
4. Choisir PÂTISSERIES, RÔTISSAGE, CUISSON AU FOUR OU GRIL pour convertir une recette traditionnelle au mode de cuisson par convection.
5. Appuyer sur Next (suivant).
6. Sélectionner la température de cuisson standard.
7. Appuyer sur Next (suivant).
8. Sélectionnez la durée de rôtissage, de cuisson au four ou de gril de la recette originale, puis toucher Set (réglage).

OU

Appuyer sur PASSER LA MINUTERIE pour passer à la prochaine étape.

9. Appuyer sur DÉMARRER. Si un préchauffage est requis, placer les aliments dans le four après que le signal sonore de préchauffage ait retenti. Le compte à rebours de la durée de cuisson s'affiche. Lorsque la minuterie est terminée, le four affichera "MINUTERIE TERMINÉE À XX:XX" (heure de la journée) et passera au maintien au chaud pour conserver le four chaud. Si activés, les signaux sonores de fin de programme se font entendre.

REMARQUE : Appuyer sur DIFFÉRER pour différer le programme de cuisson. Consulter la section "Cuisson minutée" pour régler les heures de mise en marche différée et de fin.

10. Appuyer sur la touche ANNULER du four sélectionné à tout moment pour annuler le programme en cours et retourner au menu principal.

Levée du pain

La levée du pain prépare la pâte pour la cuisson en activant la levure. Sauf indication contraire de la recette, il est recommandé de procéder à une double levée.

Pour faire lever la pâte :

Pour un meilleur rendement, s'assurer que la température de la cavité du four est inférieure à 120°F (49°C) avant de placer la pâte dans la cavité du four. Avant la première levée de pain, placer la pâte dans un bol légèrement graissé et couvrir sans serrer avec de la pellicule de plastique recouvert de graisse végétale ou d'enduit à cuisson antiadhésif. Placer le bol sur la grille en position 2. Voir la section "Positionnement des grilles et ustensiles de cuisson" pour le diagramme. Fermer la porte.

1. Sélectionner LEVÉE L'afficheur indiquera 100 °F (38 °C).
2. Appuyer sur DÉMARRER.

Laisser la pâte lever jusqu'à ce qu'elle ait presque doublé de volume. Vérifier après 20 à 25 minutes. La durée de levée du pain peut varier en fonction du type de pâte et de la quantité.

3. Appuyer sur la touche CANCEL (annulation) du four sélectionné à tout moment pour annuler le programme en cours et retourner au menu principal.

Avant la seconde levée, mettre la pâte en forme, la placer sur la plaque de cuisson et couvrir partiellement. Reprendre le même positionnement et vérifier que les étapes ci-dessus ont bien été suivies. Avant la cuisson au four, retirer le papier ciré ou la pellicule plastique.

Sonde thermométrique

La sonde thermométrique mesure précisément la température interne de la viande, de la volaille et des mets en sauce et doit être utilisée pour déterminer le degré de cuisson de la viande et de la volaille. La sonde thermométrique doit être utilisée uniquement avec les fonctions cuisson au four, cuisson au four par convection ou rôtissage par convection.

Toujours débrancher et retirer la sonde thermométrique du four lorsqu'on retire les aliments.

Avant de l'utiliser, insérer la sonde à l'intérieur de l'aliment. Pour les viandes, l'extrémité de la sonde doit se trouver au centre de la partie la plus épaisse de la viande et non dans le gras ou au contact d'un os. Placer les aliments dans le four et connecter la sonde thermométrique à la prise. Maintenir la sonde aussi loin que possible de la source de chaleur. Fermer la porte du four.

REMARQUE : On doit insérer la sonde thermométrique dans l'aliment avant de sélectionner le mode souhaité.

Pour utiliser (Rôtissage par convection, cuisson au four par convection ou cuisson au four) :

1. Sélectionner CUISSON AVEC SONDE.
2. Sélectionner le mode de cuisson désiré et appuyer sur Next (suivant).
3. Sélectionner la température du four désiré et appuyer sur Next (suivant).
4. Sélectionner la température des aliments désirée et appuyer sur Next (suivant).

5. Lire les instructions de cuisson.
6. Appuyer sur START (démarrer).

OU

Appuyer sur DELAY (différer) pour différer le programme de cuisson. Consulter la section “Cuisson minutée” pour régler les heures de mise en marche différée et de fin.

Utilisation : (Guide des aliments) :

1. Sélectionner PROBE COOK (cuisson avec sonde).
2. Sélectionner le FOOD GUIDE (guide des aliments), puis appuyer sur NEXT (suivant).
3. Sélectionner la catégorie d'aliments désirée.
4. Sélectionner le degré de cuisson selon le type d'aliments. Appuyer sur NEXT (suivant). Voir le tableau suivant pour les options de degré de cuisson.

Catégories d'aliment	Options de degré de cuisson
Jambon précuit	N.D.
Porc	<ul style="list-style-type: none"> ■ Moyenne ■ Bien cuit
Poulet	<ul style="list-style-type: none"> ■ Poitrine ■ Entier
Dinde	<ul style="list-style-type: none"> ■ Poitrine ■ Entier
Bœuf	<ul style="list-style-type: none"> ■ Mi-saignant ■ Moyenne ■ Bien cuit
Agneau	<ul style="list-style-type: none"> ■ Mi-saignant ■ Moyenne ■ Bien cuit
Veau	<ul style="list-style-type: none"> ■ Mi-saignant ■ Moyenne ■ Bien cuit

5. Sélectionner la température originale du four. Appuyer sur Next (suivant).
6. Lire les instructions de cuisson. Appuyer sur START (démarrer) pour commencer la cuisson.

REMARQUE :

- Selon la façon dont la sonde est fixée, une tonalité peut retentir et le four peut suggérer d'ajouter ou de retirer la sonde.
- Appuyer sur DELAY (différer) pour différer le programme de cuisson. Consulter la section “Cuisson minutée” pour régler les heures de mise en marche différée et de fin.

Mes créations

Mes créations permet de personnaliser les processus de cuisson. Lorsque l'on sélectionne Mes créations à partir du menu principal, une liste des créations existantes apparaît et la possibilité d'en créer d'autres est offerte.

Pour créer une nouvelle création

1. Sélectionner MY CREATIONS (mes créations).
2. Sélectionner CREATE NEW (créer nouvelle création), USE SAVED (utiliser création sauvegardée) ou DELETE/SAVE (supprimer/modifier). Appuyer sur Next (suivant).

REMARQUE : La première fois que MY CREATIONS (mes créations) est utilisé, seul créer nouvelle création s'affiche.

3. Sélectionner le mode de cuisson désiré.

REMARQUE : Mes créations ne peut pas être utilisé avec Convertir recette ou Cuisson avec sonde.

4. Sélectionner la température de cuisson souhaitée. Appuyer sur NEXT (suivant).
5. Choisir le mode de contrôle de la cuisson. Régler la minuterie (elle avertit l'utilisateur lorsque la durée d'une minuterie de cuisson est terminée), régler la sonde (elle avertit l'utilisateur lorsqu'une température de sonde de cuisson désirée est atteinte) ou aucun avertissement. Appuyer sur NEXT (suivant).

REMARQUE : La sonde ne peut être utilisée que pour la Cuisson au four, la Cuisson au four par convection et le Rôtissage par convection.

6. Si Aucune alerte est choisie, passer à l'étape 7.

OU

Si Régler la minuterie est choisie, régler le temps désiré. Appuyer sur SET (réglage).

OU

Si Régler la sonde est sélectionné, choisir la température cible interne de la sonde. Appuyer sur NEXT (suivant).

7. Passer en revue les réglages. Si une autre étape est nécessaire, appuyer sur Étape à ajouter, puis sur ADD (vide).

REMARQUE : Chaque étape appliquée affichera les informations suivantes : Mode, puissance/température et minuterie. Il est possible d'avoir 3 étapes. Pour mettre à jour une information, appuyer sur EDIT (modifier).

8. Saisir les informations à chaque étape, puis toucher SAVE (sauvegarder).
9. Nommer votre création en utilisant le clavier à l'écran. Appuyer sur SAVE (sauvegarder).
10. Appuyer sur START (démarrer) pour lancer le programme de cuisson de votre création.

OU

Appuyer sur DELAY (différer) pour différer le programme de cuisson. Consulter la section “Cuisson minutée” pour régler les heures de mise en marche différée et de fin.

Pour utiliser une création sauvegardée

1. Sélectionner MY CREATIONS (mes créations).
2. Sélectionner utiliser USE SAVED (création sauvegardée), puis toucher NEXT (suivant).
3. Sélectionner la cuisson désirée de la création, puis toucher START (démarrer) .

REMARQUE : Une invite peut s'afficher où l'on doit ouvrir puis fermer la porte avant que la création ne puisse démarrer la cuisson.

Pour supprimer une création

1. Sélectionner MY CREATIONS (mes créations).
2. Sélectionner DELETE/EDIT (supprimer/modifier), puis toucher Next (suivant).
3. Sélectionner la création à supprimer.
4. Appuyer sur SUPPRIMER.

Pour modifier une création.

1. Sélectionner MY CREATIONS (mes créations).
2. Sélectionner DELETE/EDIT (supprimer/modifier), puis toucher NEXT (suivant).
3. Sélectionner la création désirée, puis toucher EDIT (modifier).
4. Sélectionner l'étape à modifier et appuyer sur modifier.

REMARQUE : Si une étape est vide, il est possible d'appuyer sur VIDE pour ajouter une action à cette étape.

5. Sélectionner la température de cuisson souhaitée. Appuyer sur Next (suivant).
6. Choisir le mode de contrôle de la cuisson. Régler la minuterie (elle avertit l'utilisateur lorsque la durée d'une minuterie de cuisson est terminée), régler la sonde (elle avertit l'utilisateur lorsqu'une température de sonde de cuisson désirée est atteinte) ou aucun avertissement. Appuyer sur NEXT (suivant).

REMARQUE : La sonde ne peut être utilisée que pour la Cuisson au four, la Cuisson au four par convection et le Rôtissage par convection.

7. Si Aucune alerte est choisie, passer à l'étape 8.

OU

Si Régler la minuterie est choisie, régler le temps désiré. Appuyer sur SET (réglage).

OU

Si Régler la sonde est sélectionné, choisir la température cible interne de la sonde. Appuyer sur NEXT (suivant).

8. Passer en revue les réglages. Si une autre étape est nécessaire, appuyer sur Étape à ajouter, puis appuyer sur ADD (vide).

REMARQUE : Chaque étape appliquée affichera les informations suivantes : Mode, puissance/température et minuterie. Il est possible d'avoir 3 étapes. Pour mettre à jour une information, appuyer sur EDIT (modifier).

9. Saisir les informations à chaque étape, puis toucher SAVE (sauvegarder).
10. Nommer votre création en utilisant le clavier à l'écran. Appuyer sur SAVE (sauvegarder).
11. Appuyer sur START (démarrer) pour lancer le programme de cuisson de votre création.

OU

Appuyer sur DELAY (différer) pour différer le programme de cuisson. Consulter la section "Cuisson minutée" pour régler les heures de mise en marche différée et de fin.

Cuisson minutée

AVERTISSEMENT

Risque d'empoisonnement alimentaire

Ne pas laisser des aliments dans un four plus d'une heure avant ou après la cuisson.

Le non-respect de cette instruction peut causer un empoisonnement alimentaire ou une maladie.

La fonction de minuterie du four et la fonction de mise en marche différée permettent d'allumer le ou les fours à une certaine heure de la journée, d'effectuer une cuisson pendant une durée déterminée ou d'éteindre le four automatiquement. La mise en marche différée ne doit pas être utilisée pour les aliments tels que pains et gâteaux, car ils risquent de ne pas bien cuire.

Réglage de la minuterie du four :

La minuterie du four éteint le four sélectionné lorsque la durée réglée s'est écoulée. La durée maximale est 11 h 59 min.

REMARQUE : Pour les modèles de fours doubles, commencer par choisir le four du haut ou du bas sur le panneau de commande.

1. Sélectionner le mode de cuisson et la température du four, puis appuyer sur START (démarrer) .
2. Appuyer sur OVEN TIMER (minuterie du four) près du mode de cuisson et de la température affichés.
3. Régler la durée désirée pour la minuterie du four.

4. Appuyer sur START (démarrer).

OU

Appuyer sur l'une des touches du clavier une fois la minuterie expirée pour indiquer au four quoi faire une fois le temps écoulé. Choisir entre le maintien au chaud (par défaut), maintenir la température ou fermer le four. Appuyer sur START (démarrer).

- Le réglage Mntien chaud (maintenir chaud) abaisse la température du four à 170 °F (77 °C) après que le temps de cuisson s'est écoulé.
- Mntnir temp. (maintenir la température) maintient la température du four réglée après que le temps de cuisson s'est écoulé.
- Éteint Four éteint le four une fois que le temps de cuisson s'est écoulé.

Une fois que la minuterie du four s'est écoulée, l'action qui doit se produire après Une fois la minuterie expirée débute et un message "Minuterie terminée à: XX:XX" est affiché.

Les signaux sonores de fin de programme se font entendre (si activés), suivis des signaux à intervalles d'une minute.

5. Appuyer sur la touche CANCEL (annulation) du four sélectionné à tout moment pour annuler le programme en cours et retourner au menu principal ou ouvrir et fermer la porte du four pour supprimer l'affiche ou arrêter la tonalité.

Pour annuler seulement la minuterie du four :

1. Appuyer sur OVEN TIMER (minuterie du four).
2. Appuyer sur OFF (désactiver).

Pour modifier la minuterie du four :

1. Appuyer sur OVEN TIMER (minuterie du four).
2. Sélectionner la nouvelle durée.
3. Appuyer sur SET (réglage).

Réglage de la durée de cuisson différée et de l'heure d'arrêt :

Avant le réglage, s'assurer que l'horloge est réglée à l'heure exacte. Pour les fours doubles, s'assurer de sélectionner le four désiré avant de poursuivre.

REMARQUE : Pour les modèles de fours doubles, commencer par choisir le four du haut ou du bas sur le panneau de commande.

1. Sélectionner le mode de cuisson et la température du four désirés. Suivre les commandes à l'écran jusqu'à ce que le clavier de démarrage différé apparaisse.

REMARQUE : La mise en marche différée peut être utilisée avec la fonction Levée du pain, mais la température n'est pas modifiable.

2. Appuyer sur DELAY (différer).
3. Sélectionner l'heure de "Mise en marche de cuisson à".

REMARQUE : Les heures de mise en marche et de fin de la cuisson sont arrondies au plus près du quart d'heure (00:00, 00:15, 00:30 et 00:45).

4. Sélectionner l'heure "d'Arrêt de cuisson à".
5. Appuyer sur SET (réglage).

OU

Appuyer sur START NOW (démarrer maintenant) pour commencer la cuisson sans la différer.

La différence entre l'heure de "Mise en marche de cuisson à" et l'heure "d'Arrêt de cuisson" est utilisée comme minuterie de cuisson.

Lorsque l'heure de mise en marche est atteinte, le four s'allume automatiquement. Le compte à rebours en minutes apparaît sur l'affichage du four.

Une fois que la minuterie du four s'est écoulee, l'action qui doit se produire après Une fois la minuterie expirée débute et un message "Minuterie terminée à: XX:XX" est affiché.

Les signaux sonores de fin de programme se font entendre (si activés), suivis des signaux de rappel à intervalles d'une minute.

- Appuyer sur la touche CANCEL (annulation) du four sélectionné pour annuler le programme en cours et retourner au menu principal.

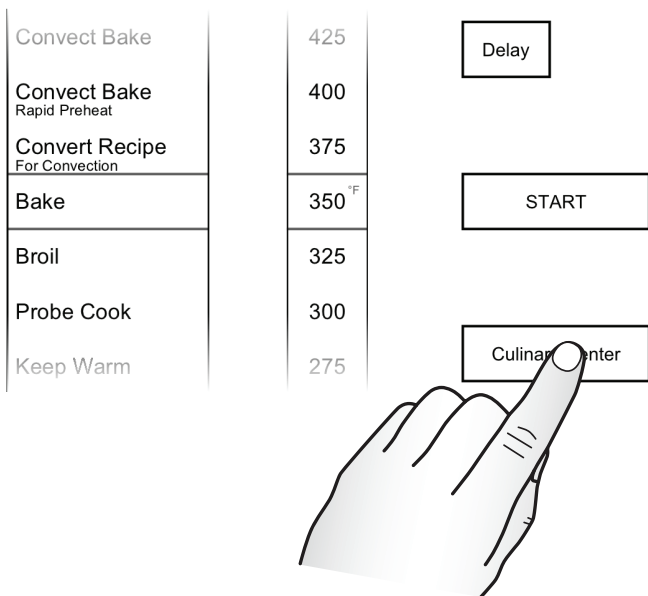
Si la porte du four est ouverte et fermée après la fin du programme, l'affichage est effacé et les signaux sonores de rappel s'arrêtent, mais le four continuera de fonctionner à la fin du comportement du programme sélectionné (Mntien chaud [maintien au chaud] est le comportement par défaut).

REMARQUE : Changer la température ou la minuterie du four après l'heure de mise en marche modifiera le comportement une fois la minuterie terminée et la fonction de maintien au chaud.

Centre culinaire

Le Centre culinaire renferme de multiples renseignements pour vous aider avec la cuisson ordinaire et la cuisson au four de plusieurs aliments. Lors de la programmation de ce mode, l'utilisateur fera des sélections telles que le type de viande, de légume, le niveau de cuisson favori, l'intensité à laquelle les aliments doivent être dorés et le type de plat en fonction des aliments. Des conseils et astuces utiles sont fournis à mesure que l'utilisateur navigue dans le menu. Le Centre culinaire procédera à des ajustements en fonction du degré de cuisson et du plat sélectionnés. Toutes les sélections entraînent le fonctionnement par intermittence des éléments et des ventilateurs appropriés en fonction des aliments programmés.

Faire cuire tous les aliments aux températures internes minimales de sécurité. Consommer de la viande, de la volaille, des fruits de mer, des crustacés, ou des œufs crus ou sous-cuits peut augmenter le risque de maladie d'origine alimentaire. Consulter le site Internet foodsafety.gov/keep/charts/mintemp.html pour une liste complète.



- À partir du menu principal, appuyer sur la touche CULINARY CENTER (centre culinaire).
- Sélectionner la catégorie d'aliments désirée.
- Sélectionner le type d'aliments désiré et appuyer sur NEXT (suivant).
- (Pour certains aliments) Sélectionner le degré de cuisson.
- Appuyer sur NEXT (suivant).

- Sélectionner le type d'ustensile de cuisson, puis toucher NEXT (suivant).
- Si le type d'aliments sélectionné requiert une méthode de cuisson avec sonde, passer à l'étape 8.

OU

Si le type d'aliments sélectionné requiert une méthode de cuisson avec minuterie, sélectionner la température d'origine, puis appuyer sur NEXT (suivant).

- Sélectionner le temps de cuisson d'origine, puis toucher NEXT (suivant).

REMARQUE : La fonction minuterie moyenne peut être utilisée à partir de ce point. Cette fonction utilise un temps de cuisson moyen basé sur les temps de cuisson les plus longs et courts saisis.

- Lire et respecter les conseils de cuisson pour assurer un rendement optimal du four, puis appuyer sur START (démarrer).

Appuyer sur la touche CANCEL (annulation) du four sélectionné à tout moment pour annuler le programme en cours et retourner au menu principal.

REMARQUE : Selon le type d'aliment sélectionné et l'état d'attachement de la sonde, une tonalité peut retentir et le four peut suggérer d'ajouter ou de retirer la sonde.

Modes du centre culinaire

Catégories d'aliment	Méthode de cuisson	Types d'aliments
Légumes	Sonde Minuté	Pommes de terre au four Légumes rôtis
Mets en sauce	Minuté	Casserole de poulet Lasagnes Casserole de patates douces Casserole de thon
Produits de boulangerie	Minuté	Biscuits Pain Brownies Gâteau Biscuits Petits gâteaux Fond de tarte
Rôtis	Sonde	Filet de bœuf Rôti de couronne d'agneau Pain de viande (cuisson par minuterie aussi disponible) Côte de bœuf Rôti de ronde
Volaille	Sonde	Poulet non désossé Poulet désossé Poulet à rôtir Canard Dinde
Porc	Sonde	Jambon Longe de porc
Fruits de mer	Sonde	Filet de poisson Darne de saumon/de thon Darne d'espadon

Programme d'autonettoyage

⚠ AVERTISSEMENT



Risque de brûlures

Ne pas toucher le four au cours du programme d'autonettoyage.

Garder les enfants loin du four au cours du programme d'autonettoyage.

Le non-respect de ces instructions peut causer des brûlures.

IMPORTANT : La santé de certains oiseaux est très sensible aux émanations qui surviennent durant le programme d'autonettoyage. L'exposition aux émanations peut entraîner la mort de certains oiseaux. Toujours déplacer les oiseaux dans une autre pièce fermée et bien aérée.

Procéder à l'autonettoyage du four avant qu'il ne devienne très sale. Les saletés intenses nécessitent un nettoyage plus long et dégagent plus de fumée.

Veiller à ce que la cuisine soit bien aérée pendant le programme d'autonettoyage afin d'aider à éliminer la chaleur, les odeurs et la fumée.

Ne pas obstruer le ou les événements du four durant le programme d'autonettoyage. L'air doit pouvoir circuler librement. Voir la section "Événements du four".

Ne pas nettoyer, frotter, endommager ou déplacer le joint d'étanchéité de la porte du four. Le joint de la porte est essentiel pour une bonne étanchéité.

Préparation du four :

- Sortir du four la lèchefrite, la grille et les ustensiles de cuisson au four et, sur certains modèles, la sonde thermométrique.
- Sortir les grilles du four pour les garder brillantes et pour qu'elles glissent facilement. Voir la section "Nettoyage général" pour plus de renseignements.
- Enlever tout papier d'aluminium du four; celui-ci risquerait de brûler ou de fondre et d'endommager le four.
- Nettoyer manuellement l'intérieur de la porte et une zone de 1 1/2 po (3,8 cm) sur le pourtour du cadre de la cavité du four, en prenant soin de ne pas déplacer ni plier le joint d'étanchéité. Cette section ne devient pas assez chaude au cours du programme d'autonettoyage pour pouvoir éliminer la saleté. Ne pas laisser d'eau, de nettoyant, etc. pénétrer dans les fentes du cadre de la porte. Nettoyer avec un chiffon humide.
- Essuyer toute saleté décollée afin de réduire la fumée et d'éviter les dommages. À des températures élevées, les aliments réagissent avec la porcelaine. Cette réaction peut causer des taches, des attaques, des piqûres ou de légères taches blanches. Ceci est normal et n'affecte pas la performance de cuisson.

Comment fonctionne le programme

IMPORTANT : Le chauffage et le refroidissement de la porcelaine sur l'acier dans le four peuvent causer une décoloration, une perte de lustre, des fissures minuscules et des craquements.

Le programme d'autonettoyage utilise des températures très élevées, brûlant les saletés pour les réduire en cendre.

Les durées de nettoyage suggérées sont de 3 h pour les saletés légères, 4 h pour les saletés moyennes, et 5 h pour les saletés moyennes à intenses.

Lorsque le four a complètement refroidi, retirer la cendre avec un chiffon humide. Afin d'éviter de briser le verre, ne pas appliquer de chiffon humide et froid sur la partie interne du hublot de la porte avant qu'il n'ait complètement refroidi.

Les lampes du four ne fonctionnent pas durant le programme d'autonettoyage.

REMARQUE : Le four possède un moteur de ventilateur de refroidissement à 2 vitesses. Pendant le programme d'autonettoyage, les ventilateurs fonctionneront à la vitesse la plus élevée pour augmenter le flux d'air et faciliter l'évacuation de l'air chaud par les événements du four. Une augmentation du bruit peut être constatée pendant et après le programme d'autonettoyage jusqu'au refroidissement du four.

Démarrage du programme d'autonettoyage :

Avant l'autonettoyage, s'assurer que la porte est complètement fermée sinon elle ne se verrouillera pas et le programme ne commencera pas.

1. Pour les fours simples, appuyer sur autonettoyage. Pour les fours doubles, appuyer sur TOOLS (outils), sélectionner autonettoyage, puis appuyer sur le four désiré à nettoyer.
2. Sélectionner la durée désirée/le niveau de saleté, puis appuyer sur NEXT (suivant).
3. Lire les instructions à l'écran, puis appuyer sur NEXT (suivant).
4. Suivre les instructions à l'écran. Le four invite l'appui sur une série de touches pour confirmer le programme d'autonettoyage.

Le four verrouillera la porte. Ouvrir la porte à ce moment annulera le programme d'autonettoyage. L'heure de mise en marche et d'arrêt apparaît sur l'affichage du four.

Lorsque le programme est terminé, un compte à rebours indiquant le nombre de temps à attendre avant que la porte ne se déverrouille s'affichera. La porte ne se déverrouille pas tant que le four n'a pas refroidi.

REMARQUE : La porte du four se verrouille avant le début de la minuterie.

Les signaux sonores de fin de programme se font entendre (si activés), suivis des signaux de rappel à intervalles d'une minute.

Pour arrêter le programme d'autonettoyage à tout moment :

Appuyer sur la touche CANCEL (annulation) correspondant au four approprié. Si la température du four est trop élevée, la porte reste verrouillée. Elle ne se déverrouille pas tant que le four n'a pas refroidi.

Nettoyage général

IMPORTANT : Avant le nettoyage, s'assurer que toutes les commandes sont désactivées et que le four est froid. Toujours suivre les instructions figurant sur les étiquettes des produits de nettoyage. Pour plus de renseignements, vous pouvez consulter la section Foire Aux Questions (FAQ) de notre site Web sur www.jennair.com. Au Canada, consulter la section service à la clientèle à www.jennair.ca.

L'usage de savon, d'eau et d'un chiffon doux ou d'une éponge est suggéré en priorité, sauf indication contraire.

ACIER INOXYDABLE (sur certains modèles)

Afin d'éviter d'endommager les surfaces en acier inoxydable, ne pas utiliser de tampons à récurer savonneux, de nettoyeurs abrasifs, de crème à polir pour table de cuisson, de tampons en laine d'acier, de chiffons de lavage rêches ou d'essuie-tout abrasifs.

Méthode de nettoyage :

Frotter dans la direction du grain pour éviter les dommages.

- Nettoyeur affresh® pour acier inoxydable — numéro de pièce W10355016 (non fournie) : Voir la section "Accessoires" pour plus de renseignements.

EXTÉRIEUR DE LA PORTE DU FOUR

Méthode de nettoyage :

- Nettoyeur à vitre et chiffon doux ou éponge : Appliquer le nettoyeur à vitre sur un chiffon doux ou une éponge, et non directement sur le tableau.
- Nettoyeur affresh® pour cuisine et appareils ménagers — numéro de pièce W10355010 (non fourni) : Voir la section "Accessoires" pour plus de renseignements.

INTÉRIEUR DE LA PORTE DU FOUR

Méthode de nettoyage :

- Programme d'autonettoyage : Pour un nettoyage optimal de la porte, essayer tout dépôt avec une éponge humide avant de lancer le programme.

TABLEAU DE COMMANDE

Afin d'éviter d'endommager le tableau de commande, ne pas utiliser de nettoyeurs abrasifs, de tampons en laine d'acier, de chiffons de lavage rêches ou d'essuie-tout abrasifs.

Méthode de nettoyage :

- Nettoyeur à vitre et chiffon doux ou éponge : Appliquer le nettoyeur à vitre sur un chiffon doux ou une éponge et non directement sur le tableau.
- Nettoyeur affresh® pour cuisine et appareils ménagers — numéro de pièce W10355010 (non fourni) : Voir la section "Accessoires" pour plus de renseignements.

CAVITÉ DU FOUR

Ne pas utiliser de nettoyeurs à four.

Les éclaboussures alimentaires doivent être nettoyées lorsque le four a refroidi. À des températures élevées, les aliments réagissent avec la porcelaine. Cette réaction peut causer des taches, des attaques, des piqûres ou de légères taches blanches.

Méthode de nettoyage :

- Programme d'autonettoyage : Voir d'abord "Programme d'autonettoyage".

GRILLES DU FOUR

Méthode de nettoyage :

- Tampon en laine d'acier

Lampes du four

Les lampes du four sont des ampoules à halogène de 120 V, 40 W maximum. Elles s'allument à l'ouverture de la porte du four. Sur les modèles à double four, les lampes supérieure et inférieure s'allument lorsque l'une des deux portes est ouverte. Les lampes du four ne fonctionnent pas durant le programme d'autonettoyage.

Lorsque la porte est fermée, appuyer sur la touche Oven Light (lampe du four) appropriée pour allumer la lampe du four.

Remplacement :

Avant de procéder au remplacement, s'assurer que le four est éteint et froid.

1. Déconnecter la source de courant électrique.
2. Ôter le couvercle en verre de la lampe en saisissant le bord avant et en tirant pour l'écartier du four.



3. Ôter l'ampoule de la douille.
4. Remplacer l'ampoule en la manipulant avec un mouchoir de papier ou des gants de coton. Pour éviter d'endommager ou de réduire la longévité de l'ampoule neuve, ne pas toucher l'ampoule avec les doigts nus.
5. Réinstaller le couvercle de l'ampoule en l'emboîtant dans la paroi.
6. Rétablir l'alimentation électrique.

IMPORTANT : Ne pas utiliser d'ampoule d'une puissance supérieure à 40 watts.

Porte du four

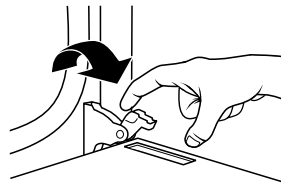
IMPORTANT : Pour éviter de briser la vitre de la porte du four :

- Ne pas fermer la porte du four si les grilles ne sont pas complètement insérées dans la cavité du four ou lorsque les ustensiles de cuisson dépassent à l'avant d'une grille du four.
- Ne pas entreposer d'objets sur la vitre de la porte du four.
- Ne pas frapper la vitre avec des ustensiles de cuisson ou d'autres objets.
- Ne pas essuyer les vitres avant que le four n'ait complètement refroidi.

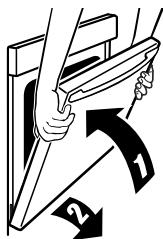
Il n'est pas suggéré d'enlever la porte du four dans le cadre d'une utilisation normale. Toutefois, si la dépose est nécessaire, s'assurer que le four est éteint et froid. Ensuite, suivre les instructions ci-dessous. La porte du four est lourde.

Démontage :

1. Ouvrir la porte du four complètement.
2. Relever le loquet de charnière de chaque côté.



3. Fermer la porte du four aussi loin que possible.
4. Soulever la porte du four en la retenant de chaque côté.
Continuer de maintenir la porte du four fermée et la dégager du châssis de la porte du four.



Remplacement :

1. Insérer les deux bras de suspension dans la porte.



2. Ouvrir la porte du four.
Vous devriez entendre un déclic lors de la mise en place de la porte.
3. Remettre les leviers des charnières à la position verrouillée. Vérifier que la porte s'ouvre et se ferme facilement. Si tel n'est pas le cas, répéter la procédure de dépose et de repose de la porte.

Dépannage

Essayer d'abord les solutions suggérées ici. Pour obtenir de l'aide ou des conseils qui permettront peut-être d'éviter une intervention de dépannage, consulter la page de garantie de ce manuel et balayer le code QR avec votre appareil mobile, ou visiter le site Web producthelp.jennair.com. Au Canada, visiter le site Internet <http://www.jennair.ca>.

Il est possible d'adresser ses commentaires ou questions par courrier à l'adresse ci-dessous :

Aux États-Unis :

Jenn-Air Brand Home Appliances
Customer eXperience Center
553 Benson Road
Benton Harbor, MI 49022-2692

Au Canada :

Jenn-Air Brand Home Appliances
Customer eXperience Centre
200 – 6750 Century Ave.
Mississauga, Ontario L5N 0B7

N'oubliez pas d'indiquer dans votre correspondance un numéro de téléphone où l'on peut vous joindre dans la journée.

Problème	Causes et solutions possibles
Rien ne fonctionne	Un fusible est-il grillé ou un disjoncteur s'est-il déclenché? Remplacer le fusible ou réenclencher le disjoncteur. Si le problème persiste, appeler un électricien.
Le four ne fonctionne pas	Une mise en marche différée a-t-elle été réglée? Voir la section "Cuisson minutée". Le verrouillage des boutons a-t-il été réglé? Voir la section "Verrouillage des boutons". Le mode Sabbat a-t-il été programmé? Voir la section "Mode Sabbat". Sur les modèles à double four, l'un des fours est-il en cours d'autonettoyage? Lorsqu'un four effectue un programme d'autonettoyage, l'autre four ne peut être ni réglé ni allumé.
La température du four est trop élevée ou trop basse	Le calibrage de la température du four a-t-il besoin d'être ajusté? Voir la section "Commande de la température du four".
De l'air chaud sort de l'évent du four	Il est normal que de l'air chaud sorte de l'évent du four. Durant un programme d'autonettoyage, le débit d'air augmente. Le ventilateur de refroidissement peut fonctionner aussi bien durant un programme du four qu'après la fin du programme, ce qui évacue l'air chaud par l'évent du four.
Des messages s'affichent	L'afficheur indique-t-il une lettre suivie d'un chiffre? Si une lettre suivie d'un chiffre réapparaît, faire un appel de service.
Le ventilateur fonctionne pendant la fonction de cuisson au four	Il est normal que le ventilateur de convection et l'élément de convection se mettent en marche durant la fonction de cuisson au four pour améliorer la performance et la distribution de chaleur.
Longues durées de préchauffage	Certains programmes ne nécessitent pas de préchauffage. Voir les instructions de programme pour connaître les recommandations en ce qui concerne le préchauffage. La plupart des programmes préchauffent à 350°F (177°C) en 12 à 17 minutes. Cette durée augmente pour des températures plus élevées. Pour réduire la durée de préchauffage, on peut retirer les grilles inutilisées avant de préchauffer le four.
Le programme d'autonettoyage ne fonctionne pas	La porte du four est-elle ouverte? Fermer la porte du four complètement. La fonction a-t-elle été entrée? Voir la section "Programme d'autonettoyage". Une mise en marche différée du programme d'autonettoyage a-t-elle été réglée? Voir la section "Programme d'autonettoyage". Sur les modèles à double four, l'un des fours est-il en cours d'autonettoyage? Lorsqu'un four effectue un programme d'autonettoyage, l'autre four ne peut pas être réglé sur un programme d'autonettoyage.

Problème	Causes et solutions possibles
<p>La cuisson au four ne produit pas les résultats prévus</p>	<p>La température correcte est-elle réglée? Vérifier la recette dans un livre de recettes fiable.</p> <p>Le calibrage de la température du four est-il réglé correctement? Voir la section “Commande de la température du four”.</p> <p>Le four a-t-il été préchauffé? Voir la section “Cuisson au four et rôtissage”.</p> <p>Utilise-t-on un ustensile de cuisson au four approprié? Voir la section “Ustensiles de cuisson”.</p> <p>Les grilles sont-elles installées correctement? Voir la section “Positionnement des grilles et ustensiles de cuisson au four”.</p> <p>Existe-t-il une circulation d’air appropriée autour des ustensiles de cuisson? Voir la section “Positionnement des grilles et ustensiles de cuisson au four”.</p> <p>La pâte est-elle distribuée uniformément dans le plat? Vérifier que la pâte est répartie uniformément dans le plat.</p> <p>Utilise-t-on une durée de cuisson appropriée? Ajuster la durée de cuisson.</p> <p>La porte du four a-t-elle été ouverte pendant la cuisson? L’ouverture de la porte pour vérifier la cuisson laisse la chaleur du four s’échapper et peut nécessiter des durées de cuisson plus longues.</p> <p>Les articles cuits au four sont-ils trop bruns à la base? Déplacer la grille à une position plus élevée dans le four.</p> <p>Les bords des croûtes de tarte ont-ils doré trop tôt? Utiliser du papier d’aluminium pour couvrir le bord de la croûte ou réduire la température de cuisson du four.</p>
<p>Brunissage inégal des articles cuits au four</p>	<p>Voir la section “Positionnement des grilles et ustensiles de cuisson au four”.</p> <p>Centrer le ou les ustensiles de cuisson sur la grille et laisser un minimum de 2" (5 cm) de dégagement autour de tous les côtés du ou des ustensiles de cuisson.</p> <p>Laisser un espace d’au moins 2" (5 cm) entre la porte du four et le bord avant des ustensiles de cuisson.</p>
<p>Le ventilateur produit plus de bruit pendant les programmes de cuisson où la porte est ouverte</p>	<p>Si la porte du four est ouverte pendant un mode de cuisson pendant environ 60 secondes, le ventilateur de refroidissement commence à fonctionner à une plus grande vitesse. Il peut produire plus de bruit pendant cette période. Lorsque la porte du four est fermée, le ventilateur reprendra sa basse vitesse après environ 60 secondes.</p>

Accessoires

Aux États-Unis, pour les accessoires, visiter notre site Web www.jennair.com ou nous contacter au **1 800 JENNAIR (1 800 536-6247)**.
 Au Canada, visiter le site Web www.jennair.ca ou nous contacter au **1 800 JENNAIR (1 800 536-6247)**.

Lingettes nettoyantes pour acier inoxydable affresh®

(modèles en acier inoxydable)
 Commander le numéro de pièce W10355049

Nettoyant pour acier inoxydable affresh®

(modèles en acier inoxydable)
 Commander le numéro de pièce W10355016

Nettoyant pour cuisine et appareils ménagers affresh®

Commander le numéro de pièce W10355010

Grille de four résistante à capacité maximale de 27"

Commander le numéro de pièce W10554529

Grille de four plate coulissante de 27"

Commander le numéro de pièce W10861837

Grille de four résistante à capacité maximale de 30"

Commander le numéro de pièce W10554526

Grille de four plate coulissante de 30"

Commander le numéro de pièce W10860776

Lèchefrite et grille en porcelaine

Commander le numéro de pièce 4396923

Lèchefrite et grille de rôtissage de qualité supérieure

Commander le numéro de pièce W10123240

GARANTIE LIMITÉE DES APPAREILS DE CUISSON JENN-AIR®

ATTACHEZ ICI VOTRE REÇU DE VENTE. UNE PREUVE D'ACHAT EST OBLIGATOIRE POUR OBTENIR L'APPLICATION DE LA GARANTIE.

Lorsque vous appelez le centre d'expérience de la clientèle, veuillez garder à disposition les renseignements suivants :

- Nom, adresse et numéro de téléphone
- Numéros de modèle et de série
- Une description claire et détaillée du problème rencontré
- Une preuve d'achat incluant le nom et l'adresse du marchand ou du détaillant

SI VOUS AVEZ BESOIN DE SERVICE :

1. Avant de nous contacter pour obtenir un dépannage, veuillez déterminer si des réparations sont nécessaires pour votre produit. Certains problèmes peuvent être résolus sans intervention de dépannage. Prenez quelques minutes pour parcourir la section Dépannage ou Résolution de problèmes du guide d'utilisation et d'entretien, scannez le code QR ci-contre avec votre téléphone intelligent pour accéder à des ressources supplémentaires, ou rendez-vous sur le site <https://www.jennair.ca>.
2. Tout service sous garantie doit être effectué exclusivement par nos fournisseurs de dépannage autorisés Jenn-Air. Aux É.-U. et au Canada, dirigez toutes vos demandes de service sous garantie au



<https://www.jennair.ca>

Centre d'expérience de la clientèle Jenn-Air
1-800-JENNAIR (1-800-536-6247).

Si vous résidez à l'extérieur du Canada et des 50 États des États-Unis, contactez votre marchand Jenn-Air autorisé pour déterminer si une autre garantie s'applique.

GARANTIE LIMITÉE DE CINQ ANS

CE QUI EST COUVERT

GARANTIE LIMITÉE DE DEUX ANS (PIÈCES ET MAIN-D'ŒUVRE)

Pendant deux ans à compter de la date d'achat, lorsque ce gros appareil ménager est installé, utilisé et entretenu conformément aux instructions jointes au produit ou fournies avec, la marque Jenn-Air de Whirlpool Corporation ou Whirlpool Canada, LP (ci-après désignées "Jenn-Air") paiera pour les pièces de rechange spécifiées par l'usine et pour la main-d'œuvre pour corriger les vices de matériaux ou de fabrication qui existaient déjà lorsque ce gros appareil ménager a été acheté. S'il est remplacé, l'appareil sera couvert pour la période restant à courir de la garantie limitée d'un an du produit d'origine.

GARANTIE LIMITÉE DE LA TROISIÈME À LA CINQUIÈME ANNÉE (CERTAINS COMPOSANTS UNIQUEMENT - MAIND'ŒUVRE NON COMPRISE)

De la troisième à la cinquième année inclusivement à compter de la date d'achat initiale, lorsque ce gros appareil ménager est installé, utilisé et entretenu conformément aux instructions jointes au produit ou fournies avec, Jenn-Air paiera pour les pièces de rechange spécifiées par l'usine concernant les composants suivants pour corriger les défauts non esthétiques de matériau ou de fabrication desdites pièces qui empêchent le gros appareil de fonctionner et qui étaient déjà présentes lorsque ce gros appareil ménager a été acheté. La présente garantie est une garantie limitée de 5 ans sur les pièces énumérées ci-dessous et elle ne comprend pas la main-d'œuvre de réparation.

- Élément électrique
- Clavier tactile et microprocesseur
- Table de cuisson en vitrocéramique : en cas de bris d'origine thermique
- Commandes électroniques
- Tube magnétron
- Brûleurs à gaz scellés

LE SEUL ET EXCLUSIF RECOURS DU CLIENT DANS LE CADRE DE LA PRÉSENTE GARANTIE LIMITÉE CONSISTE EN LA RÉPARATION PRÉVUE PAR LA PRÉSENTE. Le service doit être fourni par une compagnie de service désignée par Jenn-Air. Cette garantie limitée est valide uniquement aux États-Unis ou au Canada et s'applique exclusivement lorsque le gros appareil ménager est utilisé dans le pays où il a été acheté. La présente garantie limitée est valable à compter de la date d'achat initial par le consommateur. Une preuve de la date d'achat initial est exigée pour obtenir un dépannage dans le cadre de la présente garantie limitée.

CE QUI N'EST PAS COUVERT

1. Usage commercial, non résidentiel ou par plusieurs familles, ou non-respect des instructions de l'utilisateur, de l'opérateur ou des instructions d'installation.
2. Visite d'instruction à domicile pour montrer à l'utilisateur comment utiliser l'appareil.
3. Visites de service pour rectifier une installation ou un entretien fautifs du produit, une installation non conforme aux codes d'électricité ou de plomberie, ou la rectification de l'installation électrique ou de la plomberie du domicile (ex : câblage électrique, fusibles ou tuyaux d'arrivée d'eau du domicile).
4. Pièces consommables (ex : ampoules, batteries, filtres à air ou à eau, solutions de conservation, etc.).
5. Défauts ou dommage résultant de l'utilisation de pièces ou accessoires Jenn-Air non authentiques.
6. Conversion de votre produit du gaz naturel ou du gaz de pétrole liquéfié.
7. Dommages causés par : accident, mésusage, abus, incendie, inondations, catastrophe naturelle ou l'utilisation de produits non approuvés par Jenn-Air.
8. Réparations aux pièces ou systèmes dans le but de rectifier un dommage ou des défauts résultant d'une réparation, altération ou modification non autorisée faite à l'appareil.
9. Défauts d'apparence, notamment les éraflures, traces de choc, fissures ou tout autre dommage causés au fini de l'appareil ménager, à moins que ces dommages ne résultent de vices de matériaux ou de fabrication et ne soient signalés à Jenn-Air dans les 30 jours suivant la date d'achat.
10. Décoloration, rouille ou oxydation des surfaces résultant d'environnements caustiques ou corrosifs incluant des concentrations élevées de sel, un haut degré d'humidité ou une exposition à des produits chimiques.
11. Perte d'aliments ou de médicaments due à la défaillance du produit.
12. Enlèvement ou livraison. Ce produit est conçu pour être réparé au domicile.
13. Frais de déplacement et de transport pour le dépannage/la réparation dans une région éloignée où une compagnie de service Jenn-Air autorisée n'est pas disponible.
14. Retrait ou réinstallation d'appareils inaccessibles ou de dispositifs préinstallés (ex : garnitures, panneaux décoratifs, plancher, meubles, îlots de cuisine, plans de travail, panneaux de gypse, etc.) qui entravent le dépannage, le retrait ou le remplacement du produit.
15. Service et pièces pour des appareils dont les numéros de série et de modèle originaux ont été enlevés, modifiés ou ne peuvent pas être facilement identifiés.

Le coût d'une réparation ou d'un remplacement dans le cadre de ces circonstances exclues est à la charge du client.

CLAUSE D'EXONÉRATION DE RESPONSABILITÉ AU TITRE DES GARANTIES IMPLICITES

LES GARANTIES IMPLICITES, Y COMPRIS LES GARANTIES APPLICABLES DE QUALITÉ MARCHANDE OU D'APTITUDE À UN USAGE PARTICULIER, SONT LIMITÉES À UN AN OU À LA PLUS COURTE PÉRIODE AUTORISÉE PAR LA LOI. Certains États et provinces ne permettent pas de limitation sur la durée des garanties implicites de qualité marchande ou d'aptitude à un usage particulier, de sorte que la limitation ci-dessus peut ne pas être applicable dans votre cas. Cette garantie vous confère des droits juridiques spécifiques et vous pouvez également jouir d'autres droits qui peuvent varier d'une juridiction à l'autre.

EXONÉRATION DE RESPONSABILITÉ DANS LES DOMAINES NON COUVERTS PAR LA GARANTIE

Jenn-Air décline toute responsabilité au titre de la qualité, de la durabilité ou en cas de dépannage ou de réparation nécessaire sur ce gros appareil ménager autre que les responsabilités énoncées dans la présente garantie. Si vous souhaitez une garantie plus étendue ou plus complète que la garantie limitée fournie avec ce gros appareil ménager, adressez-vous à Jenn-Air ou à votre détaillant pour obtenir les modalités d'achat d'une garantie étendue.

LIMITATION DES RECOURS; EXCLUSION DES DOMMAGES FORTUITS OU INDIRECTS

LE SEUL ET EXCLUSIF RECOURS DU CLIENT DANS LE CADRE DE LA PRÉSENTE GARANTIE LIMITÉE CONSISTE EN LA RÉPARATION PRÉVUE PAR LA PRÉSENTE. JENN-AIR N'ASSUME AUCUNE RESPONSABILITÉ POUR LES DOMMAGES FORTUITS OU INDIRECTS. Certains États et certaines provinces ne permettent pas l'exclusion ou la limitation des dommages fortuits ou indirects de sorte que ces limitations et exclusions peuvent ne pas être applicables dans votre cas. Cette garantie vous confère des droits juridiques spécifiques et vous pouvez également jouir d'autres droits qui peuvent varier d'une juridiction à l'autre.

12/14